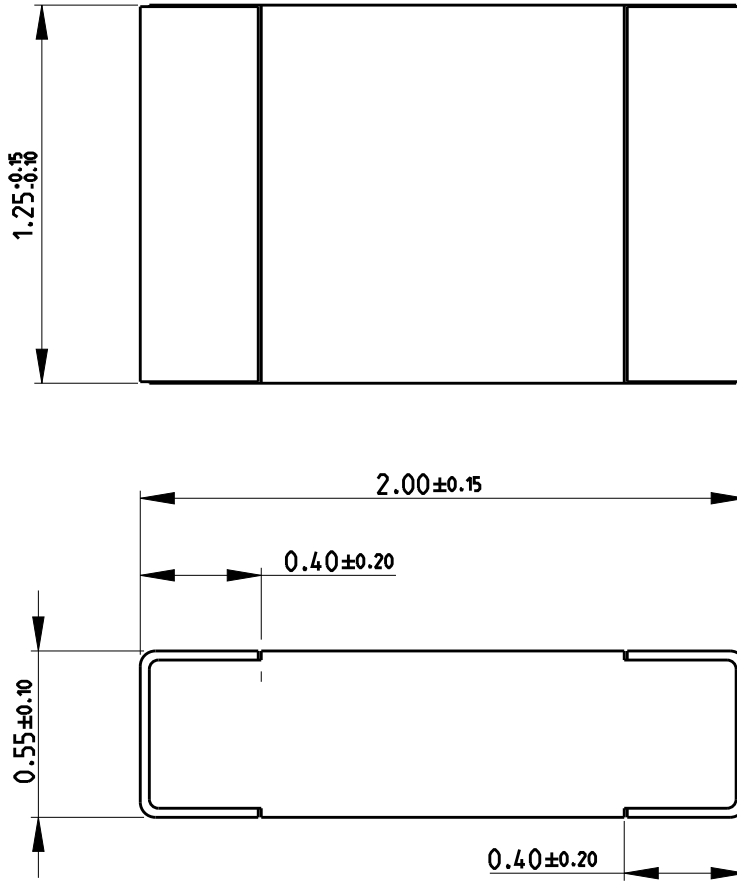


REVISIONS

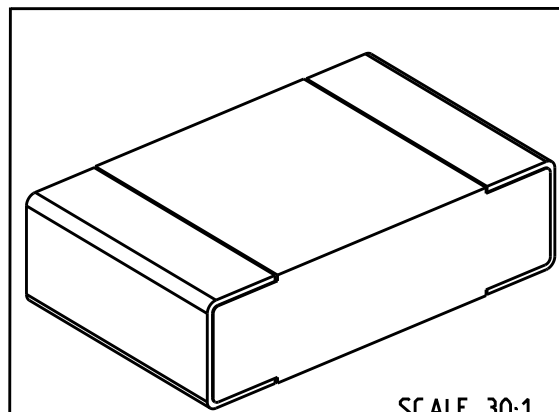
P	LTR	DESCRIPTION	DATE	DWN	APVD
	A	NEW DRAWING	01JUL2019	SR	AP



NOTES:

- FOR FURTHER INFORMATION SEE DATA SHEET FOR CRGS SERIES SMD ANTI-SURGE THICK FILM CHIP RESISTOR

RoHS Compliant



SCALE 30:1

RELEASED FOR PUBLICATION

ALL RIGHTS RESERVED.

THIS DRAWING IS UNPUBLISHED.

© COPYRIGHT copyright\_date BY -

DIMENSIONS:		DWN	01JUL2019	MATERIAL	-	FINISH	-
mm		SUPREETH R					
TOLERANCES UNLESS OTHERWISE SPECIFIED:		CHK	01JUL2019				
0 PLC	±0.5	ALLAN.P		<b>SMD ANTI-SURGE THICK FILM CHIP RESISTOR SERIES CRGS 0805</b>			
1 PLC	±0.2	APVD	01JUL2019				
2 PLC	±0.1	ALLAN.P		NAME			
3 PLC	±	PRODUCT SPEC	-				
4 PLC	±	APPLICATION SPEC	-	SIZE    CAGE CODE    DRAWING NO    RESTRICTED TO			
ANGLES	±5°	WEIGHT	-				
		CUSTOMER DRAWING		A 4	00779	C-2176244	-
				SCALE	40:1	SHEET	1 OF 1
						REV	A