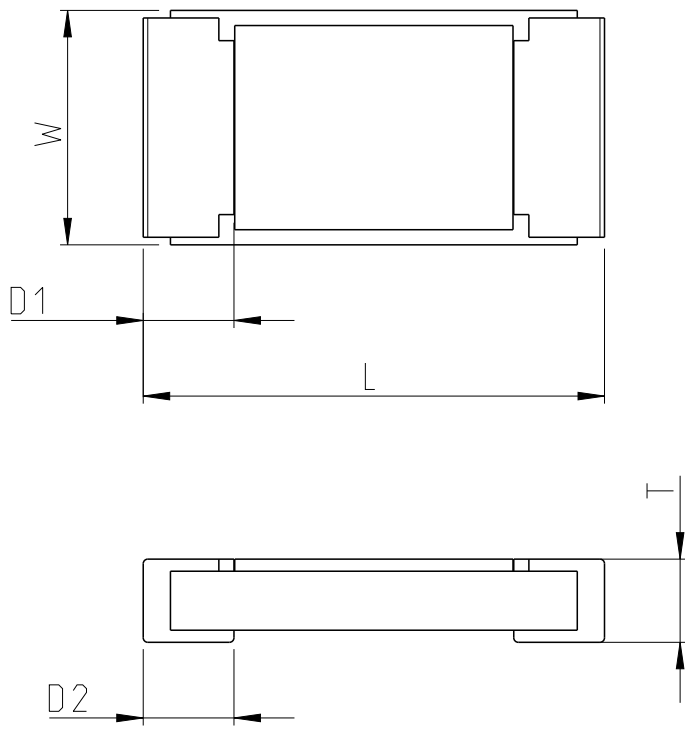


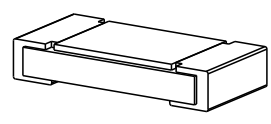
LOC	DIST	REVISIONS					
-	-	P	LTR	DESCRIPTION	DATE	DWN	APVD
			BA	NEW DRAWING	06FEB2013	KR	TN



TYPE	SIZE (Inch)	RESISTANCE RANGE (mΩ)	L	W	T	D1	D2
TLM2B	1206	10 - 29	3.05±0.15	1.55±0.15	0.58±0.15	0.50±0.25	0.90±0.25
		30 - 100	3.05±0.15	1.55±0.15	0.55±0.15	0.50±0.25	0.60±0.25

RoHS Compliant

FOR FURTHER INFORMATION SEE DATA SHEET FOR CURRENT SENSING METAL CHIP RESISTOR - TYPE TLM SERIES



THIS DRAWING IS UNPUBLISHED. BY - ALL RIGHTS RESERVED. © COPYRIGHT 20

DIMENSIONS: mm	DWN RAGHAVENDRA K 06FEB2013	MATERIAL -	FINISH -
TOLERANCES UNLESS OTHERWISE SPECIFIED:	CHK ALLAN P 06FEB2013		
0 PLC ±	APVD TONY N 06FEB2013		
1 PLC ±	PRODUCT SPEC -	NAME CURRENT SENSING METAL CHIP RESISTOR - TYPE TLM 1206	
2 PLC ±	APPLICATION SPEC -	SIZE A 4	CAGE CODE 00779
3 PLC ±	WEIGHT 0.011 Gram	DRAWING NO C=2176156	RESTRICTED TO -
4 PLC ±		SCALE 20:1	SHEET 1 OF 1
ANGLES ±	Customer Drawing		REV BA