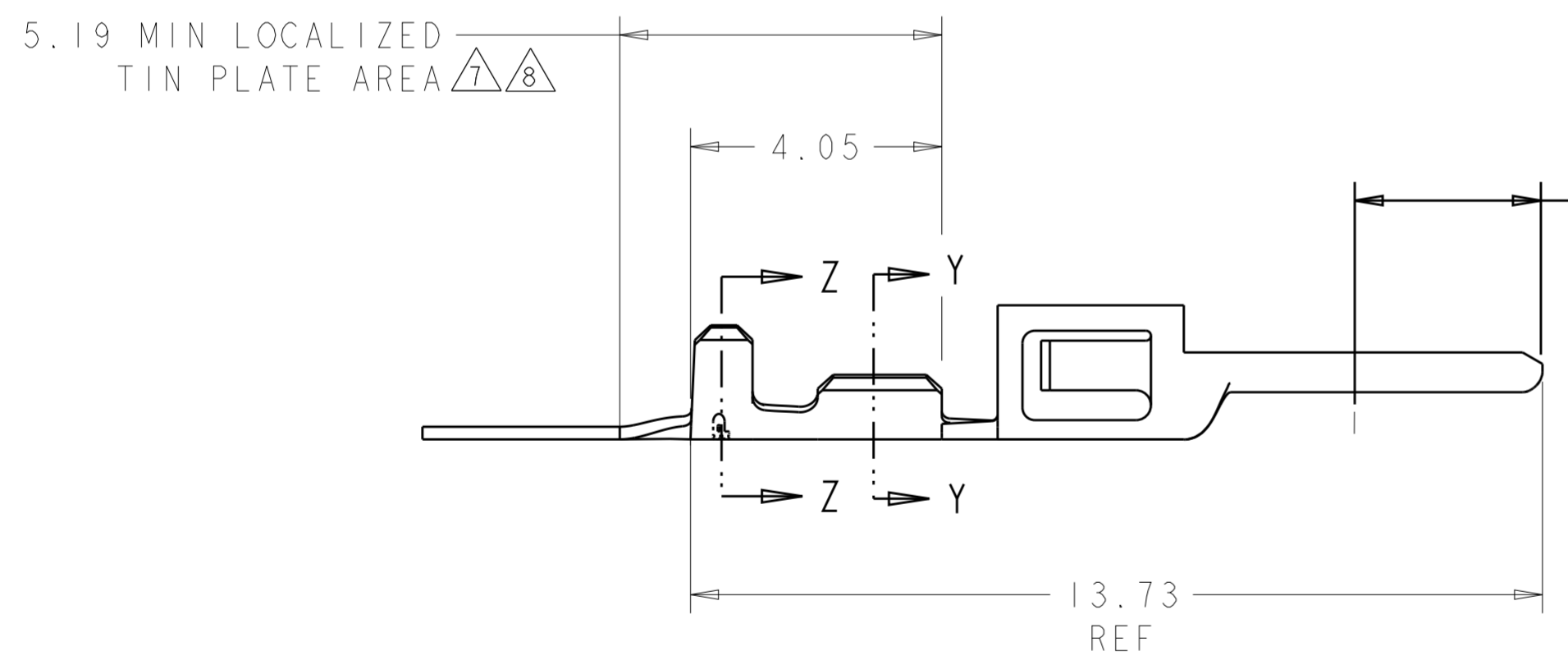
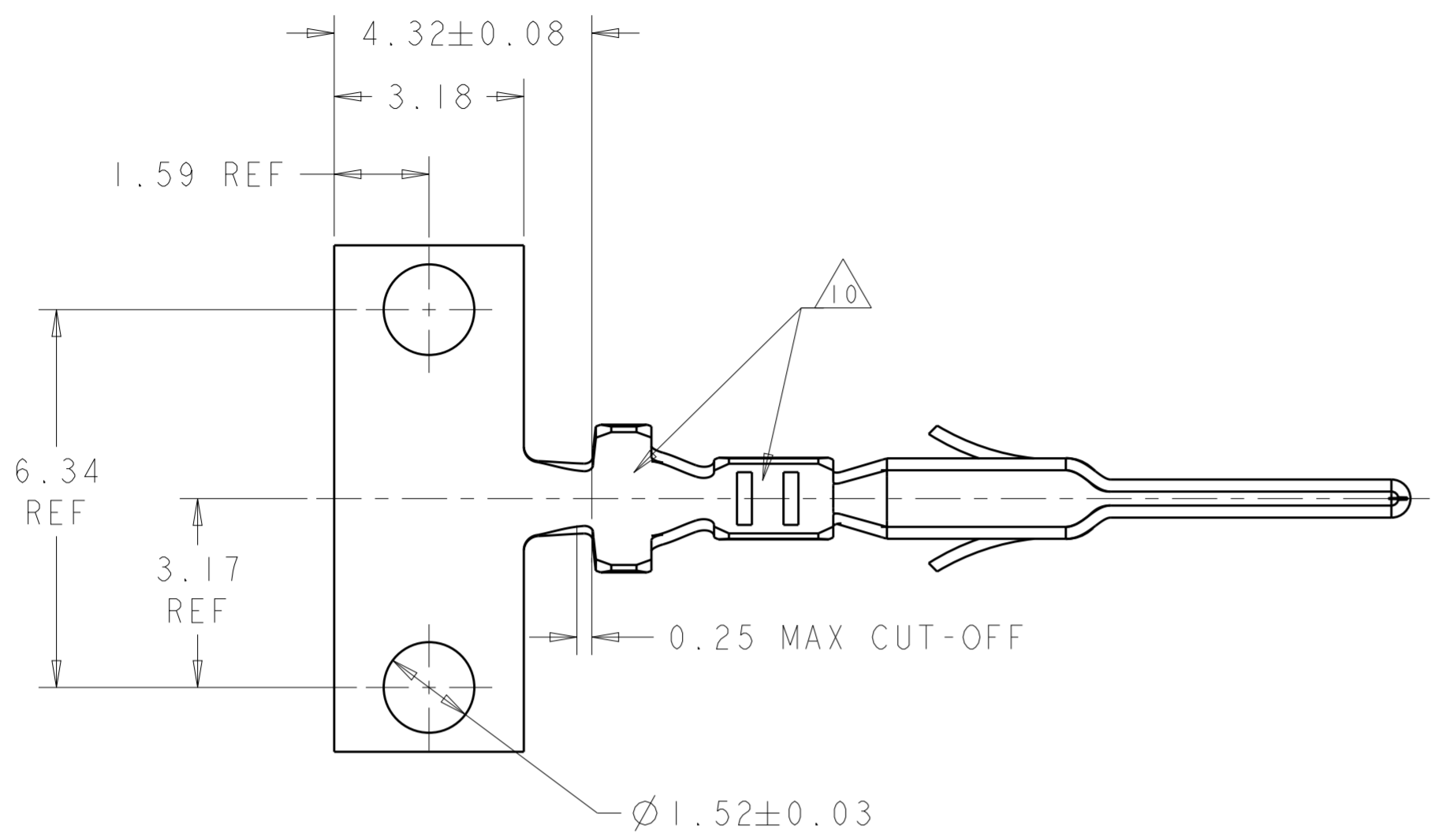
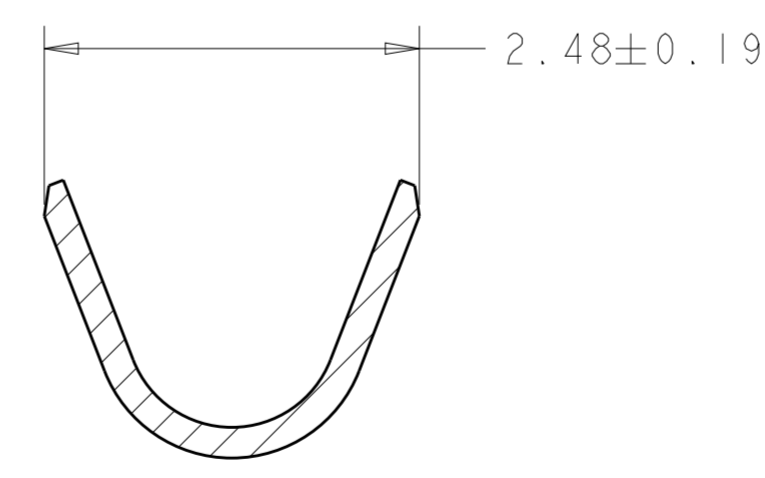


THIS DRAWING IS UNPUBLISHED. RELEASED FOR PUBLICATION 20
 © COPYRIGHT 20 BY - ALL RIGHTS RESERVED.

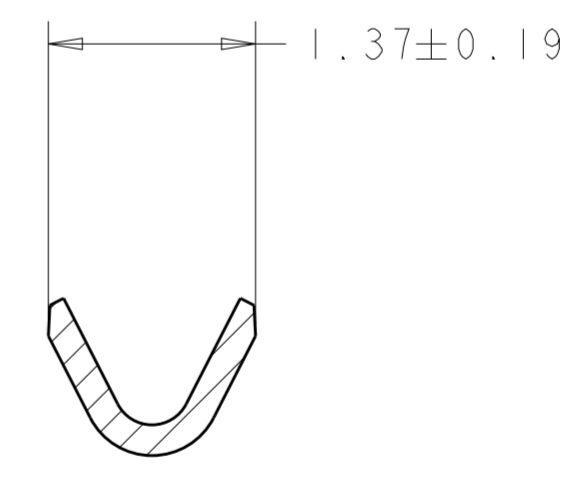
| REVISIONS | | | | |
|-----------|-----|---------------------------|-----------|-------|
| P | LTR | DESCRIPTION | DATE | APVD |
| | DI | REVISED PER ECO-19-013973 | 16SEP2019 | RS WS |
| | | | | |
| | | | | |



3.00 MIN LOCALIZED GOLD PLATE AREA $\triangle 7$ $\triangle 8$

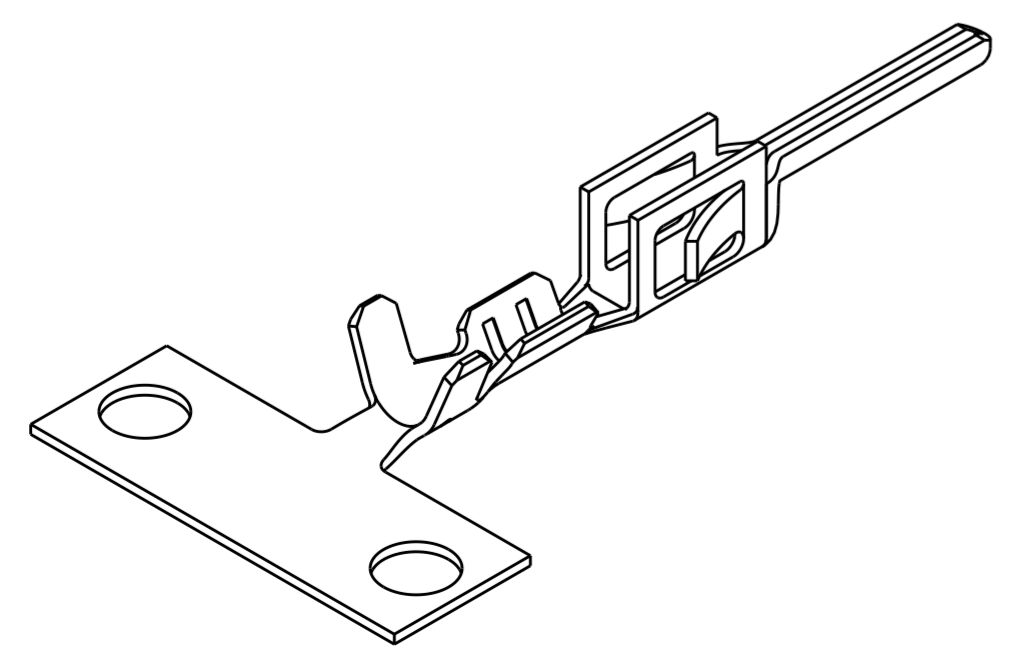


SECTION Z-Z
SCALE 20:1



SECTION Y-Y
SCALE 20:1

- $\triangle 1$ 2.54-6.35 μm MIN BRIGHT TIN/LEAD ENTIRE STOCK OVER 1.27-3.81 μm MIN NICKEL ENTIRE STOCK.
- $\triangle 2$ 0.38 μm MIN GOLD IN LOCALIZED GOLD PLATE AREA, 2.54-6.35 μm MIN BRIGHT TIN/LEAD IN LOCALIZED TIN/LEAD PLATE AREA, BOTH OVER 1.27-3.81 μm MIN NICKEL ON ENTIRE STOCK.
- $\triangle 3$ 0.76 μm MIN GOLD IN LOCALIZED GOLD PLATE AREA, 2.54-6.35 μm MIN BRIGHT TIN/LEAD IN LOCALIZED TIN/LEAD PLATE AREA, BOTH OVER 1.27-3.81 μm MIN NICKEL ON ENTIRE STOCK.
- 4. WIRE RANGE 26-30 AWG.
- 5. INSULATION RANGE 0.89-1.52
- $\triangle 6$ 2.54-6.35 μm MIN BRIGHT TIN ENTIRE STOCK OVER 1.27-3.81 μm MIN NICKEL ENTIRE STOCK.
- $\triangle 7$ 0.38 μm MIN GOLD IN LOCALIZED GOLD PLATE AREA, 2.54-6.35 μm MIN BRIGHT TIN IN LOCALIZED TIN PLATE AREA, BOTH OVER 1.27-3.81 μm MIN NICKEL ON ENTIRE STOCK.
- $\triangle 8$ 0.76 μm MIN GOLD IN LOCALIZED GOLD PLATE AREA, 2.54-6.35 μm MIN BRIGHT TIN IN LOCALIZED TIN PLATE AREA, BOTH OVER 1.27-3.81 μm MIN NICKEL ON ENTIRE STOCK.
- $\triangle 9$ NOTE DELETED.
- $\triangle 10$ TIN PLATING THICKNESS INSIDE WIRE AND INSULATION BARRELS TO BE 1.27 μm MIN.



| | | |
|---------------|---------------|-------------|
| | $\triangle 8$ | 1-794609-2 |
| | $\triangle 7$ | 1-794609-1 |
| | $\triangle 6$ | 1-794609-0 |
| SUPERSEDED BY | $\triangle 3$ | 794609-3 |
| SUPERSEDED BY | $\triangle 2$ | 794609-2 |
| SUPERSEDED BY | $\triangle 1$ | 794609-1 |
| REMARKS | FINISH | PART NUMBER |

| | | | | |
|--|----------------|------------------------------|--|--|
| THIS DRAWING IS A CONTROLLED DOCUMENT. | | DWN W J RUDY 29AUG2000 | TE Connectivity | |
| DIMENSIONS: mm | | CHK W DAVIS 29AUG2000 | | |
| TOLERANCES UNLESS OTHERWISE SPECIFIED: | | APVD W DAVIS 29AUG2000 | NAME PLUG CONTACT, CRIMP SNAP, 26-30 AWG, MICRO MATE-N-LOK(TM) | |
| 0 PLC | ± | PRODUCT SPEC | SIZE | |
| 1 PLC | ± | 108-1836 | CAGE CODE | |
| 2 PLC | ±0.13 | APPLICATION SPEC | DRAWING NO | |
| 3 PLC | ± | 114-13000 | RESTRICTED TO | |
| 4 PLC | ± | WEIGHT | A200779 | |
| ANGLES | ± | | C-794609 | |
| FINISH | - | CUSTOMER DRAWING | SCALE 10:1 SHEET 1 OF 1 REV DI | |
| MATERIAL | 0.20 THK BRASS | | | |