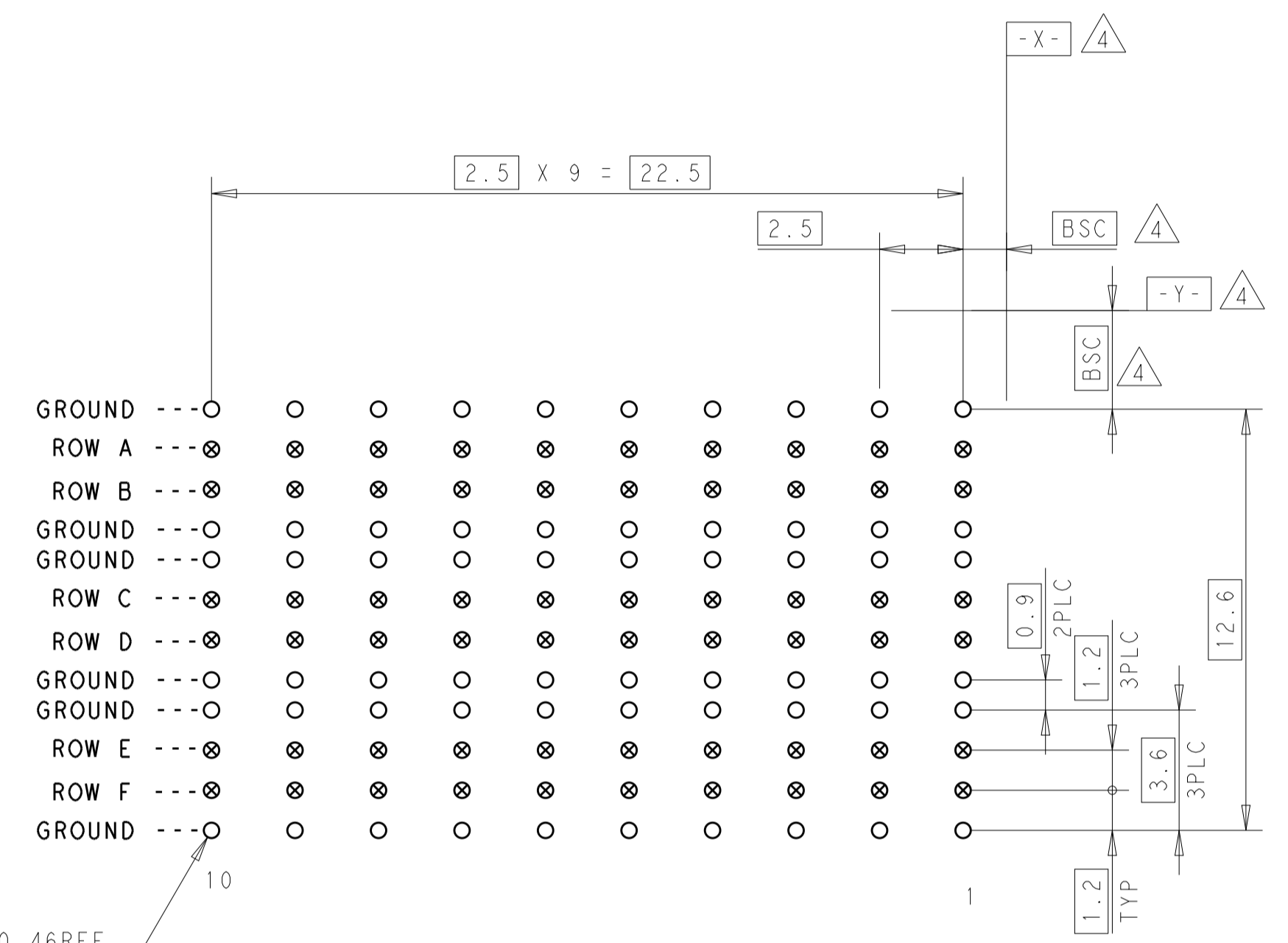
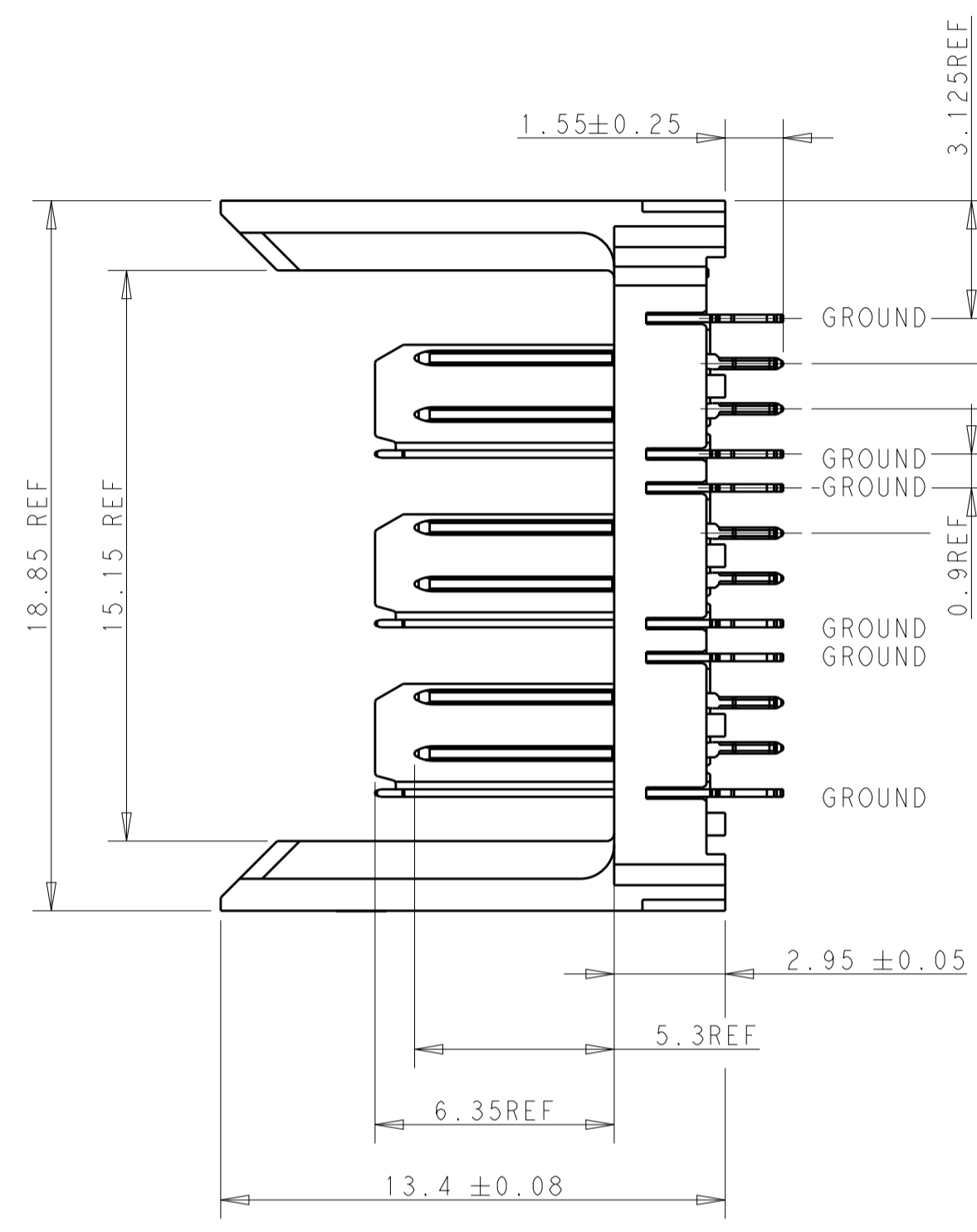
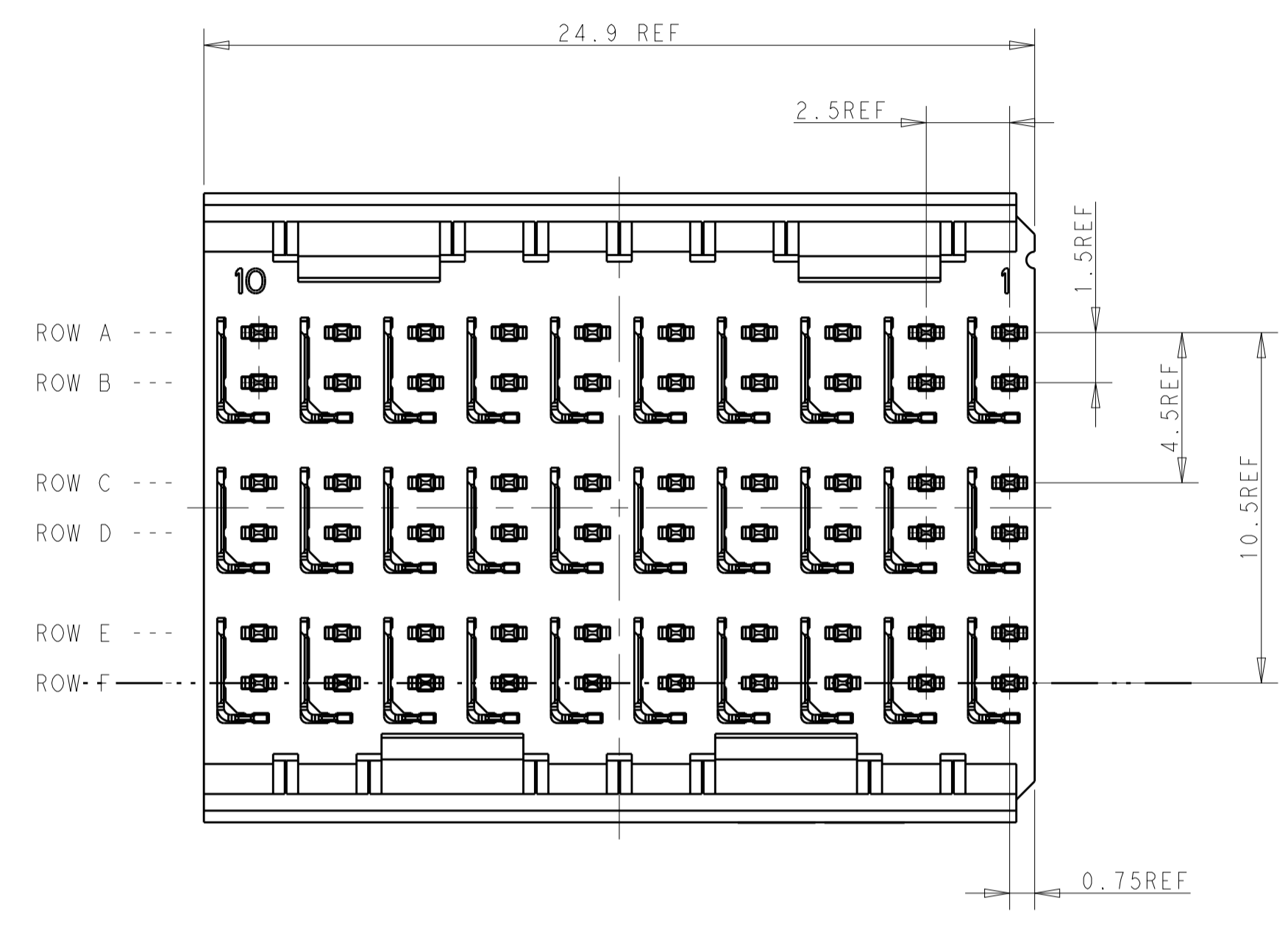
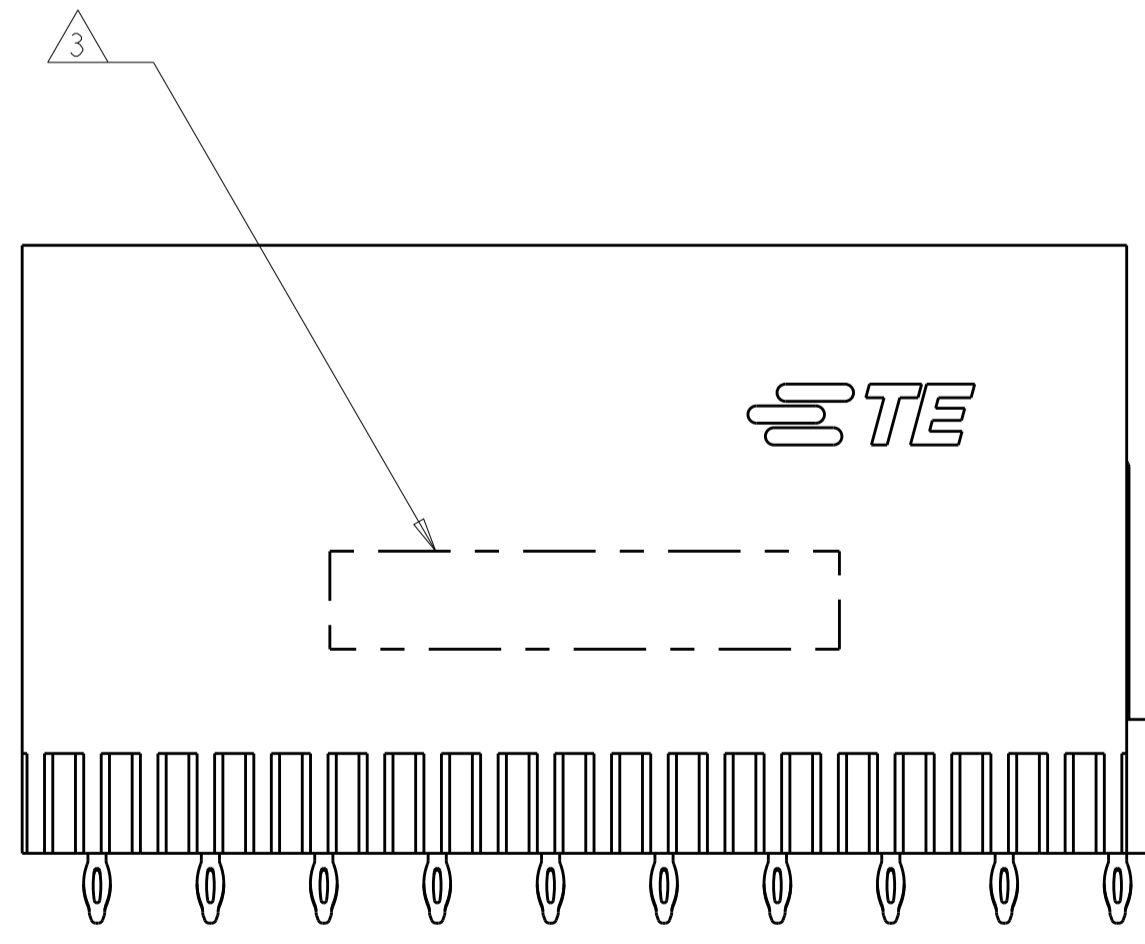


REVISONS		DATE	DMN	APVD
A	INITIAL RELEASE	4JAN2013	D.S	A.C
B	PER ECR-13-008109	20MAY2013	D.S	M.Y
C	PER ECO-18-007505	15MAY2018	D.S	H.L



Ø0.46 REF
 Ø0.05 X Y
 ALL PLATED HOLES.

RECOMMENDED PCB LAYOUT
 VIEW FROM COMPONENT SIDE
 SCALE 6:1



- 1 MATERIAL:
CONTACT AND SHIELD: PHOSPHOR BRONZE
HOUSING: THERMALPLASTIC,UL 94V-0
- 2 FINISH: SIGNAL AND GROUND CONTACTS:
MATING AREA: MEETS THE PERFORMANCE REQUIREMENTS OF
PRODUCT SPECIFICATION 108-2055-1; BASED ON TELCORDIA
GR-1217-CORE, APPLICATIONS IN UNCONTROLLED ENVIRONMENTS
COMPLIANT PIN AREA: 0.5 um MIN MATTE
TIN OVER BASE PLATING
- 3 CONNECTOR MARKED WITH PART NUMBER AND DATE CODE
- 4 DATUMS AND BASIC DIMENSIONS ESTABLISHED BY CUSTOMER
- 5 CONTACT AREA LUBRICATED WITH BELLCORE
APPROVED LUBRICANT. TECHNICAL REFERENCE:
GR-1217-CORE, ISSUE 1, NOVEMBER 1995.
- 6 RECOMMENDED THRU HOLE DIAMETER AND PLATING THICKNESSES PLEASE
REFER TO APPLICATION SPEC 114-13059

2170245-1
 PART NO.

DIMENSIONS: mm 		TOLERANCES UNLESS OTHERWISE SPECIFIED: 0-PLC ± 1-PLC ±0.25 2-PLC ± 3-PLC ± 4-PLC ± 5-PLC ± 6-PLC ± FINISH		DWN DAVID SHEN 29MAR2012 CHK SANDERS YAN 29MAR2012 APVD ALEY CAI 29MAR2012		NAME ASSEMBLY DRAWING 3 PAIR, 10 COLUMN, VERTICAL HM ZD+, HEADER	
MATERIAL: 1		FINISH: 2		PRODUCT SPEC 108-2055-1		SIZE CAGE CODE DRAWING NO A1 C=2170245	
CUSTOMER DRAWING		WEIGHT: 114-13059		RESTRICTED TO		SCALE 6:1 SHEET 1 OF 1 REV C	