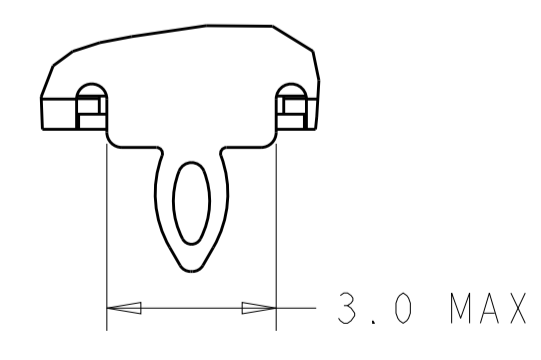
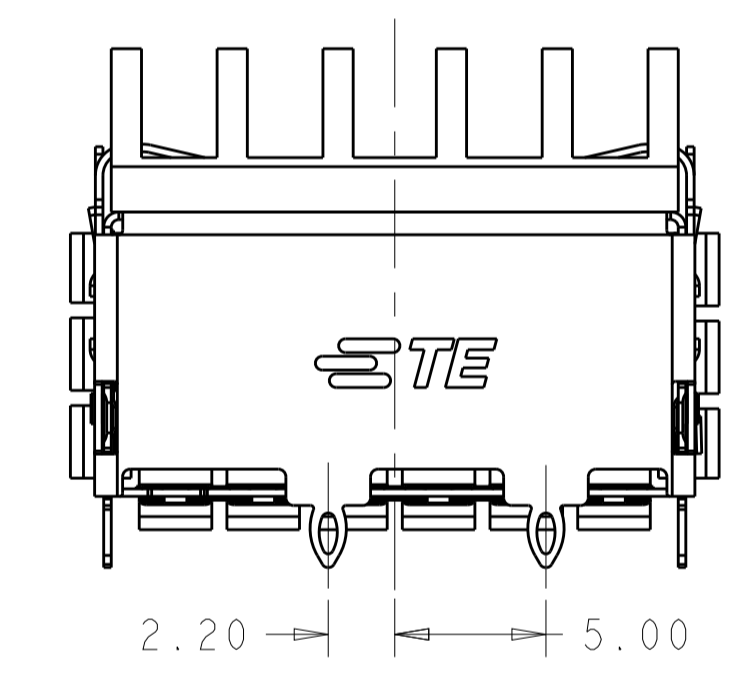
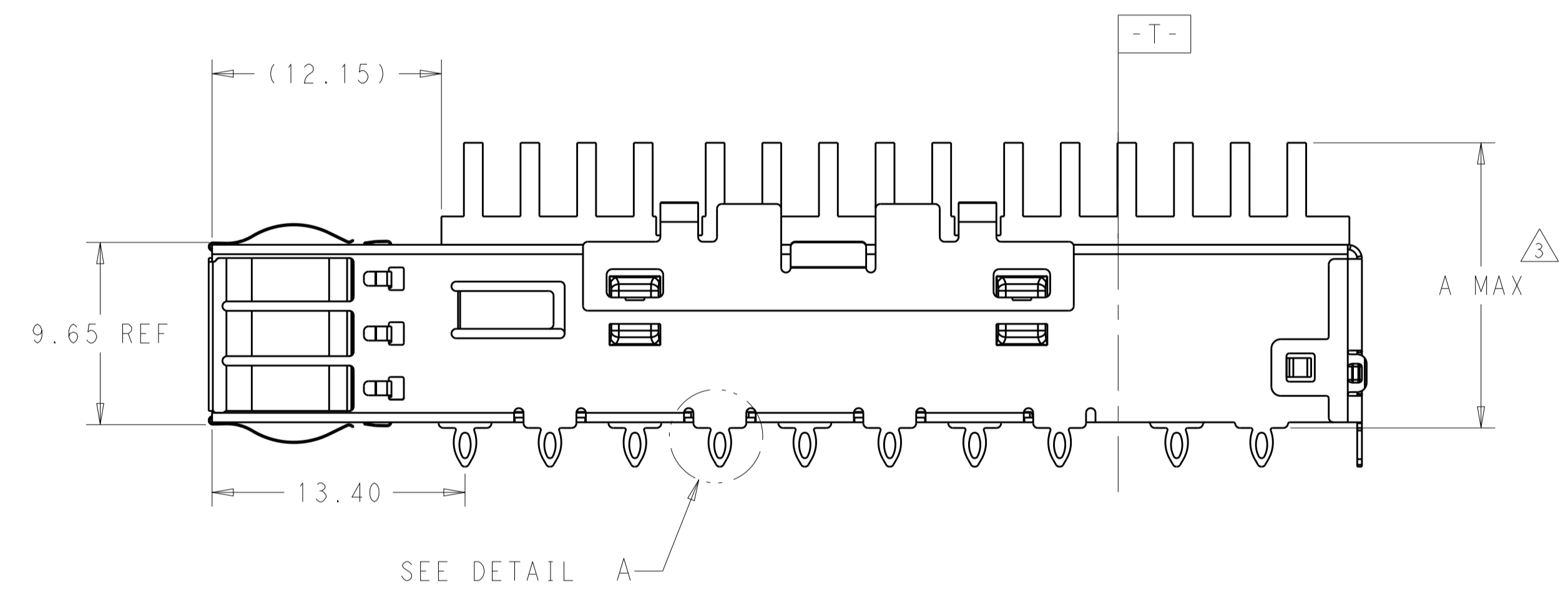
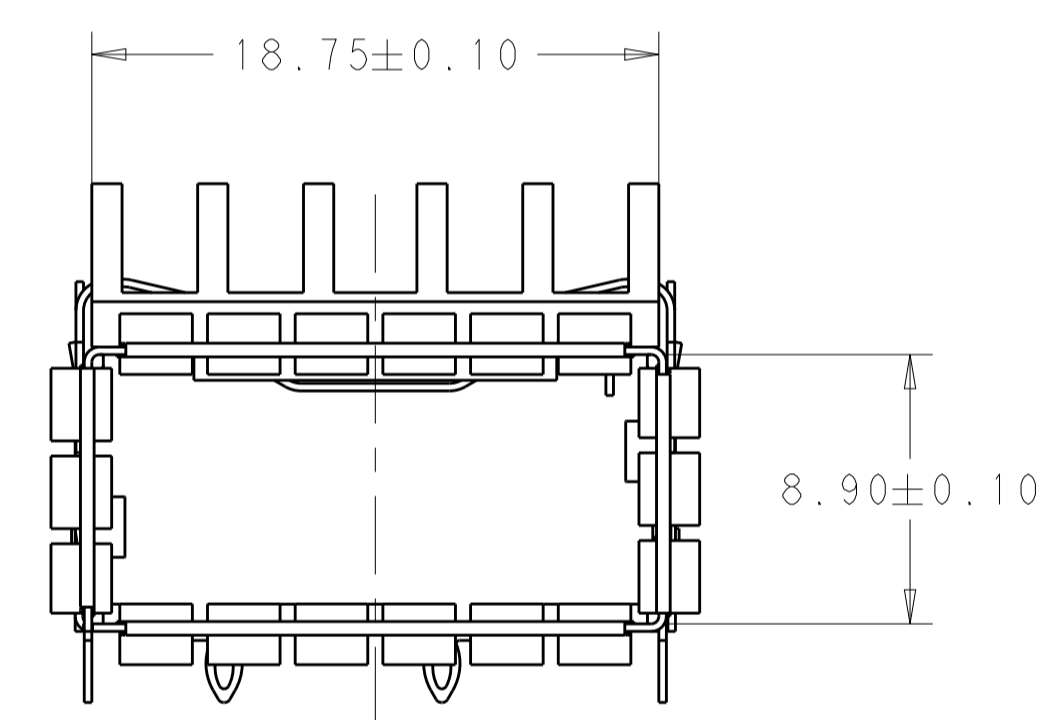
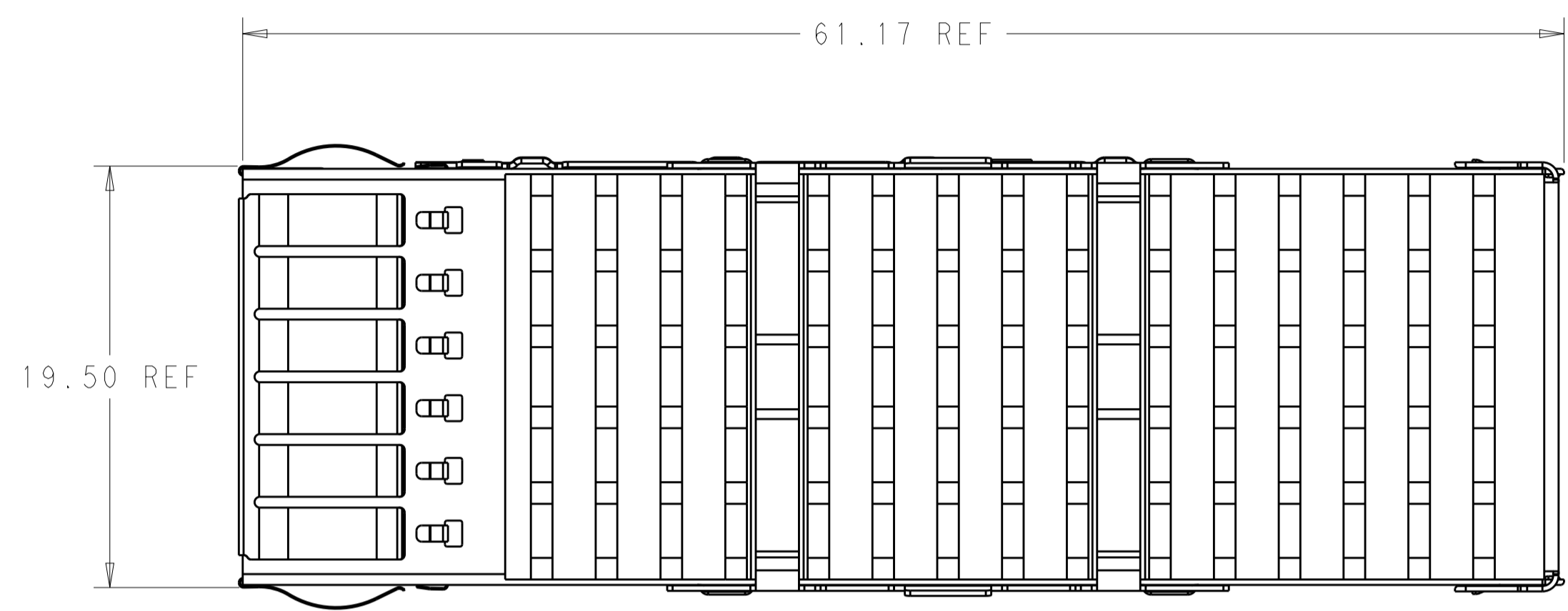
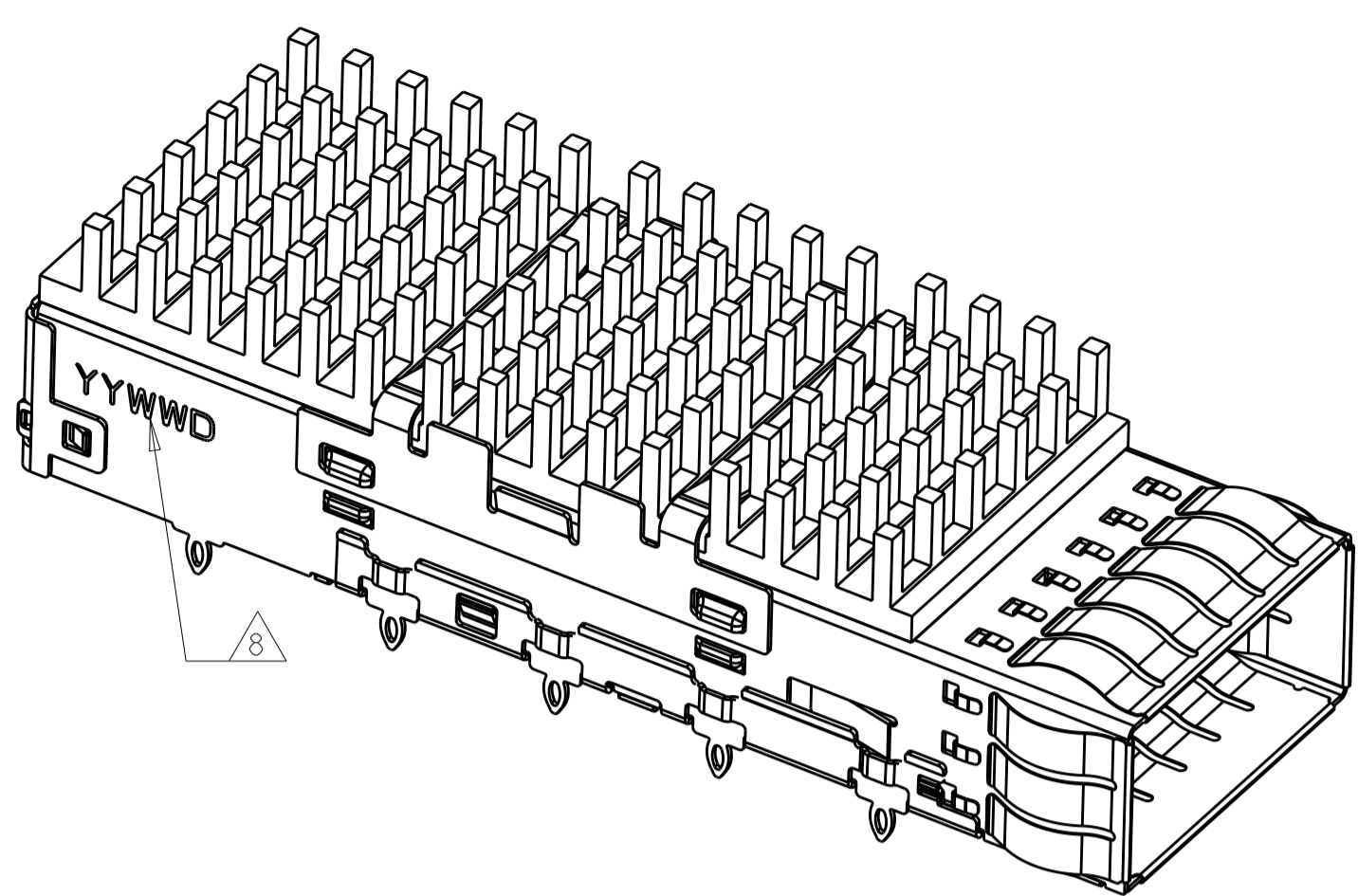
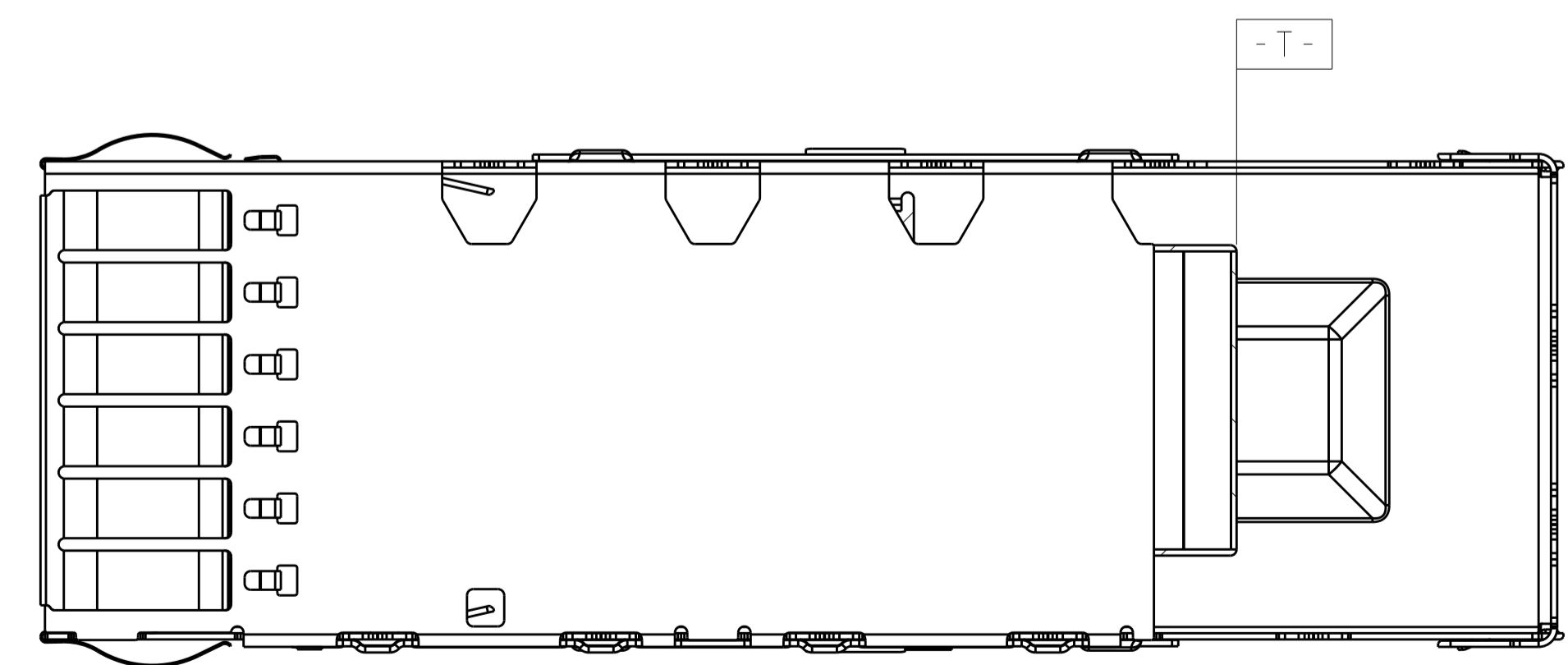


LOC		DIST		REVISIONS			
P	LTN	DESCRIPTION	DATE	DMN	APVD		
C		REVISED PER ECO-18-018754	06JUL2018	JY	SH		
D		REVISED PER ECR-19-007706	13MAY2019	IT	SH		
E		REVISED PER ECO-19-015514	11OCT2019	JW	SH		



DETAIL A  
SCALE 8:1



- MATERIAL:  
CAGE MATERIAL : 0.25 THICK NICKEL SILVER.  
SPRING MATERIAL: COPPER ALLOY  
HEAT SINK MATERIAL: ALUMINUM  
CLIP MATERIAL: STAINLESS STEEL
- FINISH:  
SPRING: NICKEL PLATING  
HEAT SINK: BLACK ANODIZE
- DIMENSION APPLIES WITH MODULE INSTALLED IN THE CAGE TO TOP OF HEAT SINK.
- REFERENCE APPLICATION SPEC 114-32023 FOR RECOMMENDED DRILL HOLE DIAMETER AND PLATING THICKNESS.
- DATUM AND BASIC DIMENSIONS ESTABLISHED BY CUSTOMERS.
- MINIMUM PC BOARD THICKNESS : SINGLES SIDED: 1.57 MIN  
DOUBLE SIDED: 3.00 MIN
- DATUM -A- IS TOP SURFACE OF THE HOST BOARD.
- DATE CODE (YYWW) MARKED APPROXIMATELY AS SHOWN
- MATES WITH QSFP28 MSA COMPATIBLE TRANSCEIVER.

13.7	2	WITH	PCI	5-2170704-1
12.6	1	WITHOUT	CUSTOMIZED	1-2170704-7
12.6	2	WITHOUT	CUSTOMIZED	1-2170704-6
19.0	1	WITHOUT	CUSTOMIZED	1-2170704-5
19.0	0	WITHOUT	CUSTOMIZED	1-2170704-4
13.7	2	WITHOUT	CUSTOMIZED	1-2170704-3
13.7	2	WITHOUT	CUSTOMIZED	1-2170704-2
13.7	2	WITHOUT	PCI	1-2170704-1
19.0	2	WITHOUT	CUSTOMIZED	1-2170704-0
23.0	1	WITHOUT	NETWORKING	2170704-9
16.0	1	WITHOUT	SAN	2170704-8
13.7	1	WITHOUT	PCI	2170704-7
23.0	0	WITHOUT	NETWORKING	2170704-6
16.0	0	WITHOUT	SAN	2170704-5
13.7	0	WITHOUT	PCI	2170704-4
23.0	2	WITHOUT	NETWORKING	2170704-3
16.0	2	WITHOUT	SAN	2170704-2
13.7	2	WITHOUT	PCI	2170704-1
DIM A	#	INSULATING REAR PINS	APPLICATION	PART NUMBER
		TAPE OPITION		

2170704-2 AS SHOWN

THIS DRAWING IS A CONTROLLED DOCUMENT. DWG: JASON YANG 23SEP2013  
CHK: SEAN HAN 23SEP2013

**STE** TE Connectivity

NAME: CAGE ASSEMBLY, QSFP28, THRU BEZEL WITH EMI SPRING FINGER HEAT SINK

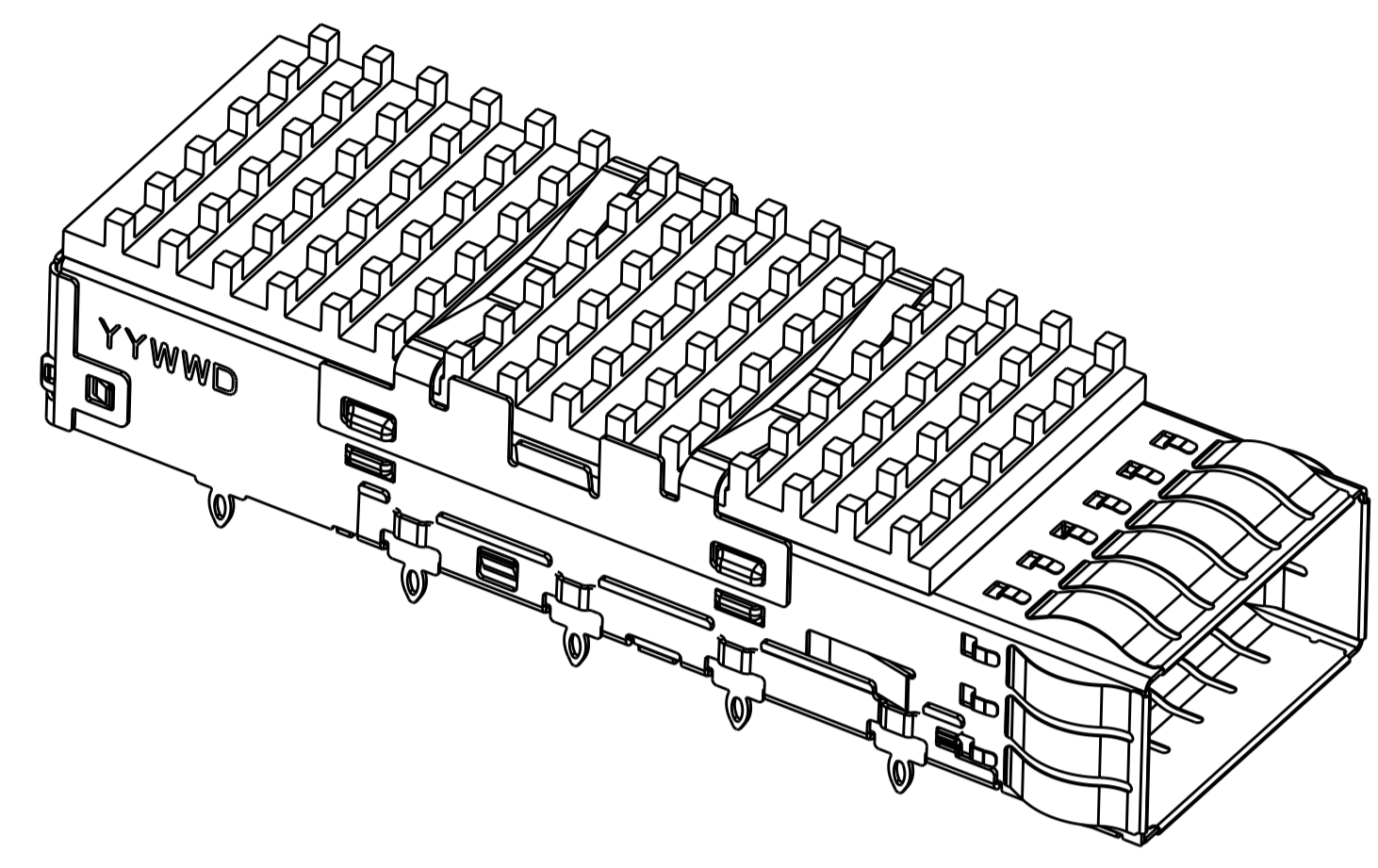
PRODUCT SPEC: 108-19428  
APPLICATION SPEC: 114-32023

SIZE: A1 CAGE CODE: 00779 DRAWING NO: 2170704  
RESTRICTED TO: -

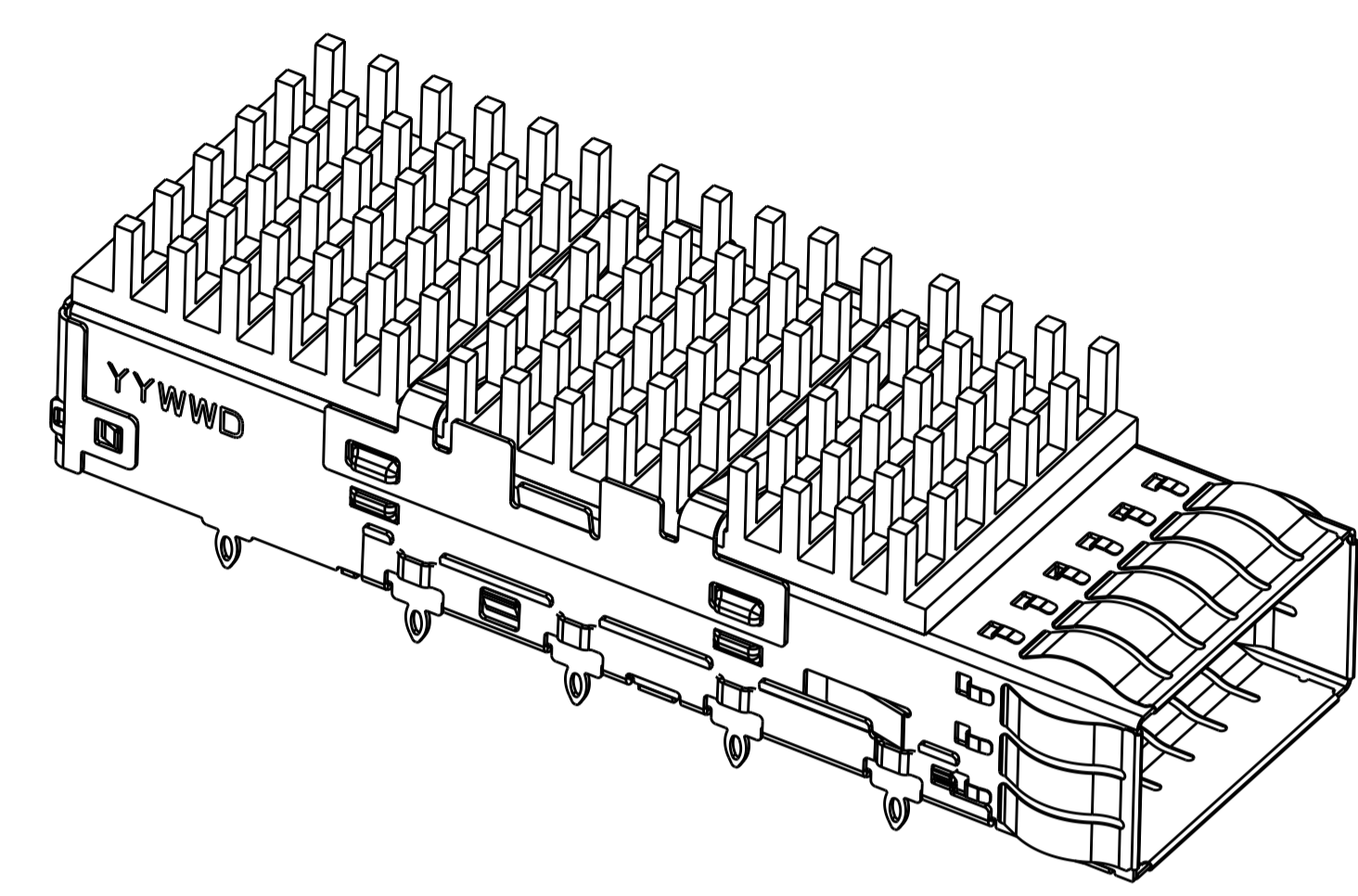
MATERIAL: - FINISH: - WEIGHT: -  
CUSTOMER DRAWING SCALE: 2:1 SHEET 1 OF 8 REV E

LOC		DIST		REVISIONS			
				REV	DATE	BY	APPV
-	-	-	-	-	-	-	-
-	-	-	-	-	SEE SHEET 1	-	-
-	-	-	-	-	-	-	-
-	-	-	-	-	-	-	-

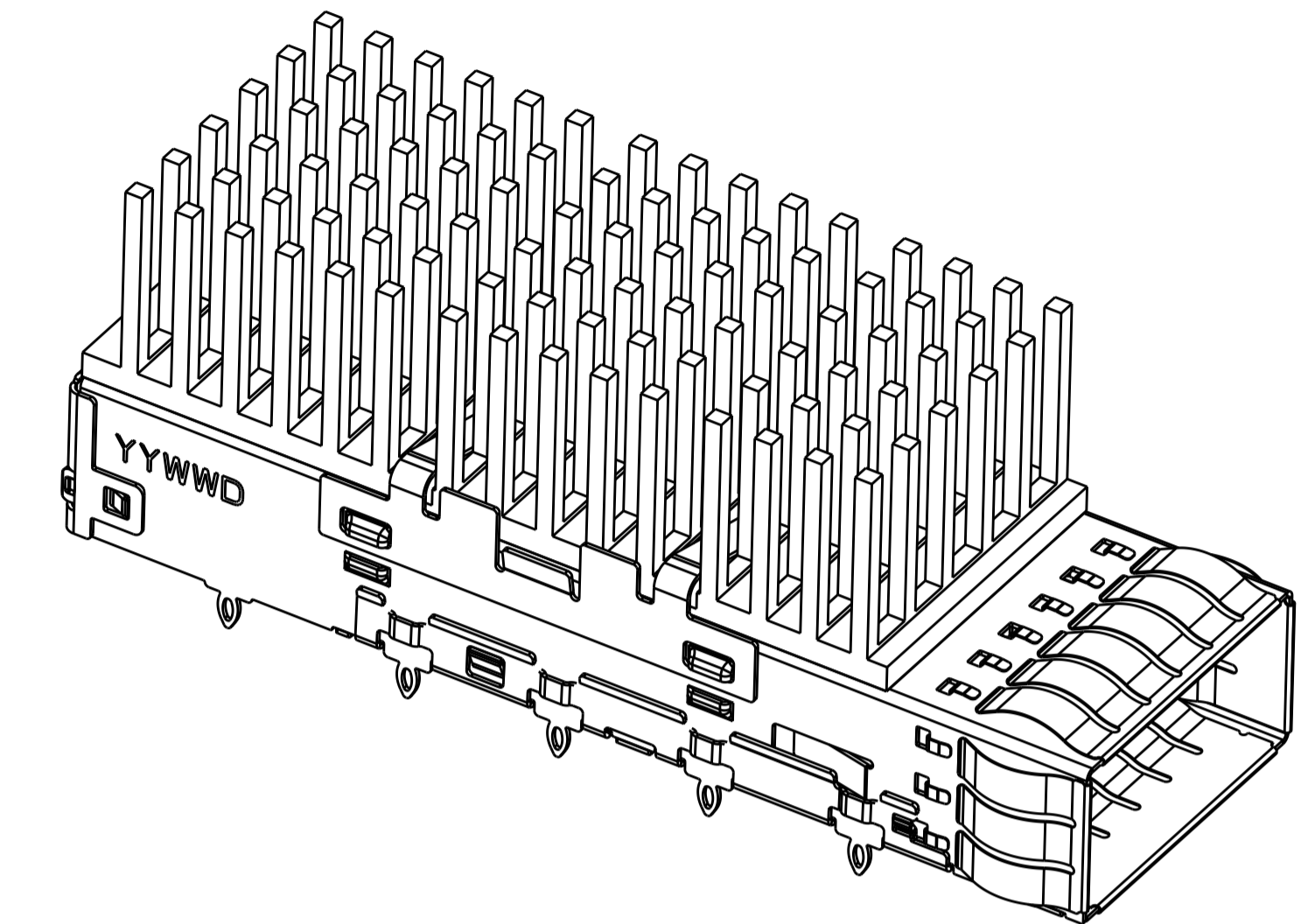
# HEAT SINK OPTIONS



PCI HEAT SINK  
SCALE 3:1

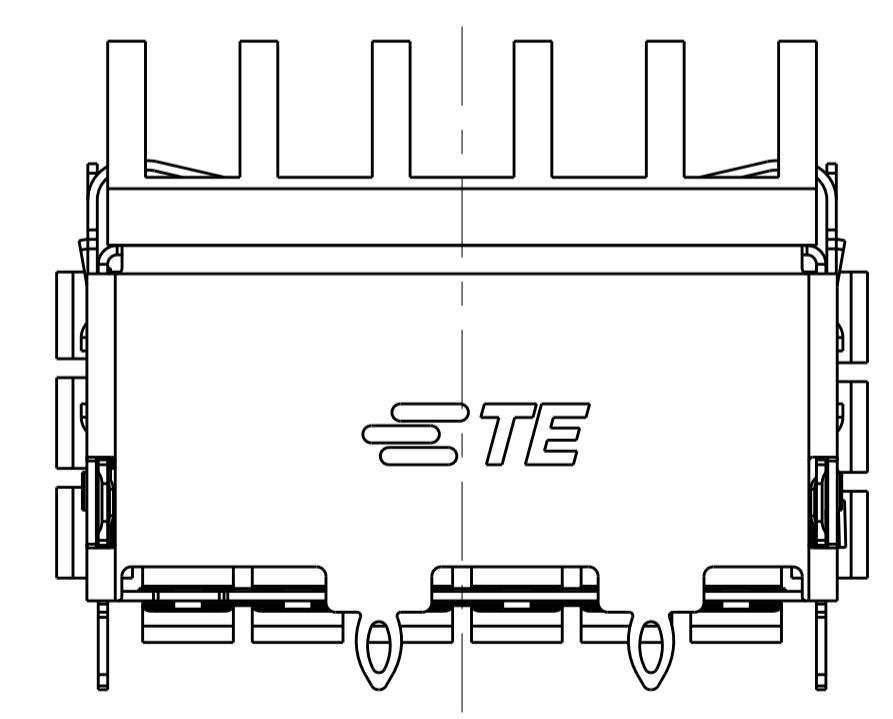


SAN HEAT SINK  
SCALE 3:1

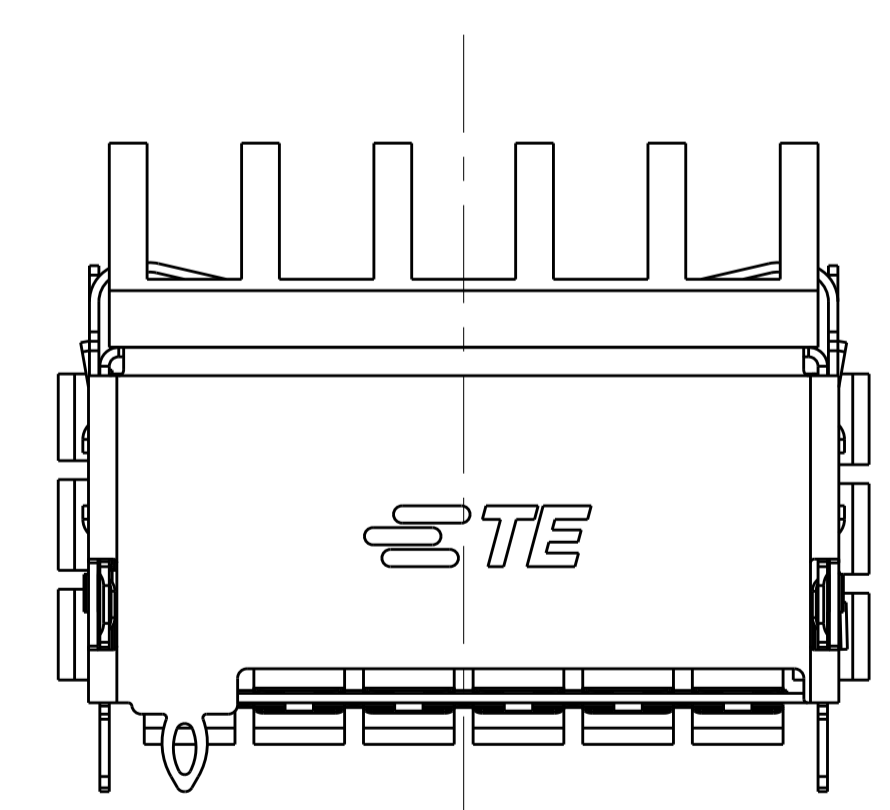


NETWORKING HEAT SINK  
SCALE 3:1

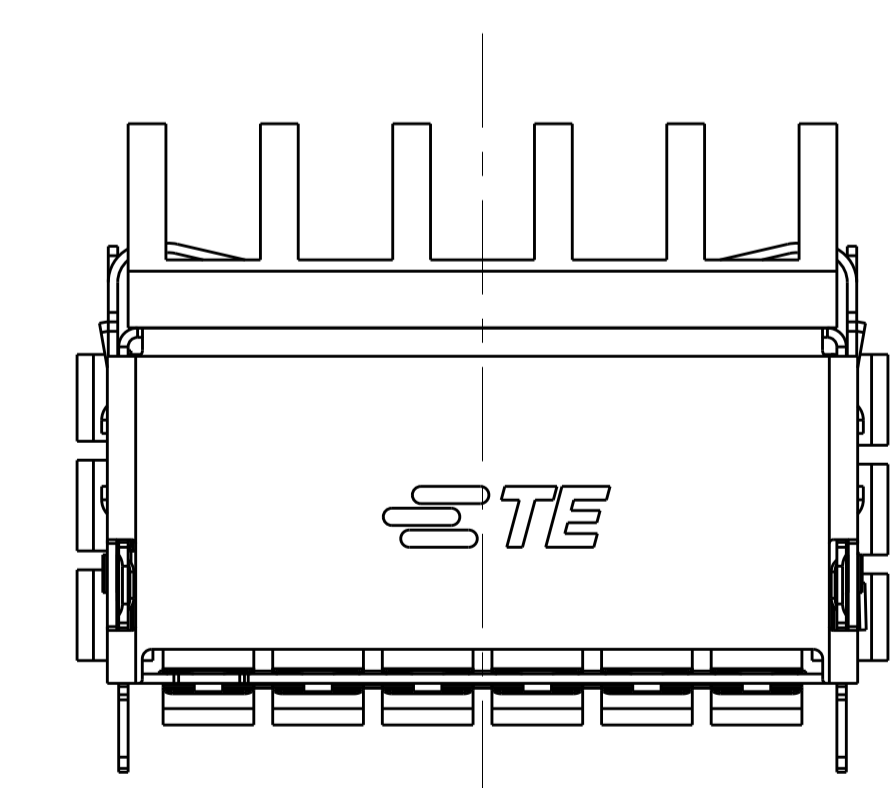
# # OF REAR LEGS OPTIONS



2 REAR LEGS  
SCALE 5:1



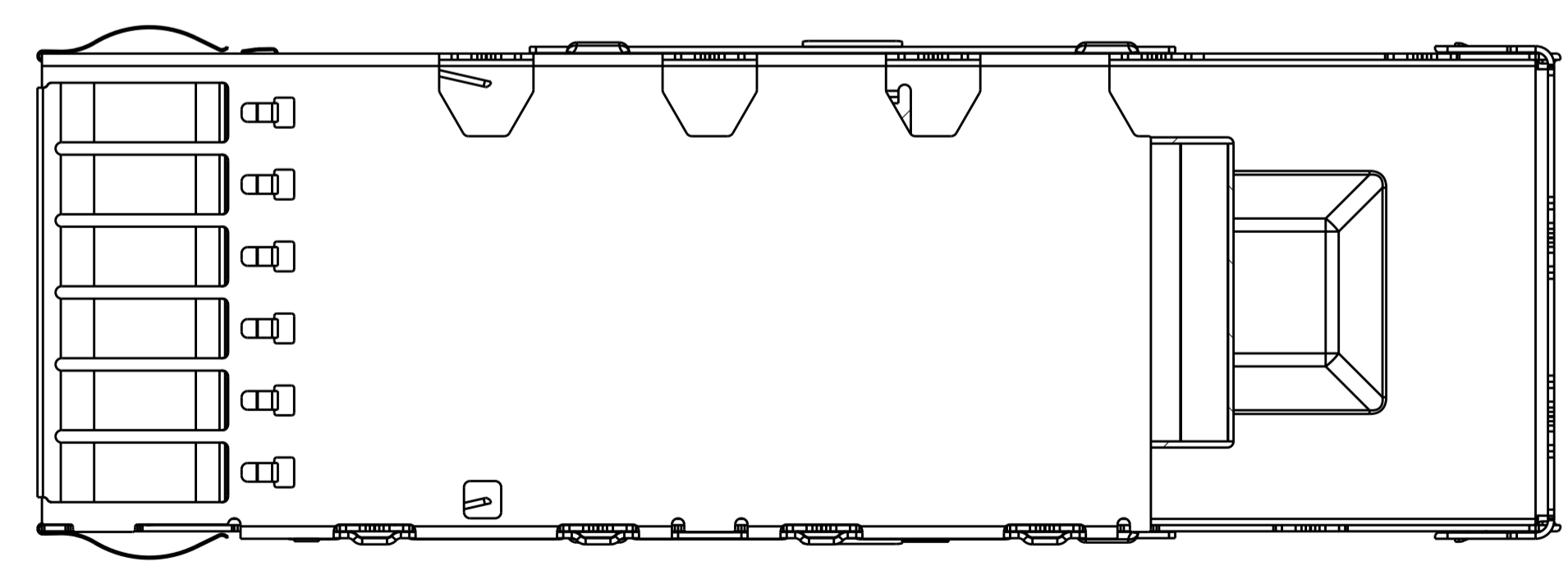
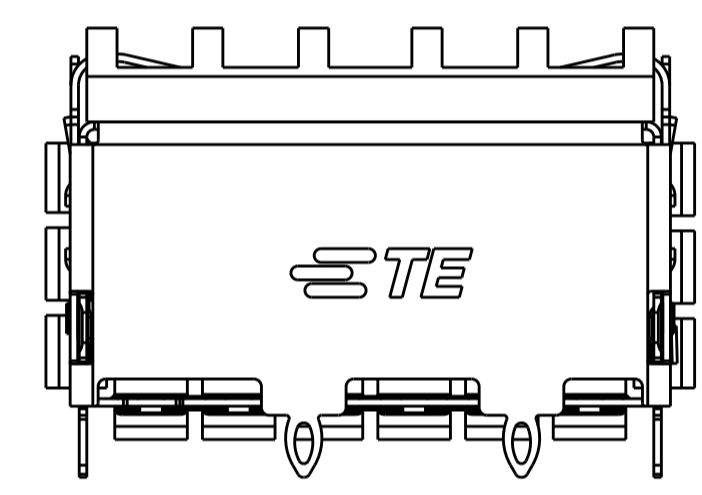
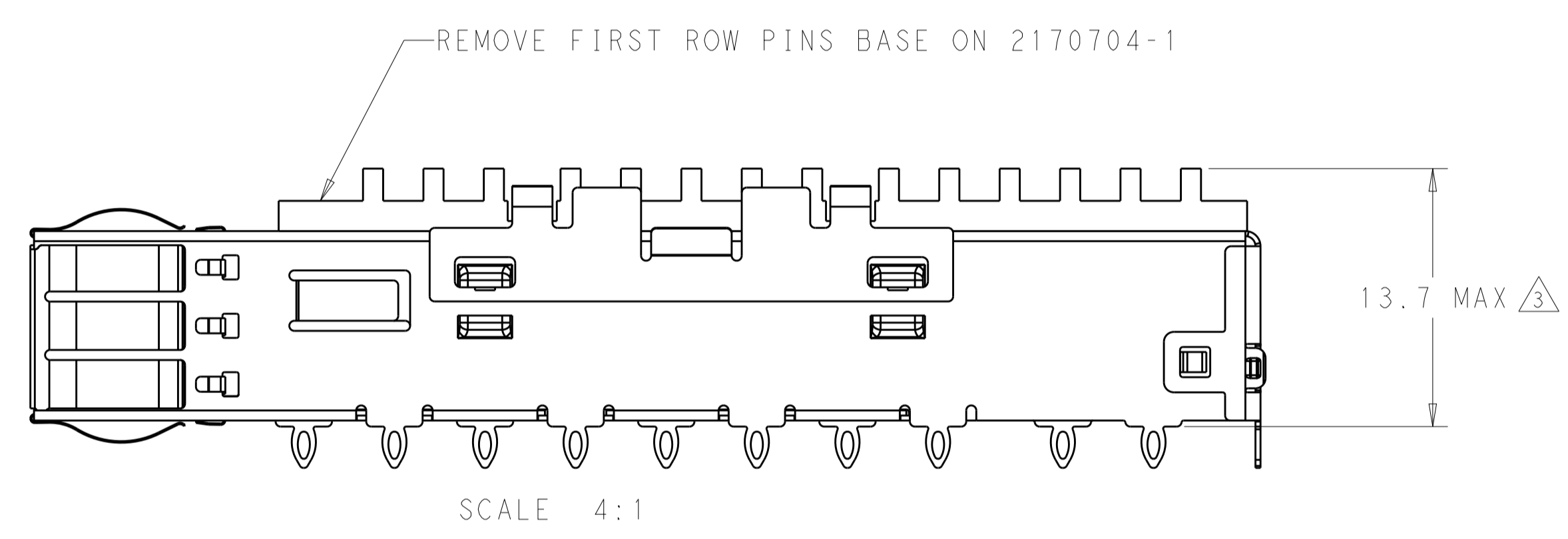
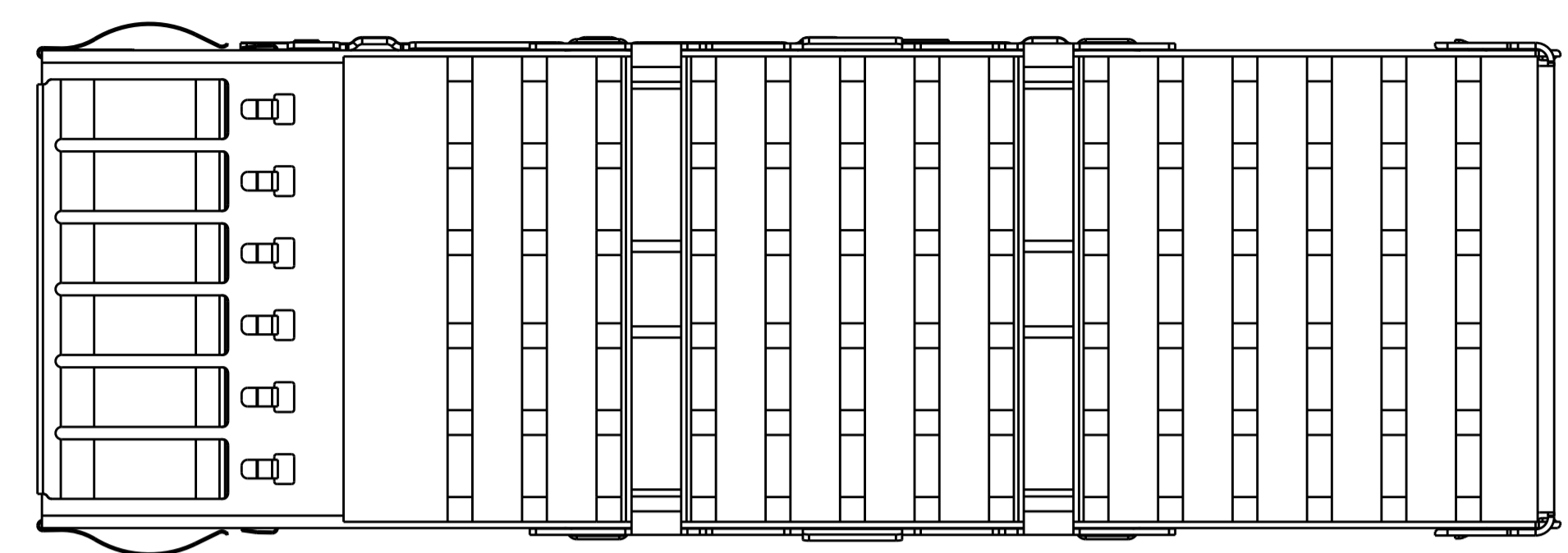
1 REAR LEG  
SCALE 5:1



0 REAR LEG  
SCALE 5:1

THIS DRAWING IS A CONTROLLED DOCUMENT.		OWN: JASON YANG 23SEP2013	TE Connectivity
		CHK: SEAN HAN 23SEP2013	
DIMENSIONS:		NAME: CAGE ASSEMBLY, QSFP28, THRU BEZEL WITH EMI SPRING FINGER HEAT SINK	
mm		PRODUCT SPEC: 108-19428	
0 PLC ±0.25 1 PLC ±0.25 2 PLC ±0.20 3 PLC ±0.100 4 PLC ±" ANGLES ±" FINISH -		APPLICATION SPEC: 114-32023	
MATERIAL: -		RESTRICTED TO: A100779C=2170704	
		CUSTOMER DRAWING	
		SCALE: 2:1 SHEET 2 OF 8 REV E	

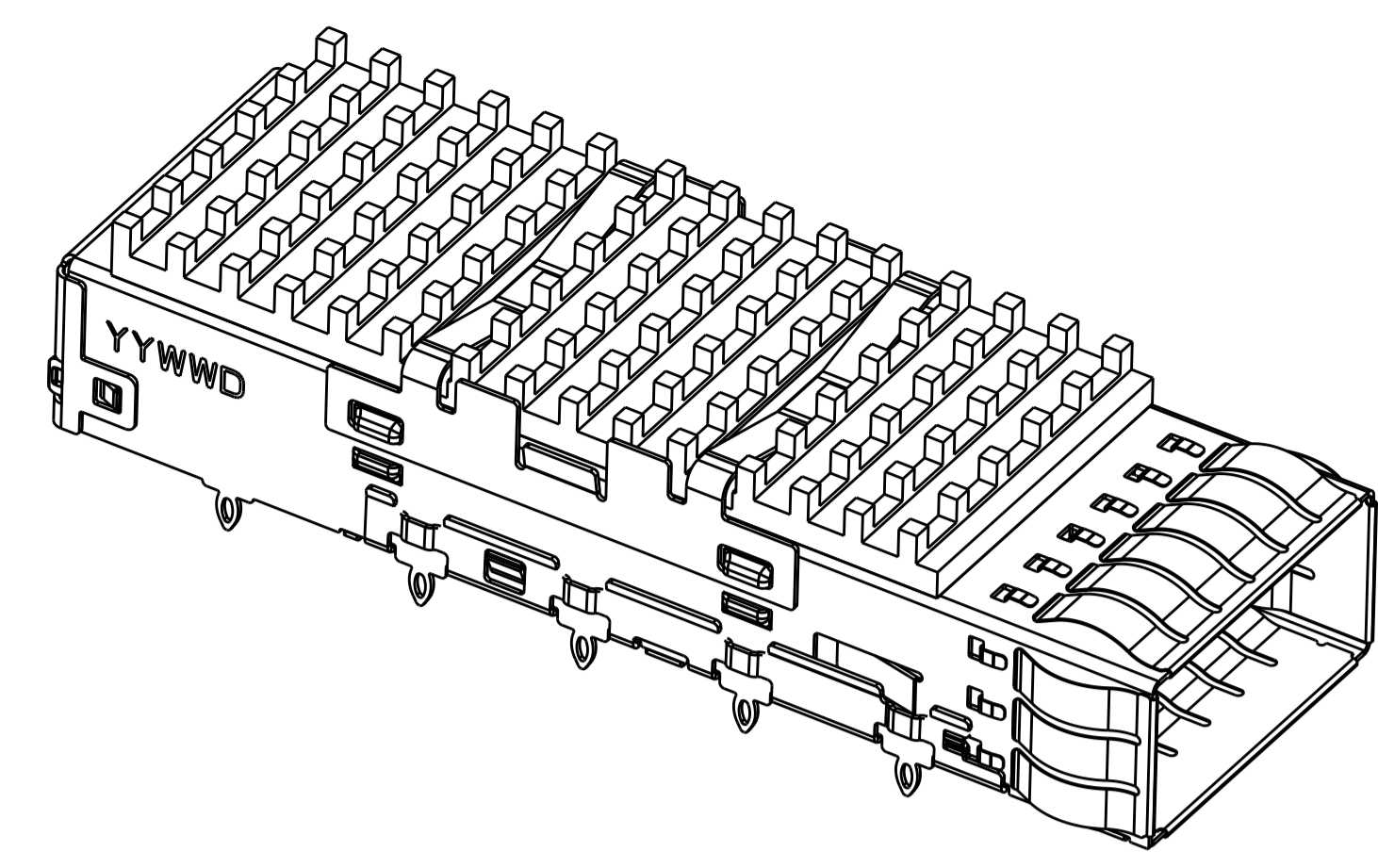
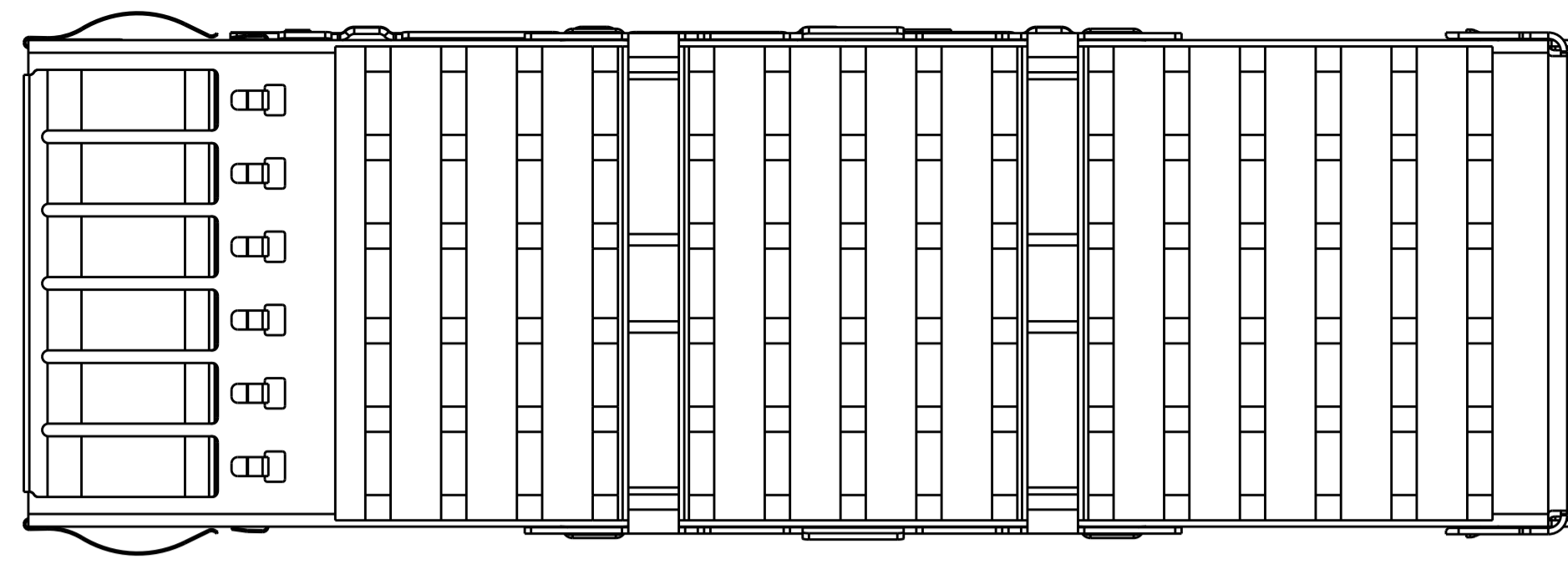
LOC		DIST		REVISIONS			
P	LTN	DESCRIPTION	DATE	DMN	APVD		
-	-	SEE SHEET 1	-	-	-		



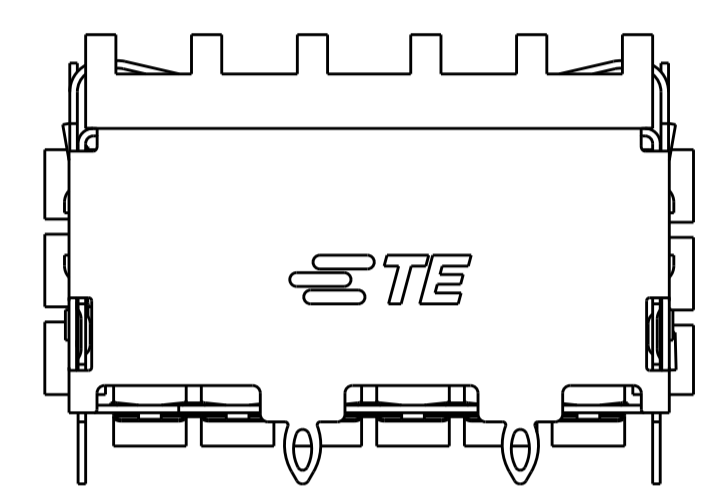
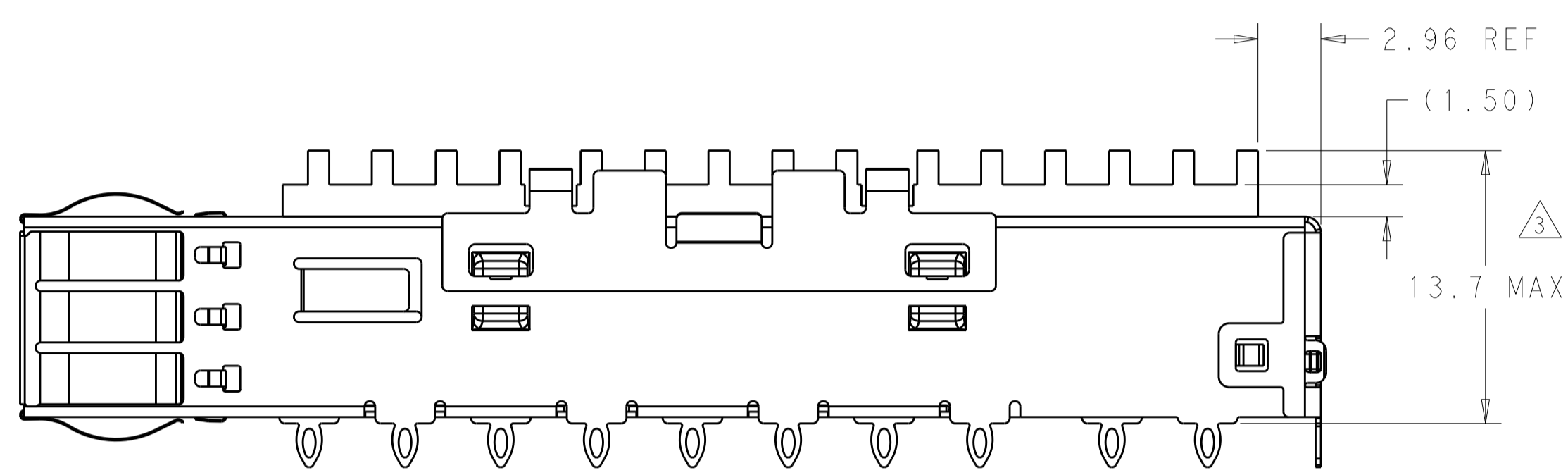
1-2170704-2 ARE AS SHOWN

THIS DRAWING IS A CONTROLLED DOCUMENT.		DMN JASON YANG 23SEP2013	TE Connectivity
		CHK SEAN HAN 23SEP2013	
DIMENSIONS:		NAME	
mm	TOLERANCES UNLESS OTHERWISE SPECIFIED:	CAGE ASSEMBLY, QSFP28, THRU BEZEL WITH EMI SPRING FINGER HEAT SINK	
	0 PLC $\pm 0.25$ 1 PLC $\pm 0.25$ 2 PLC $\pm 0.25$ 3 PLC $\pm 0.25$ 4 PLC $\pm 0.100$ ANGLES $\pm$ FINISH $\pm$	PRODUCT SPEC 108-19428 APPLICATION SPEC 114-32023 WEIGHT - CUSTOMER DRAWING	RESTRICTED TO SIZE CAGE CODE DRAWING NO A100779C=2170704
SCALE 2:1		SHEET 3 OF 8	REV E

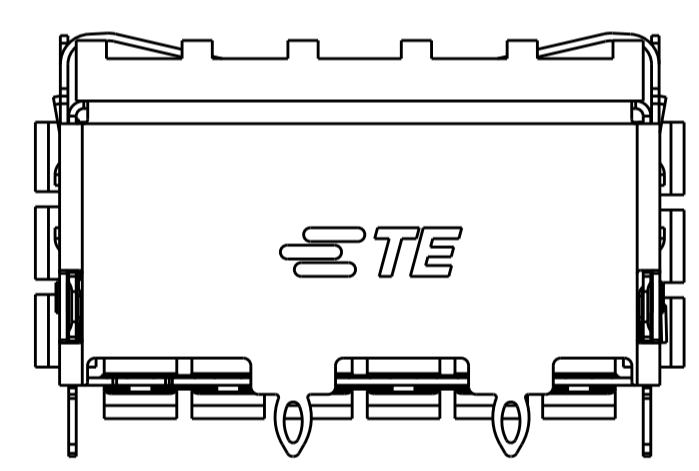
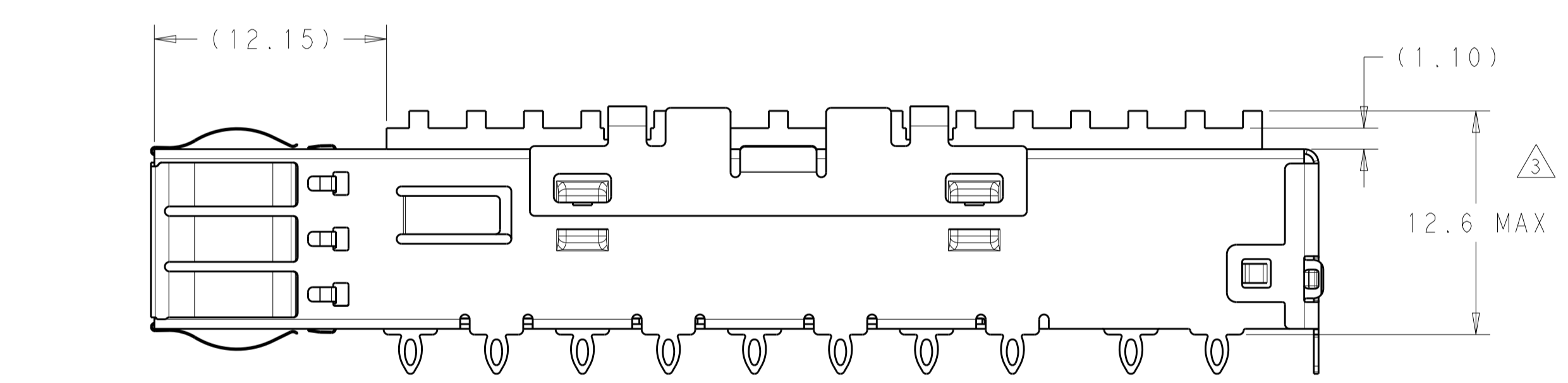
LOC		DIST		REVISIONS			
P	LTN	DESCRIPTION	DATE	OWN	APVD		
-	-	SEE SHEET 1	-	-	-		



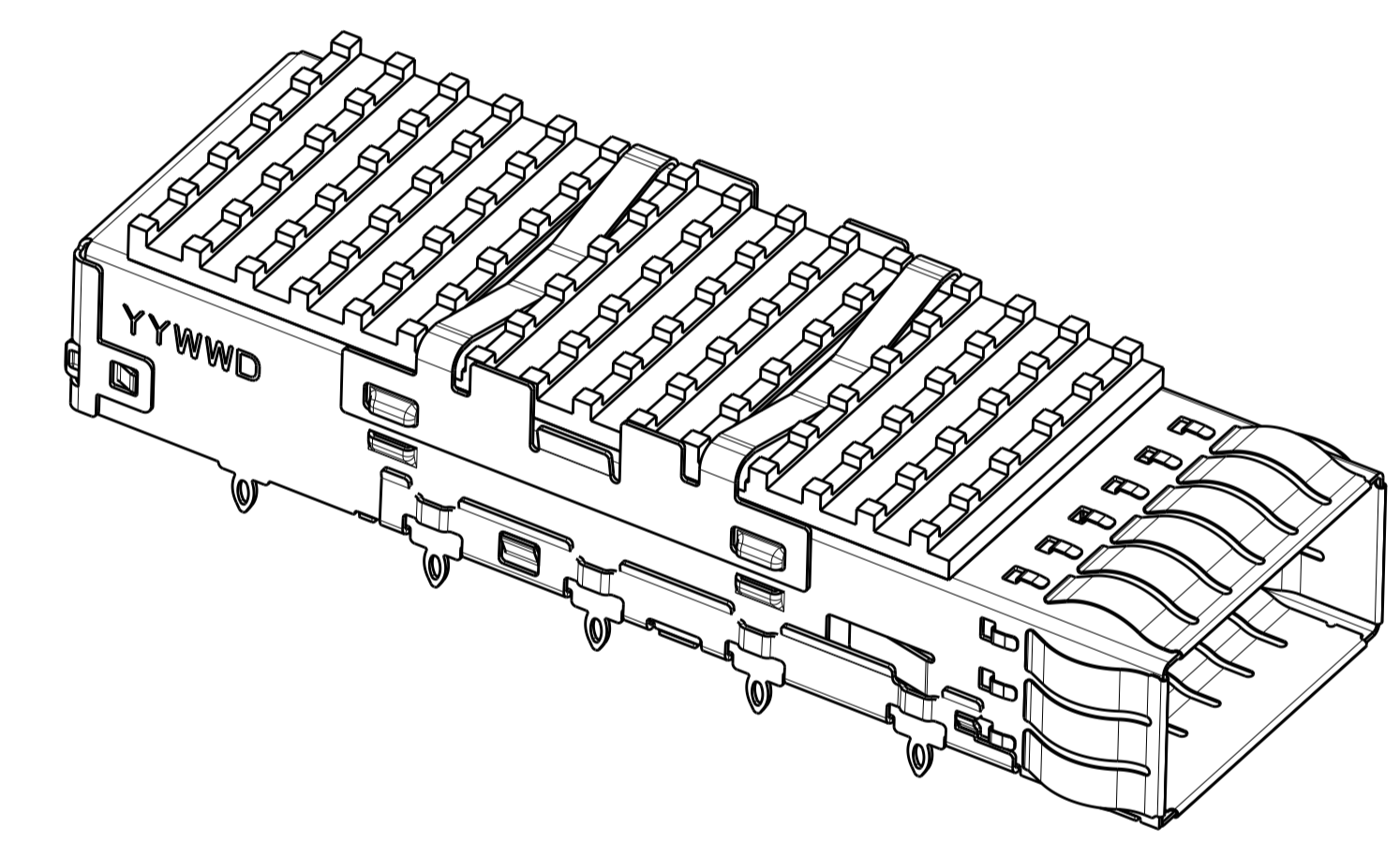
1-2170704-3 ARE AS SHOWN



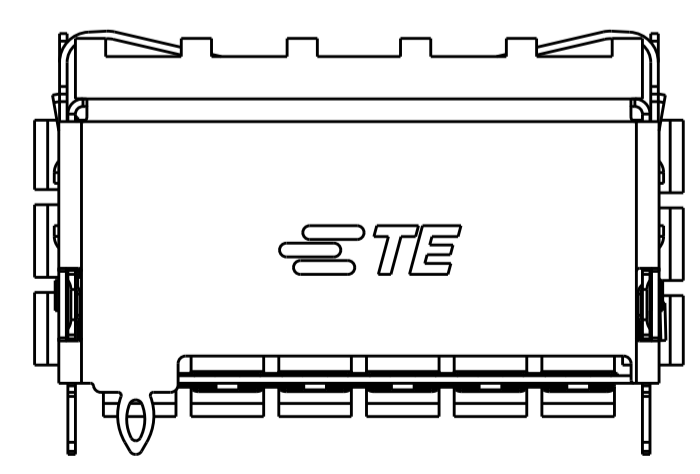
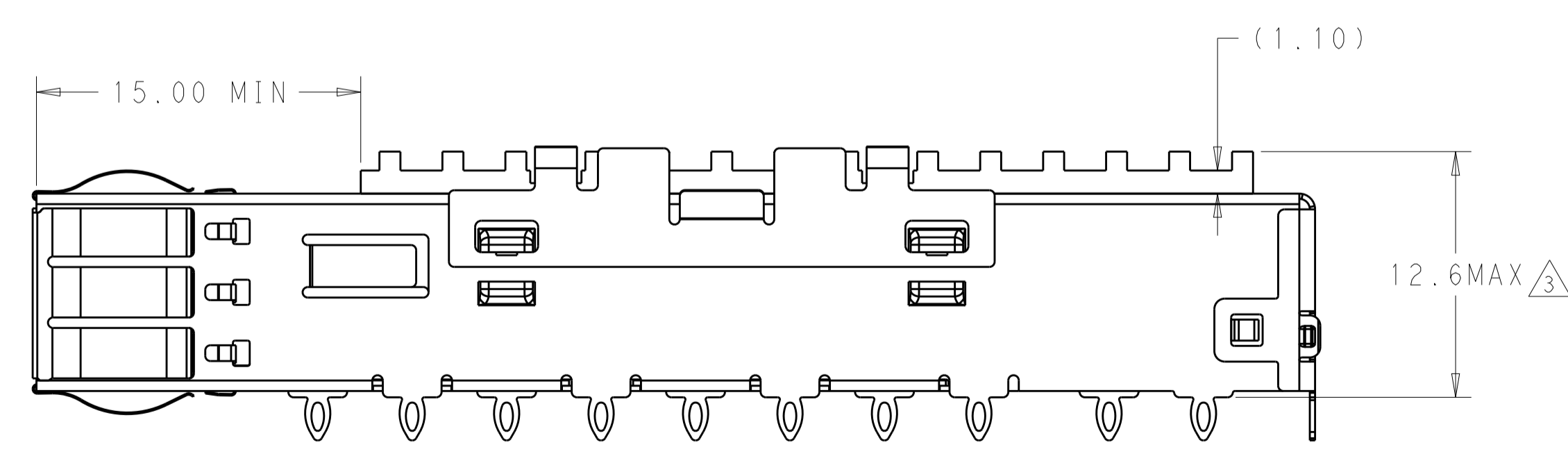
1-2170704-3 AS SHOWN  
SCALE 4:1



1-2170704-6 AS SHOWN  
SAME AS 1-2170704-3 EXCEPT MARKED DIMENSIONS  
SCALE 4:1

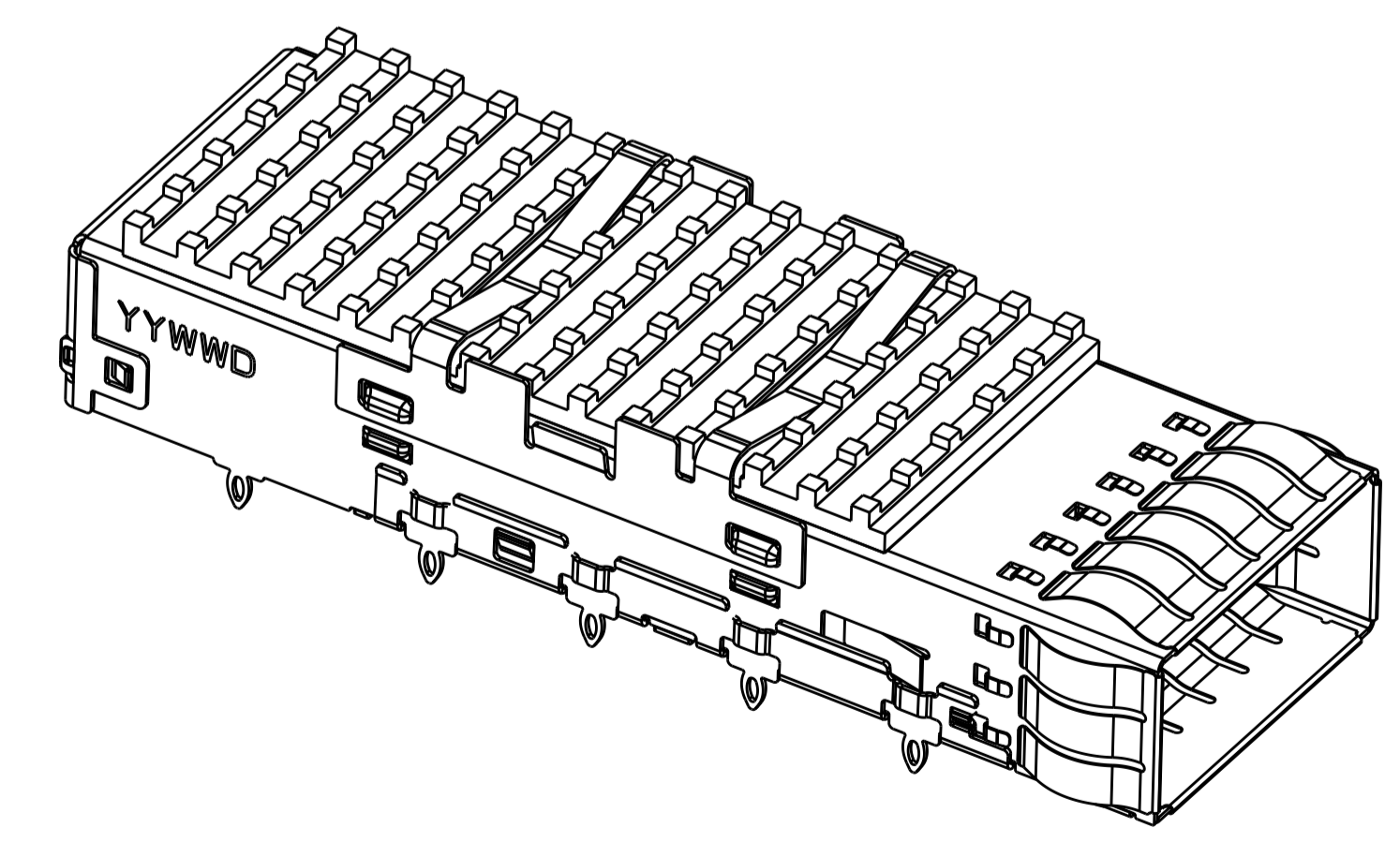


1-2170704-6 ARE AS SHOWN



1-2170704-7 AS SHOWN  
SAME AS 1-2170704-6 EXCEPT MARKED DIENSIONS

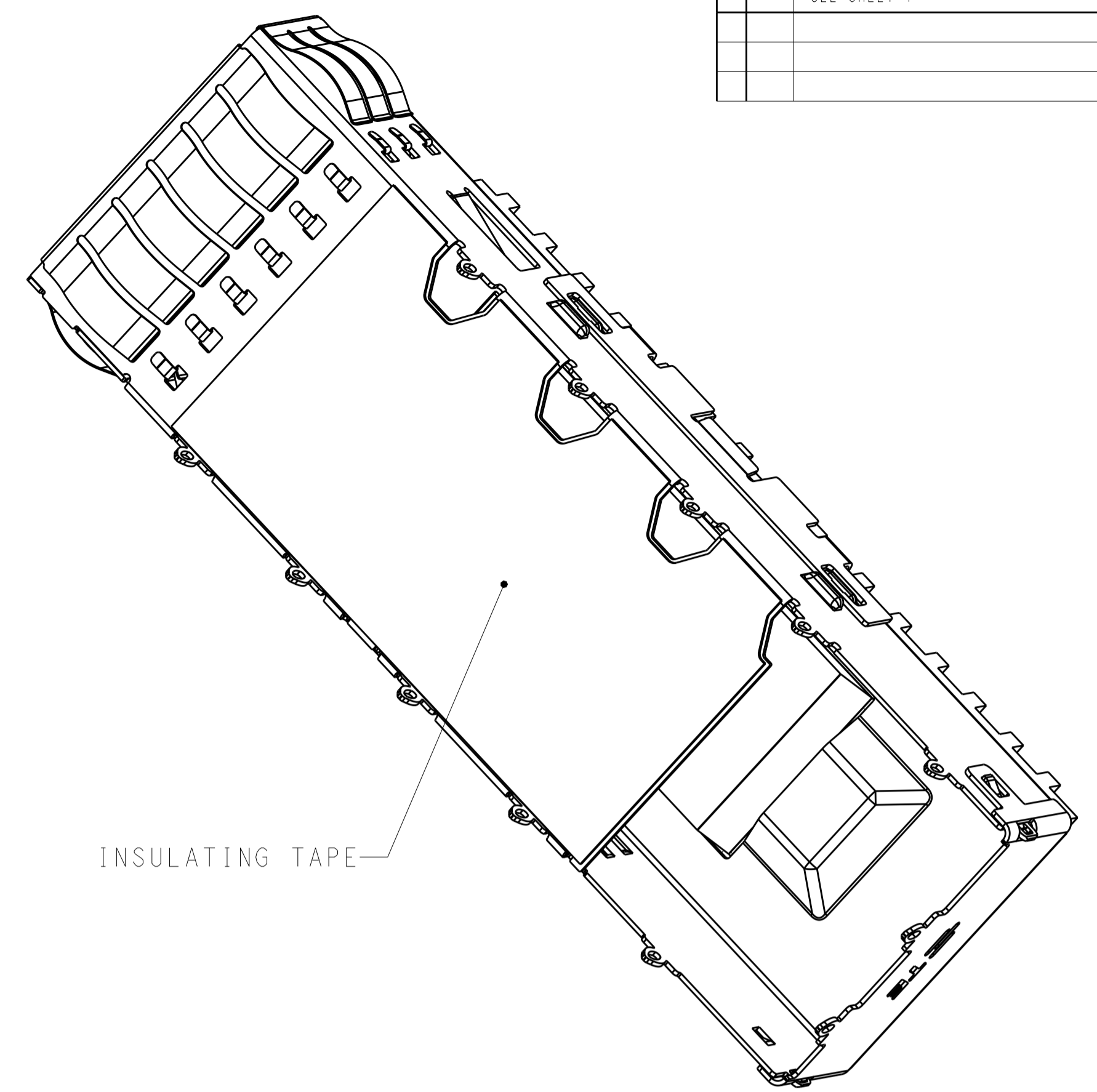
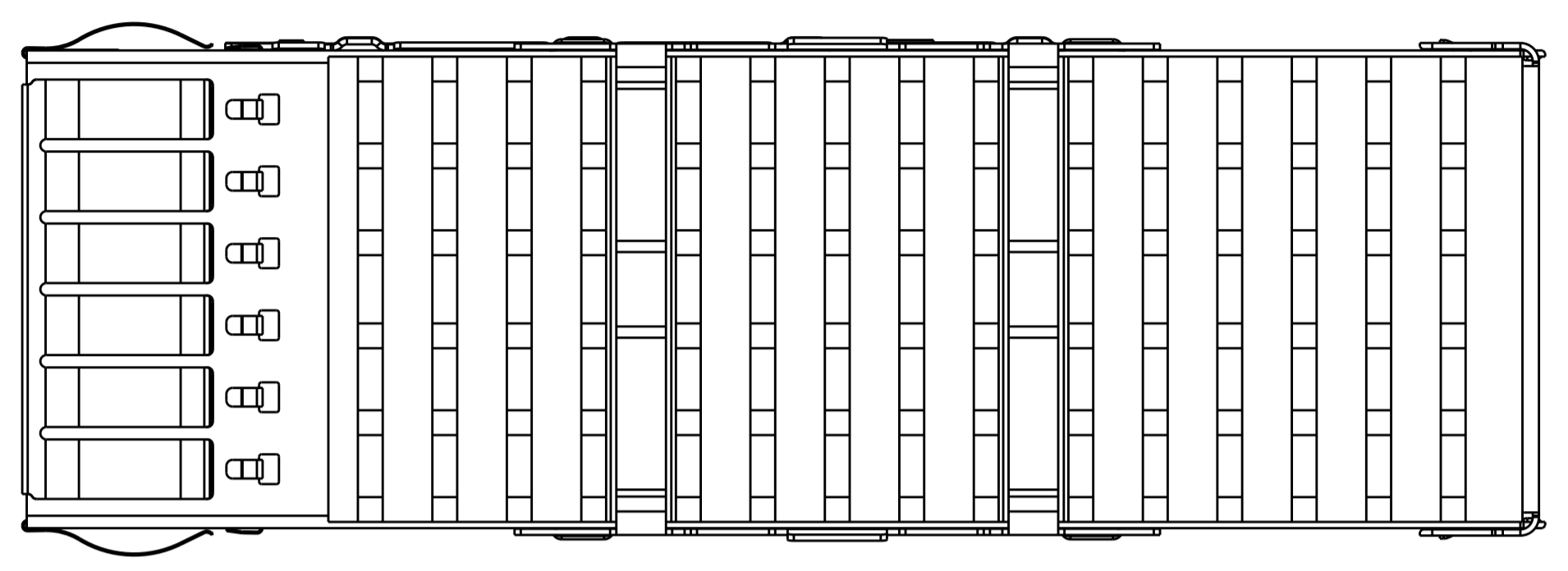
SCALE 4:1



1-2170704-7 AS SHOWN  
SCALE 3:1

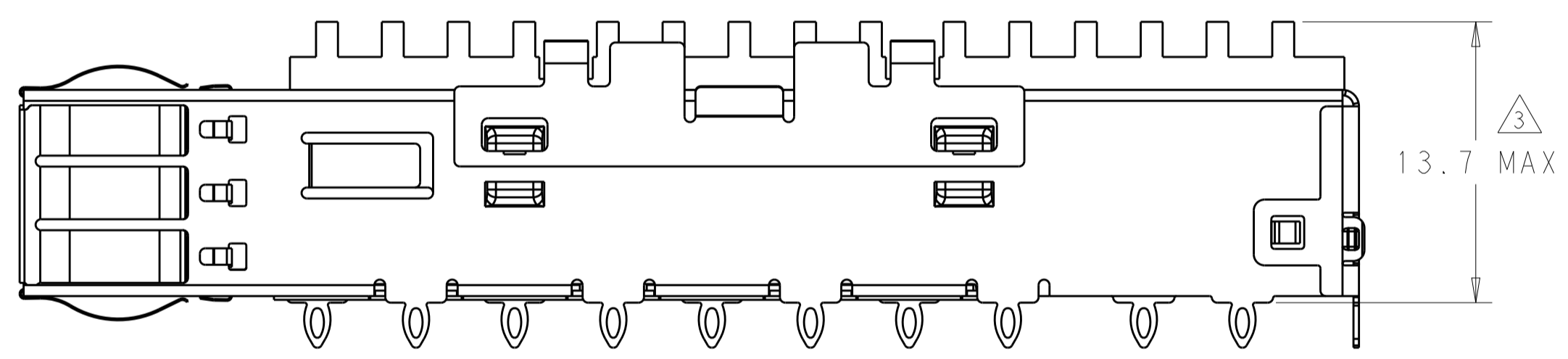
THIS DRAWING IS A CONTROLLED DOCUMENT.		OWN: JASON YANG 23SEP2013	TE Connectivity
		CHK: SEAN HAN 23SEP2013	
DIMENSIONS:		NAME: CAGE ASSEMBLY, QSPF28, THRU BEZEL WITH EMI SPRING FINGER HEAT SINK	
mm		PRODUCT SPEC: 108-19428	
		APPLICATION SPEC: 114-32023	
0 PLC ±0.25 1 PLC ±0.25 2 PLC ±0.25 3 PLC ±0.100 4 PLC ± ANGLES ±°		SIZE: A100779C=2170704	
MATERIAL:		WEIGHT:	
FINISH:		CUSTOMER DRAWING	
		SCALE: 2:1 SHEET 4 OF 8 REV E	

LOC		DIST		REVISIONS			
P	LTN	DESCRIPTION	DATE	DWN	APVD		
-	-	SEE SHEET 1	-	-	-		



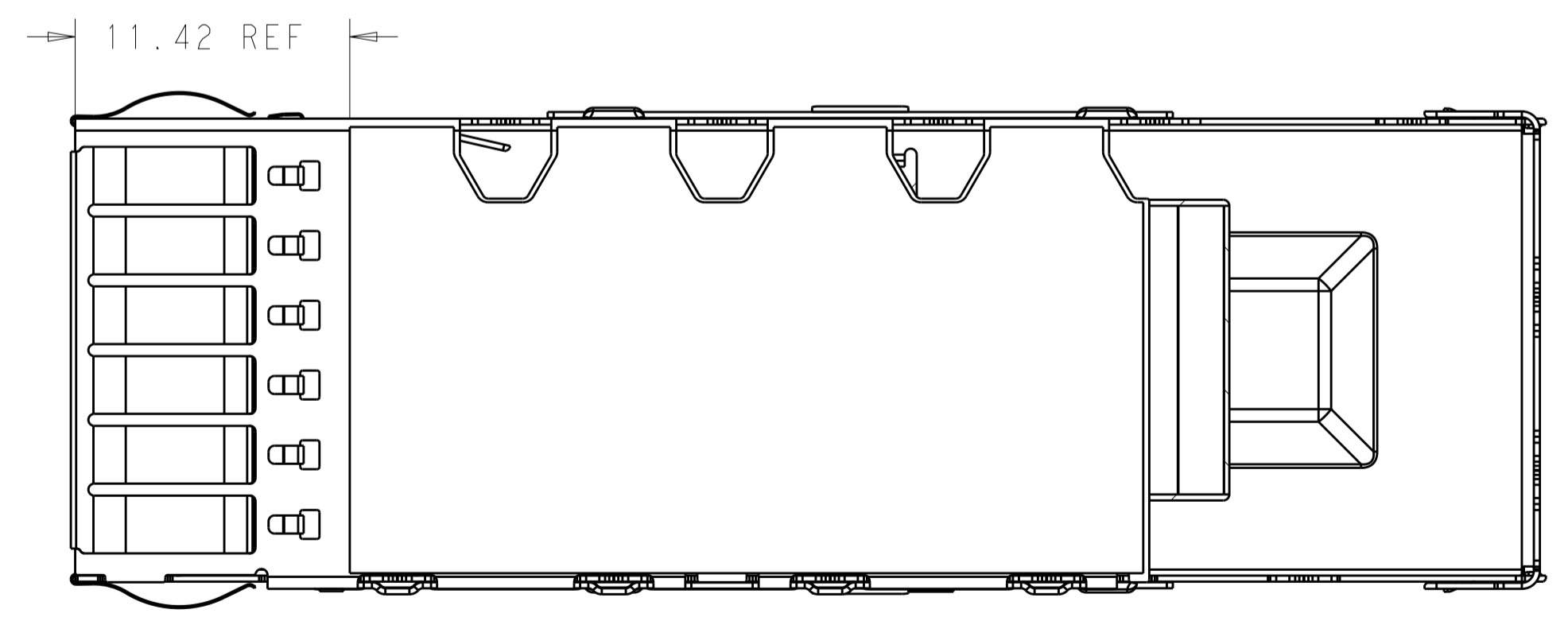
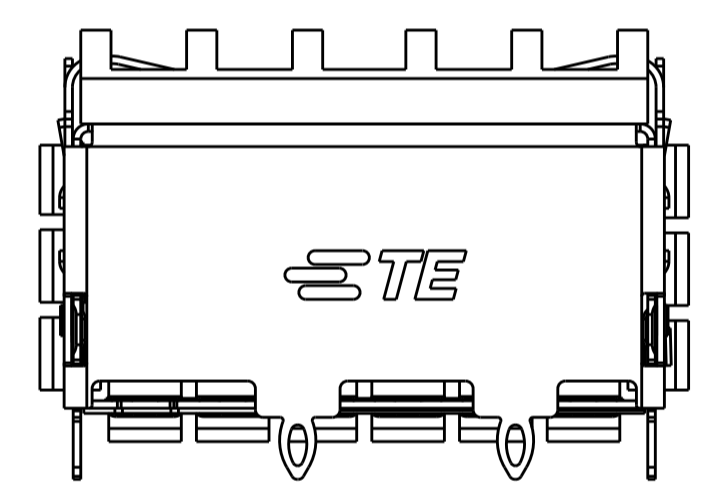
INSULATING TAPE

5-2170704-1 WITH INSULATING TAPE  
 SCALE 4:1



13.7 MAX

SCALE 4:1

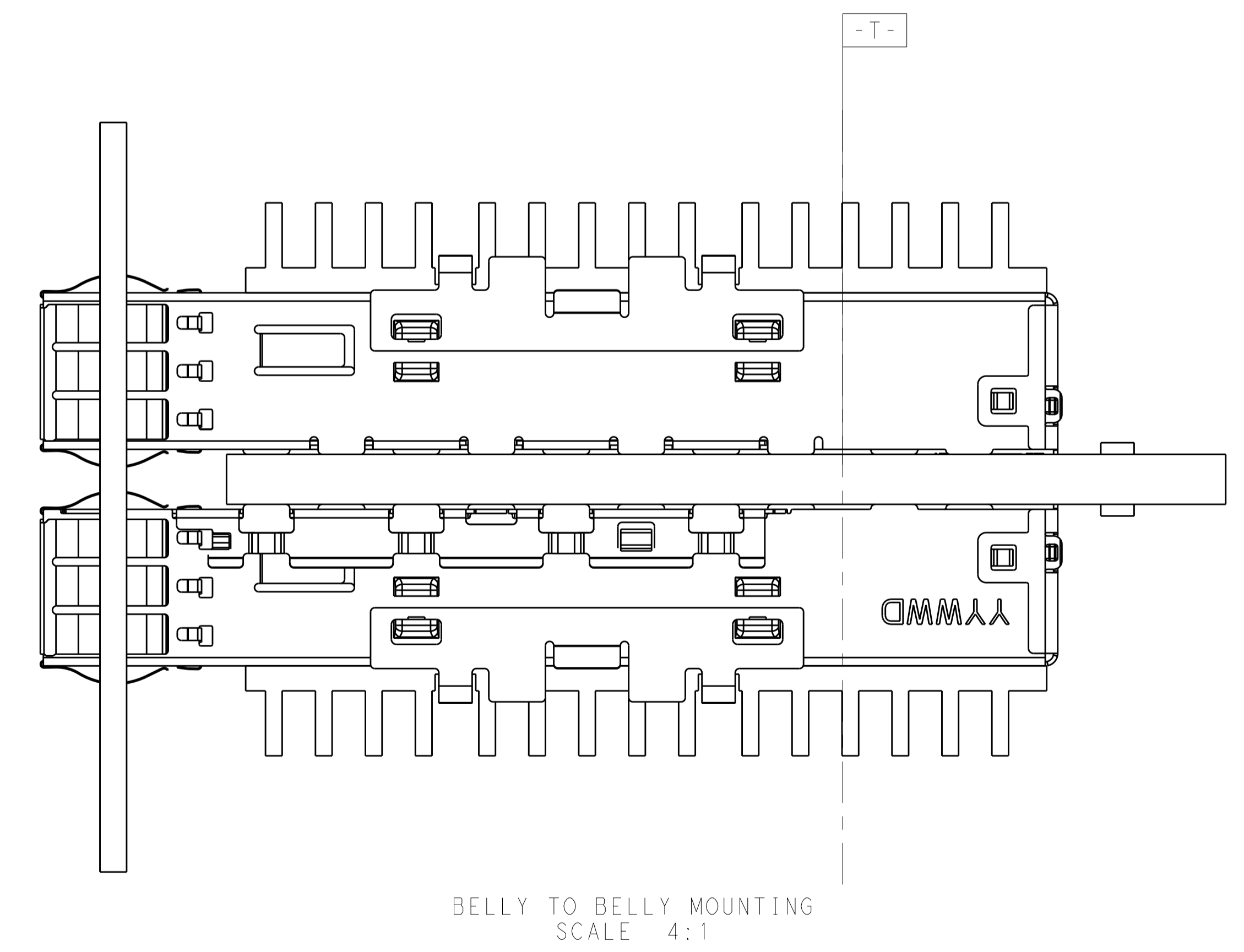
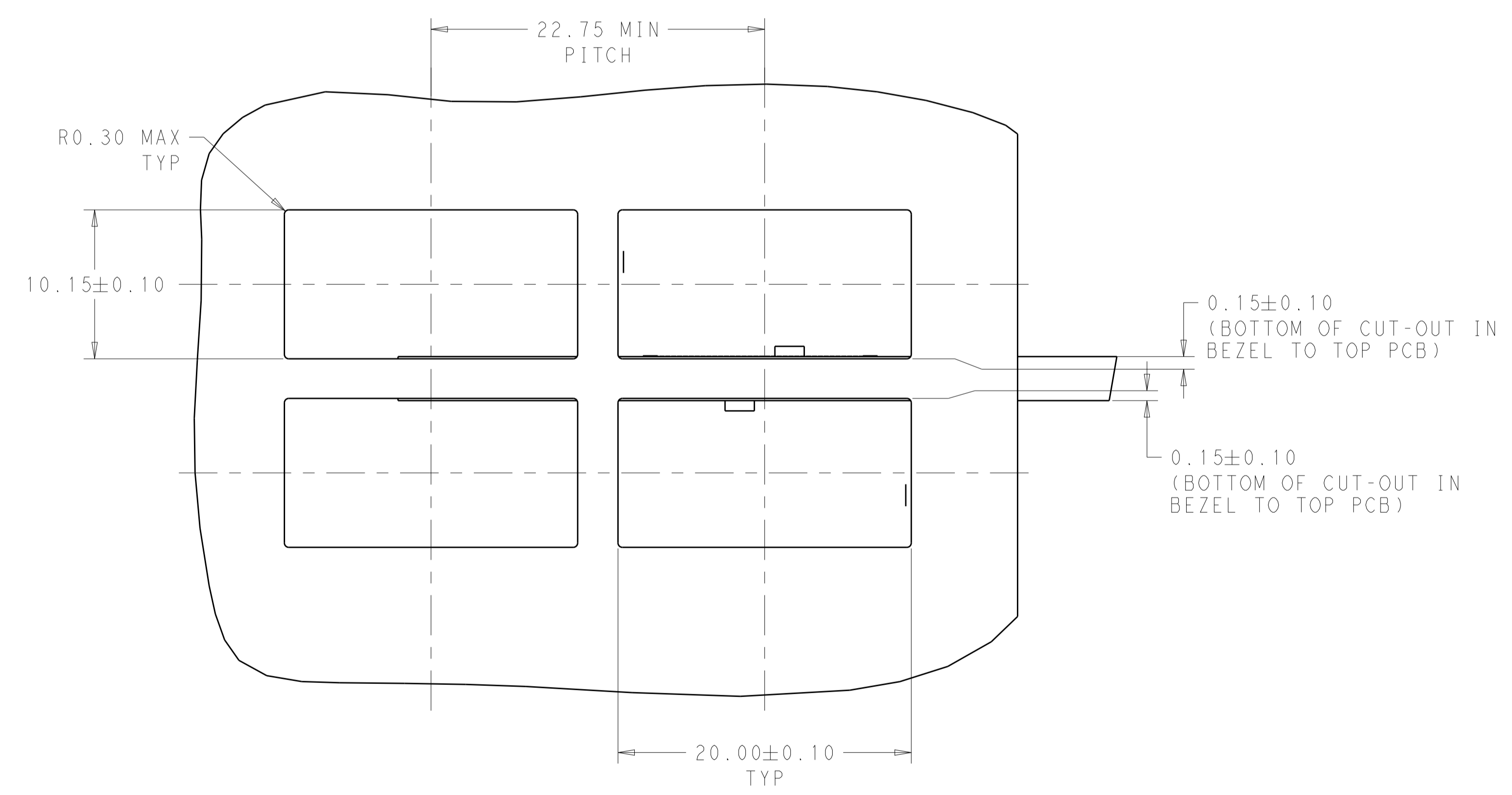
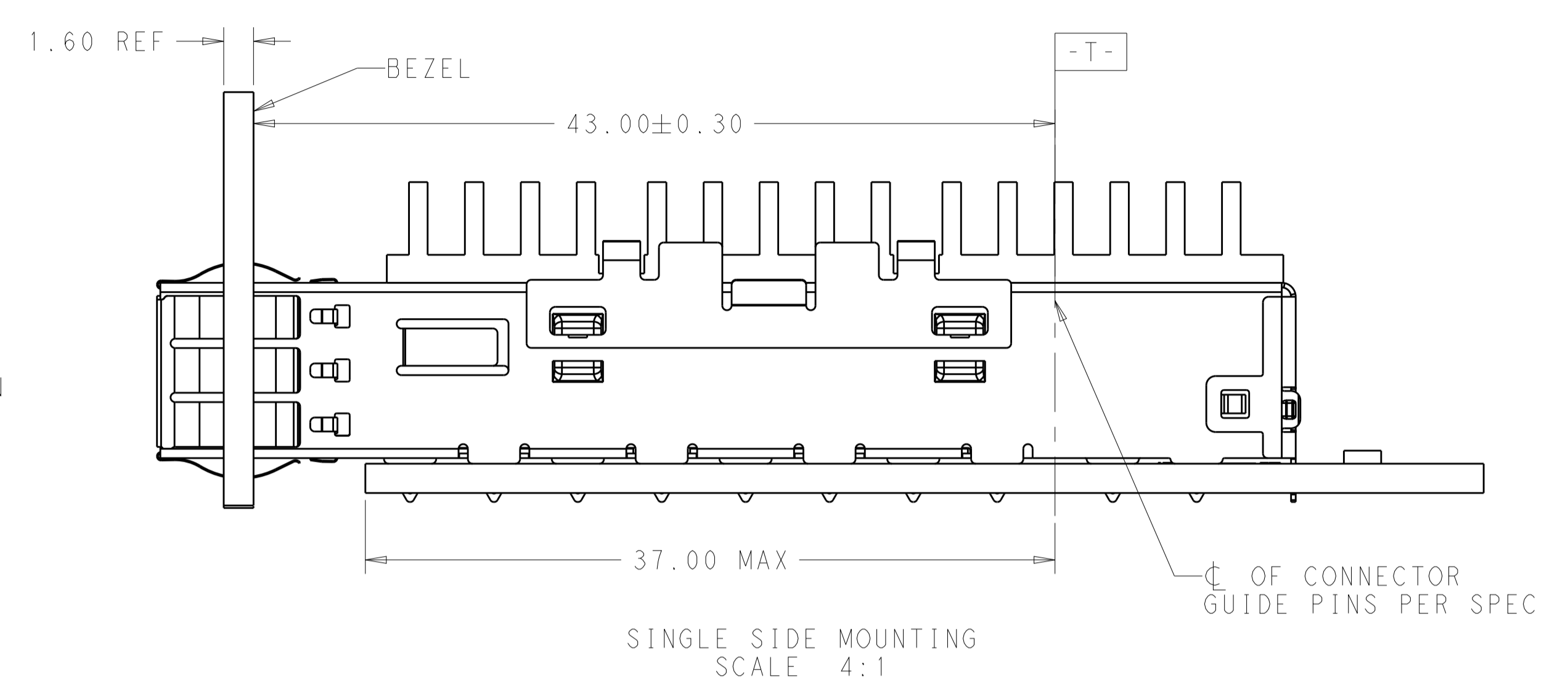
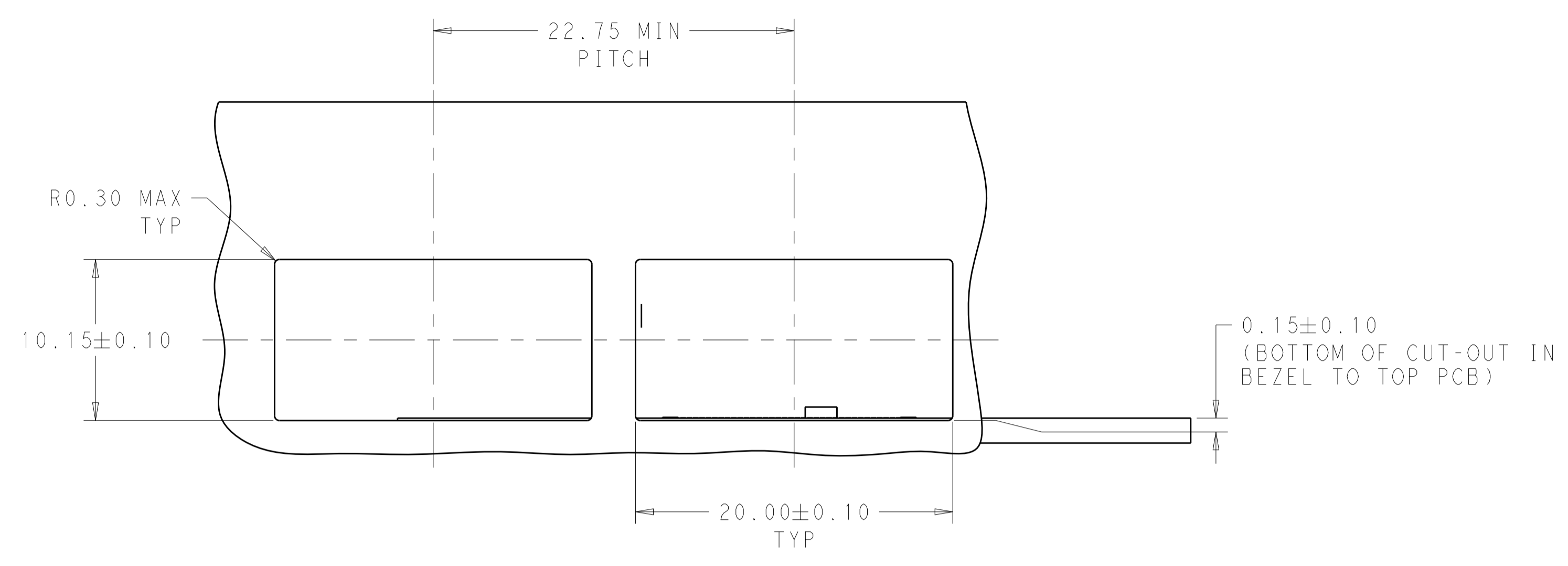


11.42 REF

5-2170704-1 ARE AS SHOWN

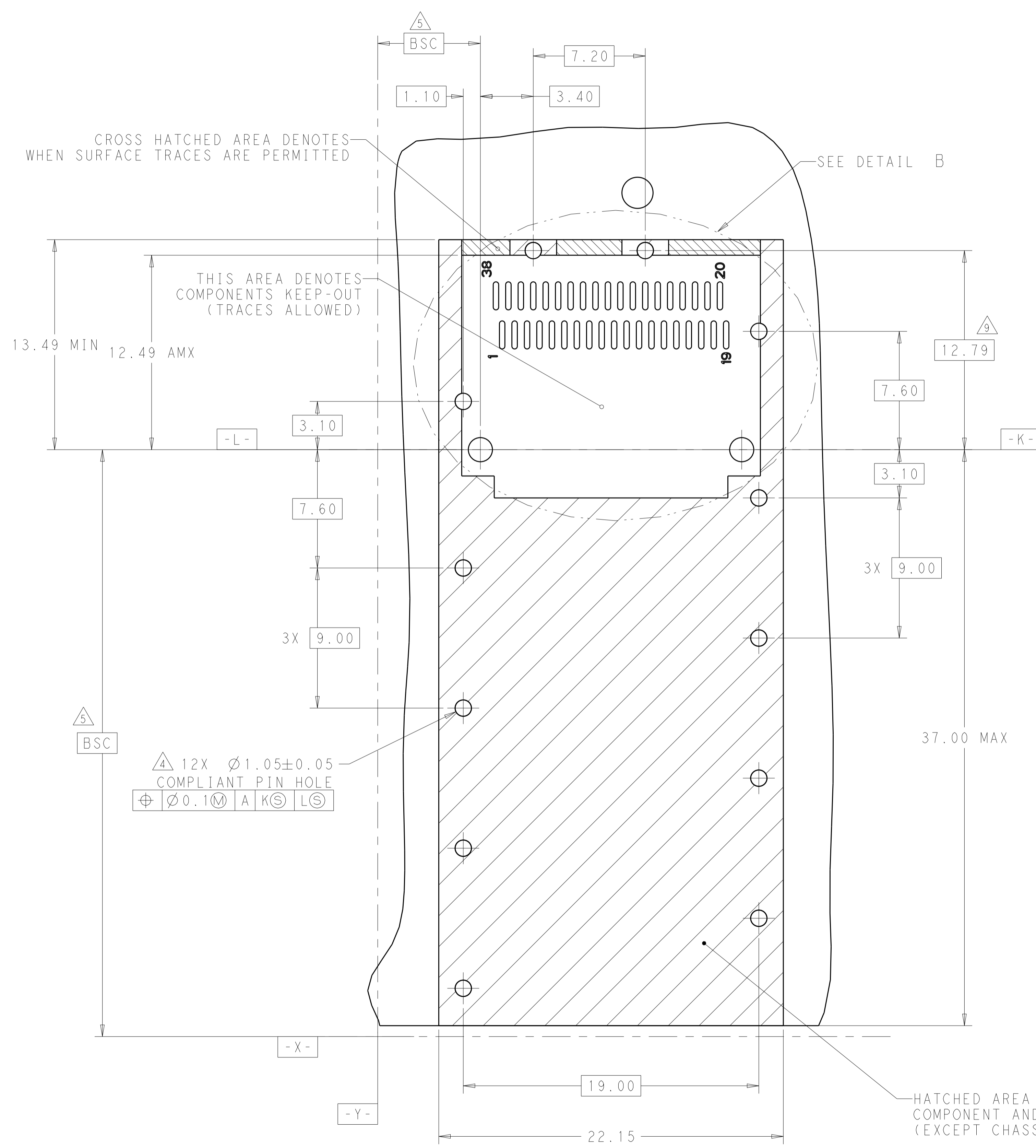
THIS DRAWING IS A CONTROLLED DOCUMENT.		DWN: JASON YANG 23SEP2013	TE Connectivity
		CHK: SEAN HAN 23SEP2013	
DIMENSIONS:		NAME: CAGE ASSEMBLY, QSFP28, THRU BEZEL WITH EMI SPRING FINGER HEAT SINK	
TOLERANCES UNLESS OTHERWISE SPECIFIED:		PRODUCT SPEC: 108-19428	
mm		APPLICATION SPEC:	
0 PLC ±0.25		SIZE: 114-32023	
1 PLC ±0.25		CAGE CODE: A100779	
2 PLC ±0.20		DRAWING NO: C=2170704	
3 PLC ±0.100		WEIGHT: -	
4 PLC ±		RESTRICTED TO: -	
ANGLES ±°		CUSTOMER DRAWING	
FINISH		SCALE: 2:1	
		SHEET 5 OF 8	
		REV E	

LOC		DIST		REVISIONS			
P	LTN	DESCRIPTION	DATE	DWN	APVD		
-	-	SEE SHEET 1	-	-	-		

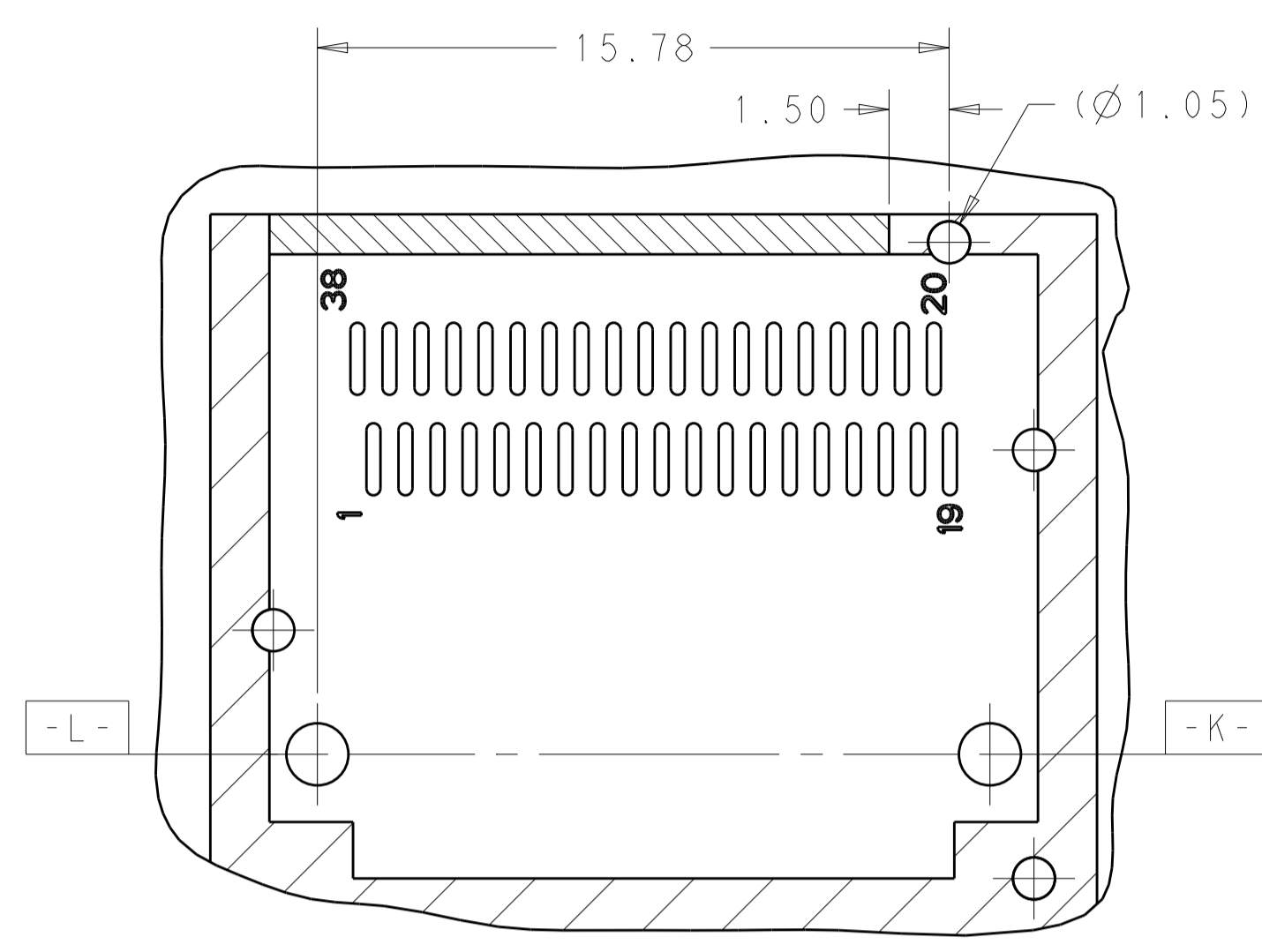


THIS DRAWING IS A CONTROLLED DOCUMENT.		DWN: JASON YANG 23SEP2013	TE Connectivity
DIMENSIONS: mm		CHK: SEAN HAN 23SEP2013	
TOLERANCES UNLESS OTHERWISE SPECIFIED:		APVD:	NAME: CAGE ASSEMBLY, QSP28, THRU BEZEL WITH EMI SPRING FINGER HEAT SINK
0 PLC ±0.25	1 PLC ±0.25	PRODUCT SPEC 108-19428	SIZE: A100779C=2170704
2 PLC ±0.20	3 PLC ±0.100	APPLICATION SPEC 114-32023	RESTRICTED TO: -
4 PLC ±"	ANGLES ±"	WEIGHT: -	SCALE: 2:1 SHEET 6 OF 8 REV E
MATERIAL: -	FINISH: -	CUSTOMER DRAWING	

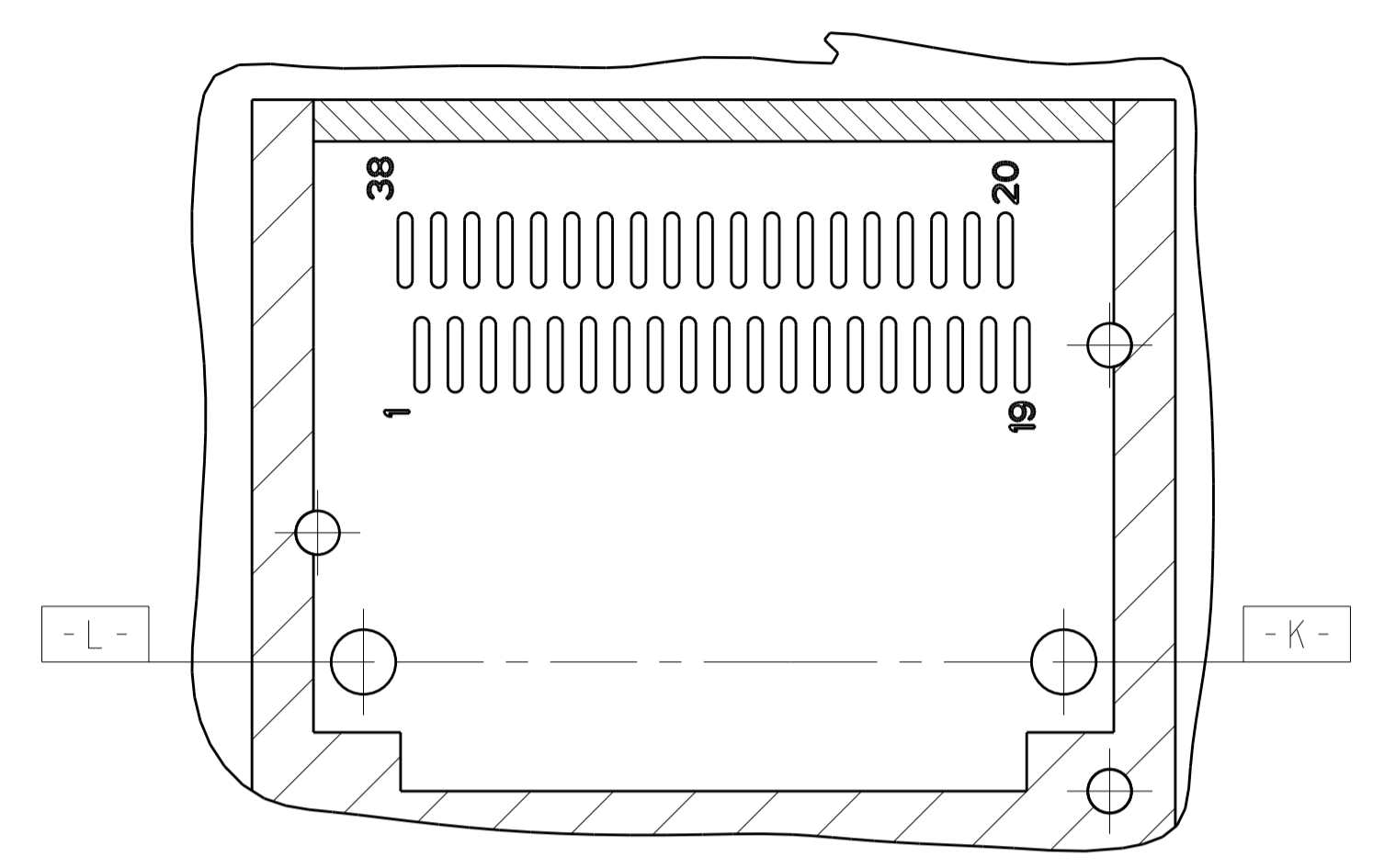
LOC		DIST		REVISIONS			
				DESCRIPTION	DATE	OWN	APVD
-	-	-	-	SEE SHEET 1	-	-	-



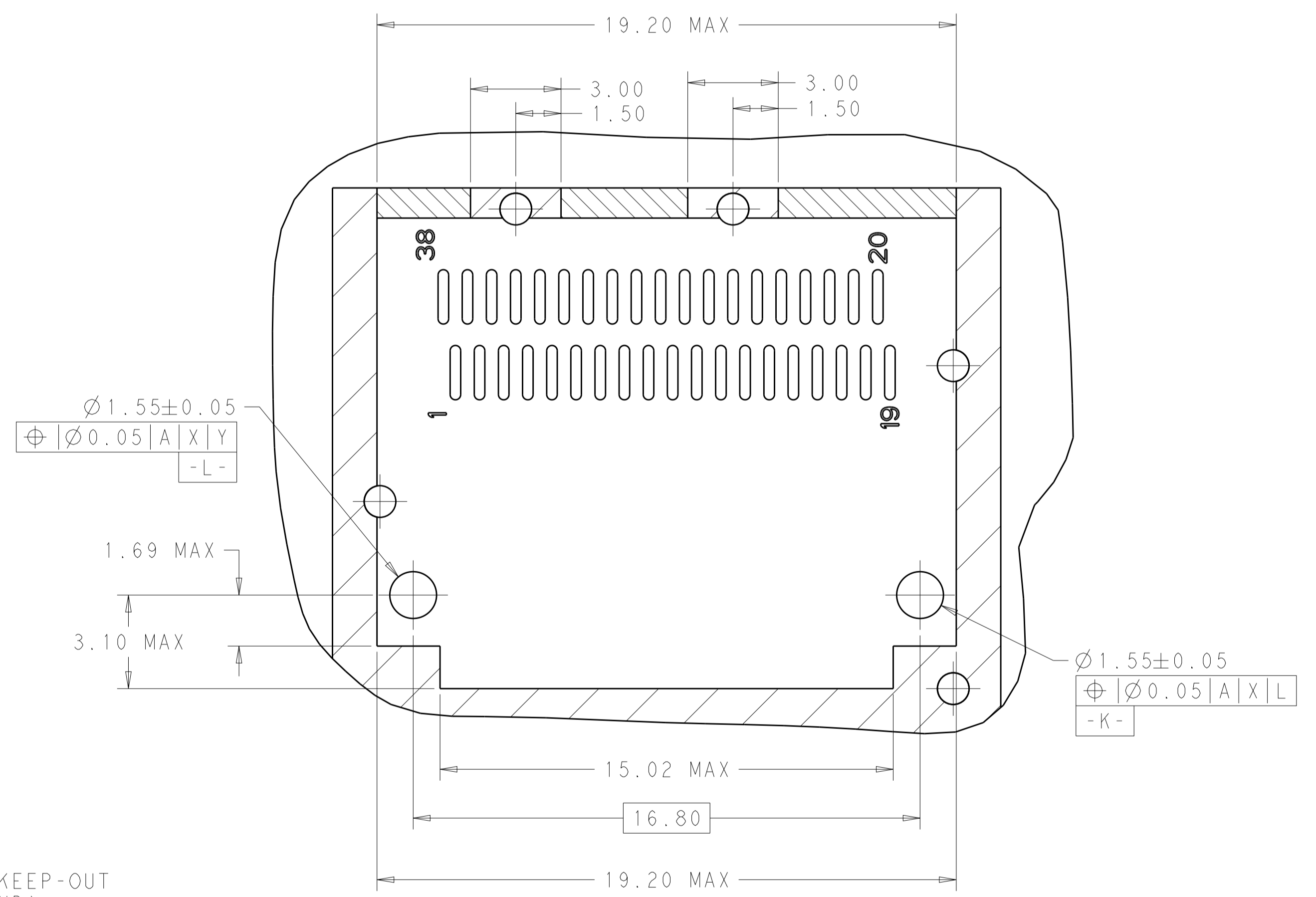
RECOMMENDED PCB LAYOUT  
 SINGLE TYPE OF 2 REAR HOLES OF LEGS  
 PCB TOLERANCE:  $\pm 0.05$   
 SCALE 6:1



RECOMMENDED PCB LAYOUT  
 SINGLE TYPE OF 1 REAR HOLES OF LEGS  
 PCB TOLERANCE:  $\pm 0.05$   
 SCALE 6:1



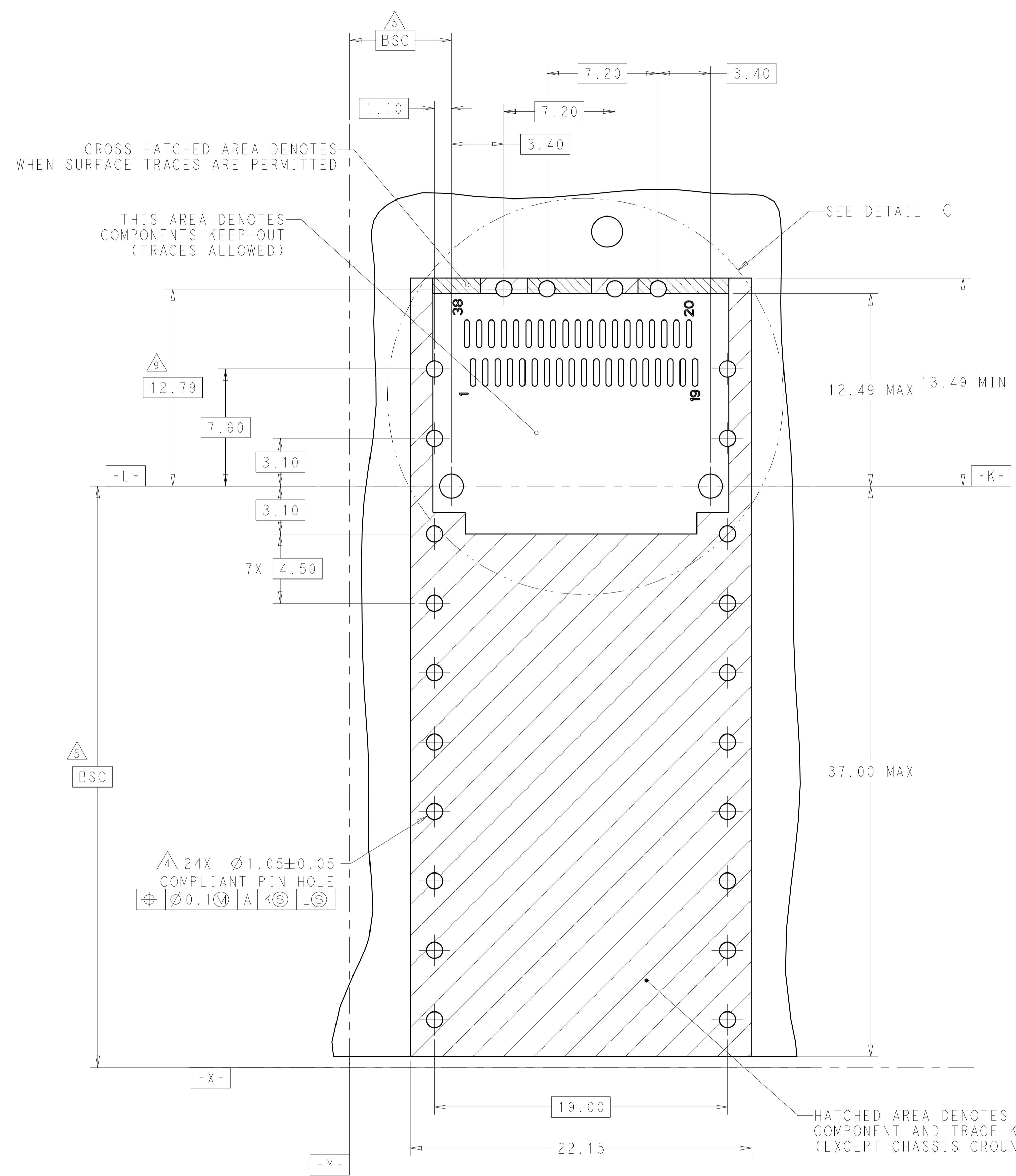
RECOMMENDED PCB LAYOUT  
 SINGLE TYPE OF 0 REAR HOLES OF LEGS  
 PCB TOLERANCE:  $\pm 0.05$   
 SCALE 6:1



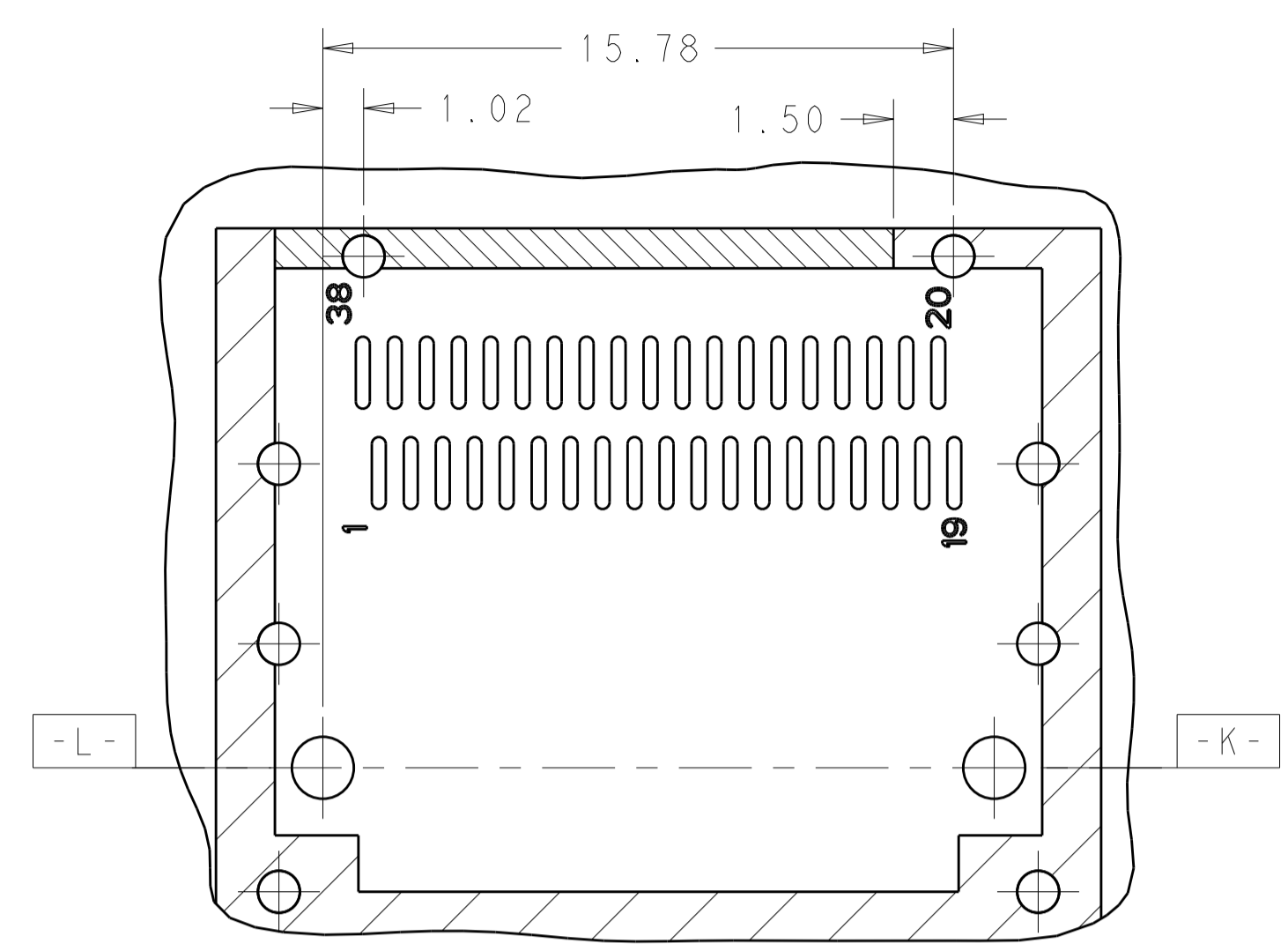
DETAIL B  
 SCALE 8:1

THIS DRAWING IS A CONTROLLED DOCUMENT.		OWN JASON YANG 23SEP2013	TE Connectivity
DIMENSIONS: mm		CHK SEAN HAN 23SEP2013	
TOLERANCES UNLESS OTHERWISE SPECIFIED:		APVD	NAME
0 PLC $\pm 0.25$	1 PLC $\pm 0.25$	2 PLC $\pm 0.25$	3 PLC $\pm 0.25$
4 PLC $\pm 0.100$	ANGLES $\pm$	FINISH	PRODUCT SPEC 108-19428
MATERIAL	FINISH	WEIGHT	APPLICATION SPEC
			114-32023
			SIZE CAGE CODE DRAWING NO
			A100779C=2170704
			RESTRICTED TO
			CUSTOMER DRAWING
			SCALE 2:1 SHEET 7 OF 8 REV E

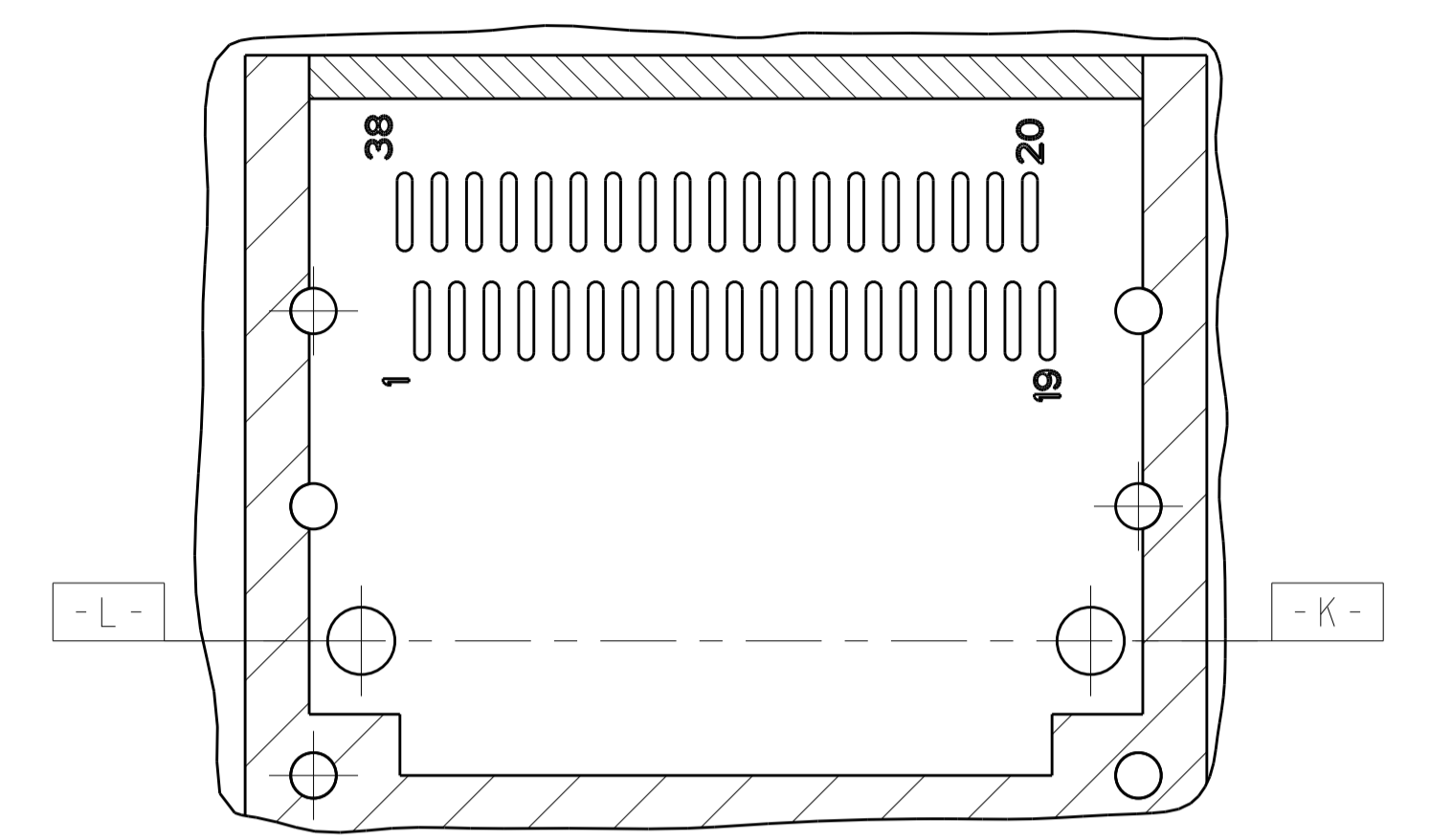
LOC	DIST	REV	DATE	BY	APPV
-	-	1	SEE SHEET 1	-	-



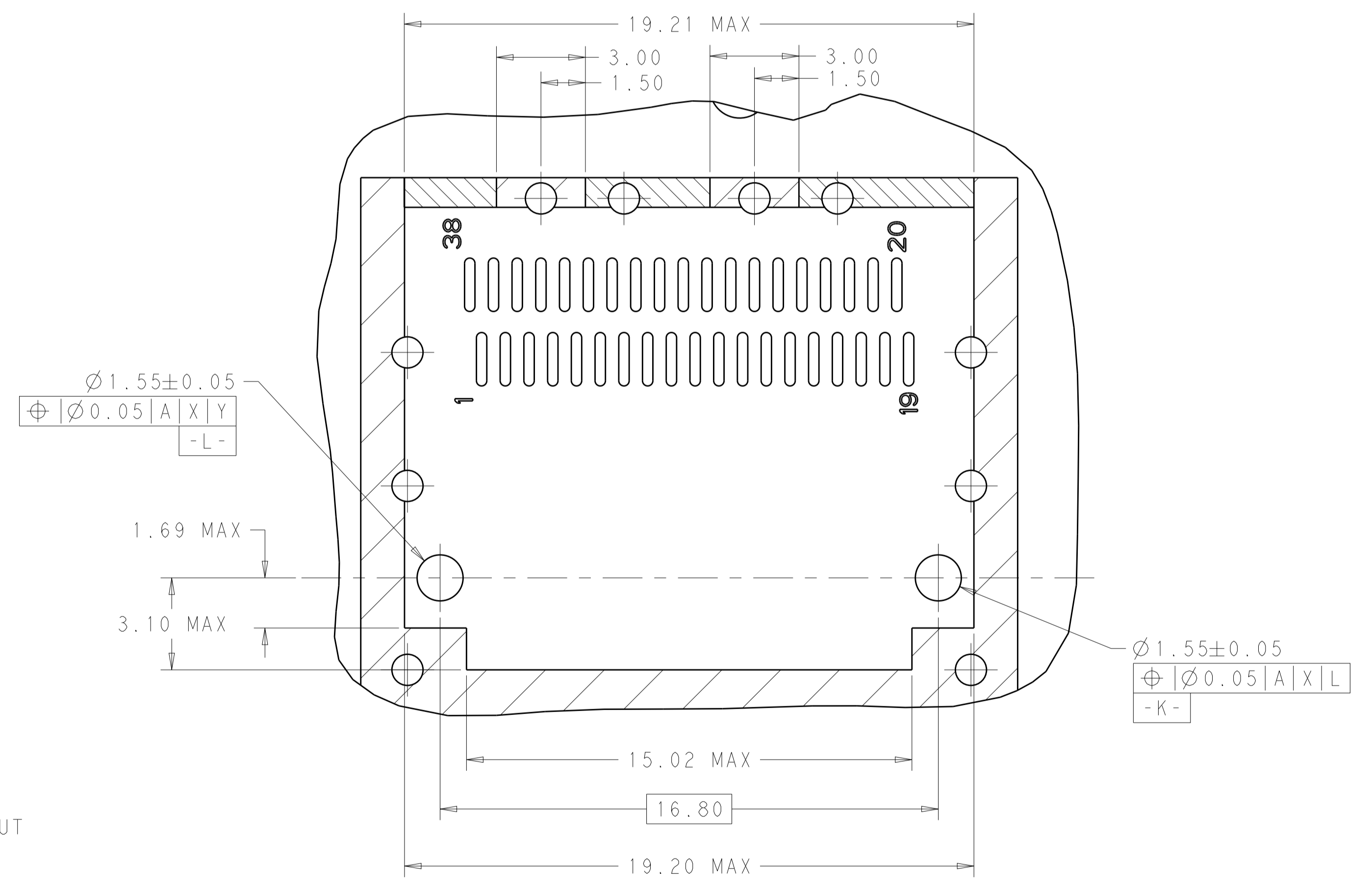
RECOMMENDED PCB LAYOUT  
BELLY TO BELLY TYPE OF 2 REAR HOLES OF LEGS  
PCB TOLERANCE: ±0.05  
SCALE 6:1



RECOMMENDED PCB LAYOUT  
BELLY TO BELLY TYPE OF 1 REAR HOLES OF LEGS  
PCB TOLERANCE: ±0.05  
SCALE 6:1



RECOMMENDED PCB LAYOUT  
BELLY TO BELLY TYPE OF 0 REAR HOLES OF LEGS  
PCB TOLERANCE: ±0.05  
SCALE 6:1



DETAIL C  
SCALE 8:1

THIS DRAWING IS A CONTROLLED DOCUMENT.		DWN: JASON YANG 23SEP2013 CHK: SEAN HAN 23SEP2013 APVD:	NAME: CAGE ASSEMBLY, QSFP28, THRU BEZEL WITH EMI SPRING FINGER HEAT SINK PRODUCT SPEC: 108-19428 APPLICATION SPEC: 114-32023 WEIGHT:	SIZE: A1 CAGE CODE: 00779 DRAWING NO: C=2170704 CUSTOMER DRAWING	RESTRICTED TO:
DIMENSIONS: mm TOLERANCES UNLESS OTHERWISE SPECIFIED: 0 PLC ±0.25 1 PLC ±0.25 2 PLC ±0.25 3 PLC ±0.25 4 PLC ±0.100 ANGLES ±°	MATERIAL:	FINISH:	SCALE: 2:1	SHEET: 8 OF 8	REV: E