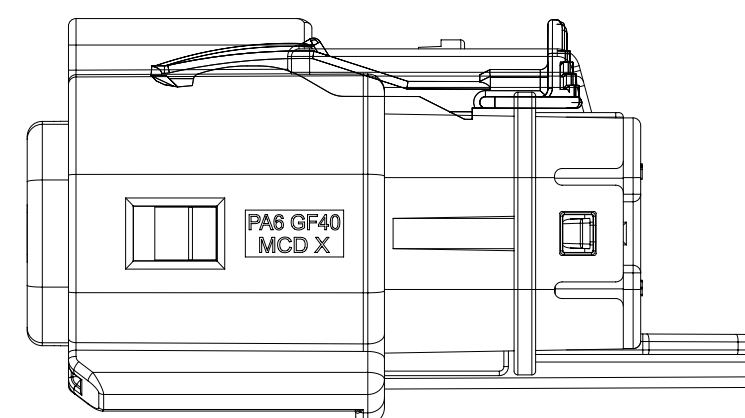
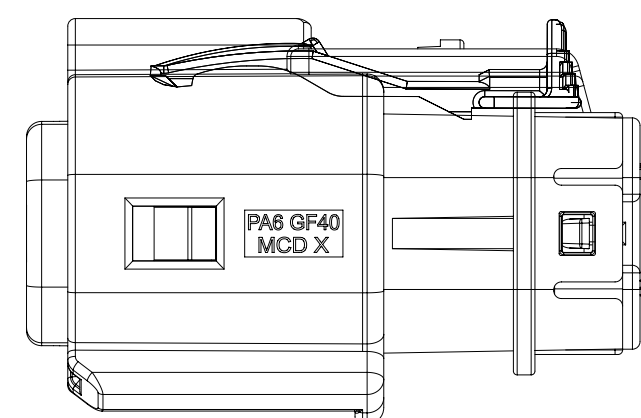


SHEET DESCRIPTION

CONFIGURATIONS



12W HYBRID W/ EXTENED CLIPSLOT

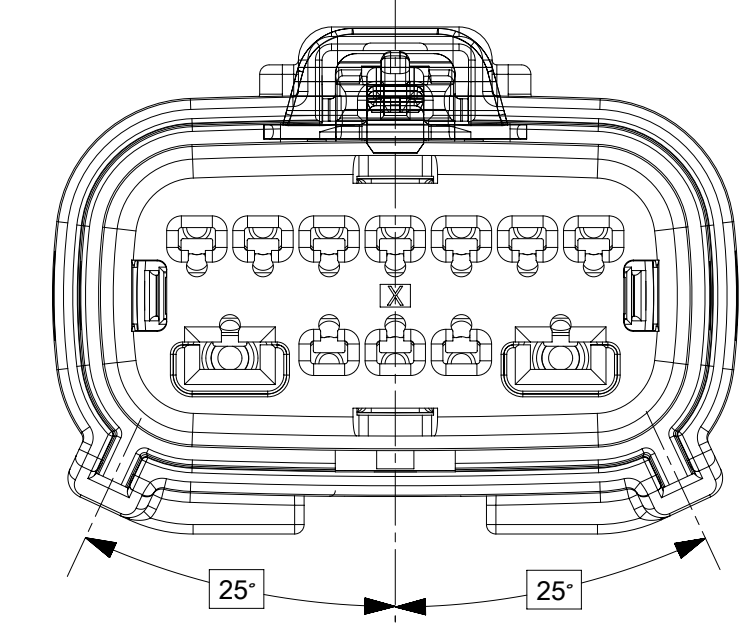


12W HYBRID NON-CLIPSLOT

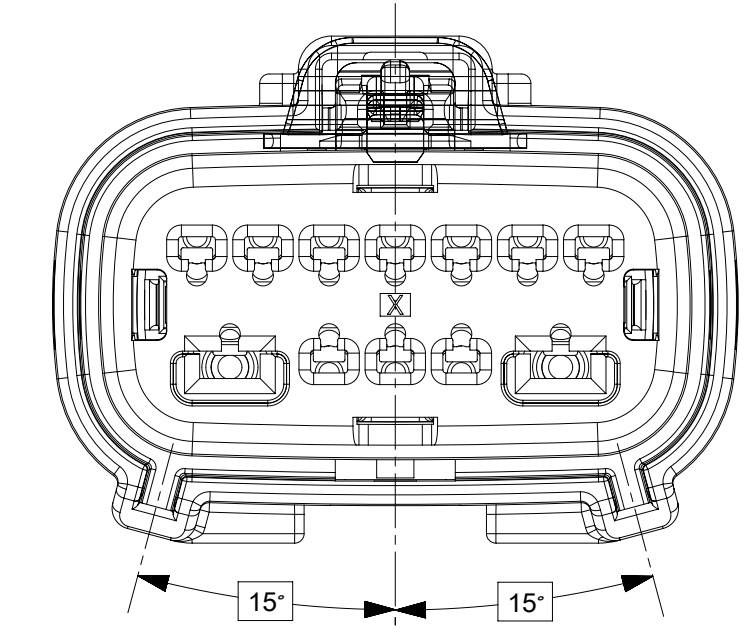
THIS DRAWING CONTAINS INFORMATION THAT IS PROPRIETARY TO MOLEX ELECTRONIC TECHNOLOGIES, LLC AND SHOULD NOT BE USED WITHOUT WRITTEN PERMISSION											
QUALITY SYMBOLS F = 0 E = 0 D = 0 C = 0 B = 0 A = 0 0 = 0	EC NO: 634309 DRWN: HKLIANG CHKD: JDENG02 REV: APPR: JDENG02	GENERAL TOLERANCES (UNLESS SPECIFIED) DIMENSION UNITS: mm SCALE: 2:1		DRWN BY: ADING03 DATE: 2017/01/16							
		ANGULAR TOL ± ° 4 PLACES ± 3 PLACES ± 2 PLACES ± 1 PLACE ± 0 PLACES ±		CHKD BY: [blank] DATE: [blank]							
DRAFT WHERE APPLICABLE MUST REMAIN WITHIN DIMENSIONS		DRAWING SIZE: D THIRD ANGLE PROJECTION		APPR BY: KDEKOSKI DATE: 2017/01/17		SERIES: 160111 MATERIAL NUMBER: CHARTED		CUSTOMER: [blank]			
D2		DOCUMENT NUMBER: 1601110000		DOC TYPE: PSD DOC PART: 000		SHEET NUMBER: 2 OF 7					

SHEET DESCRIPTION
KEY CONFIGURATIONS

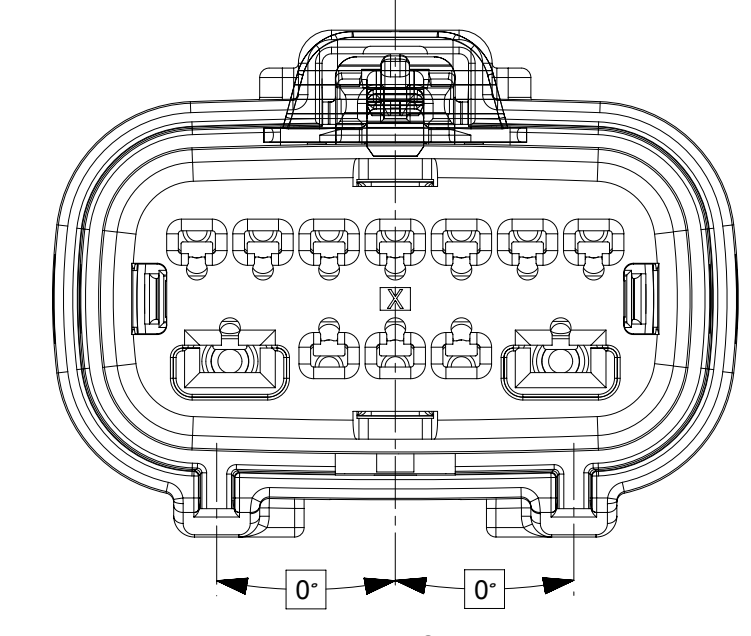
12W HYBRID



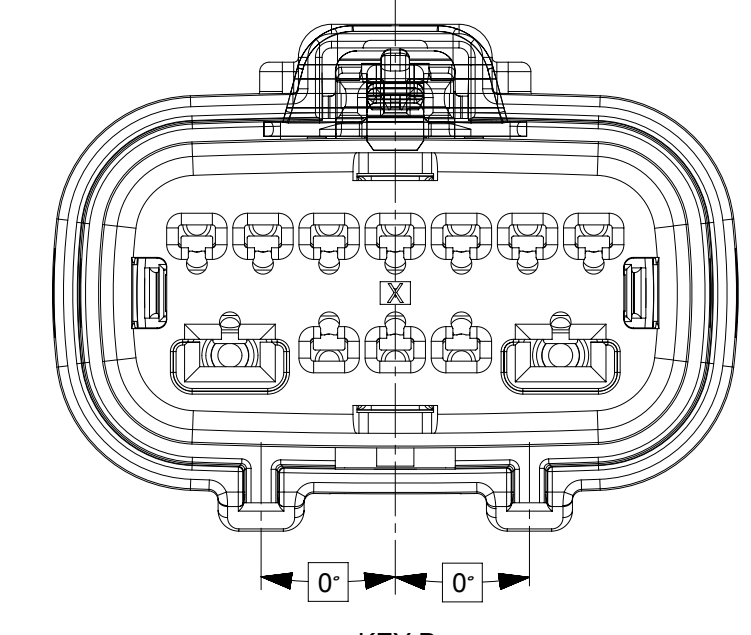
KEY A



KEY B



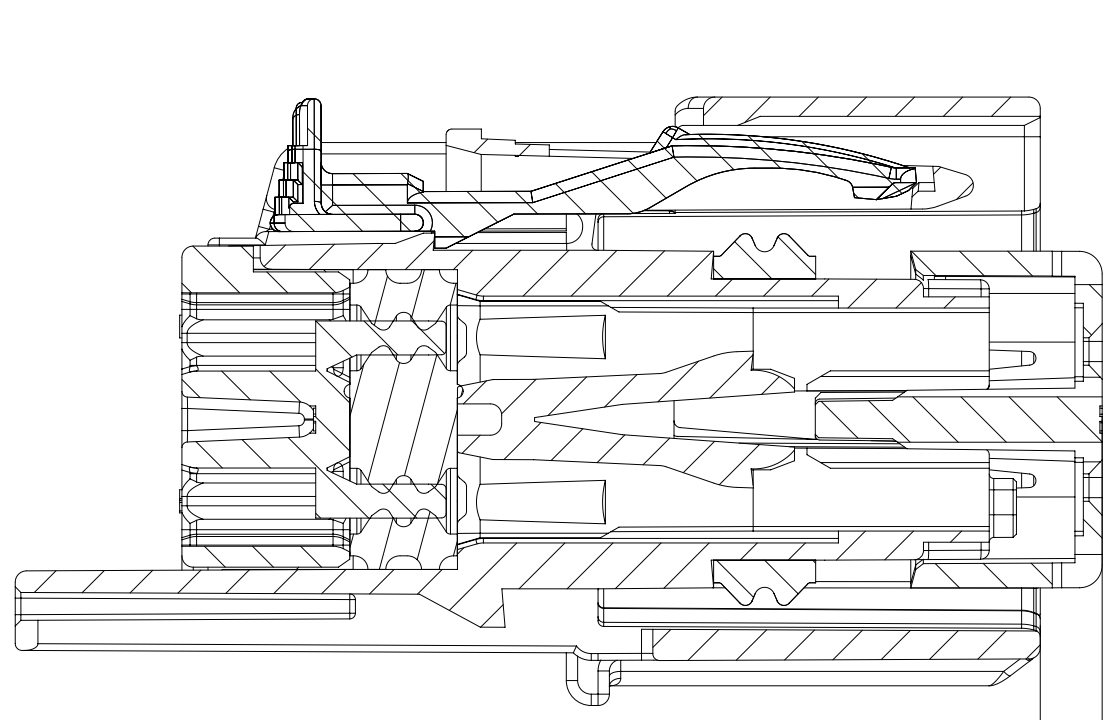
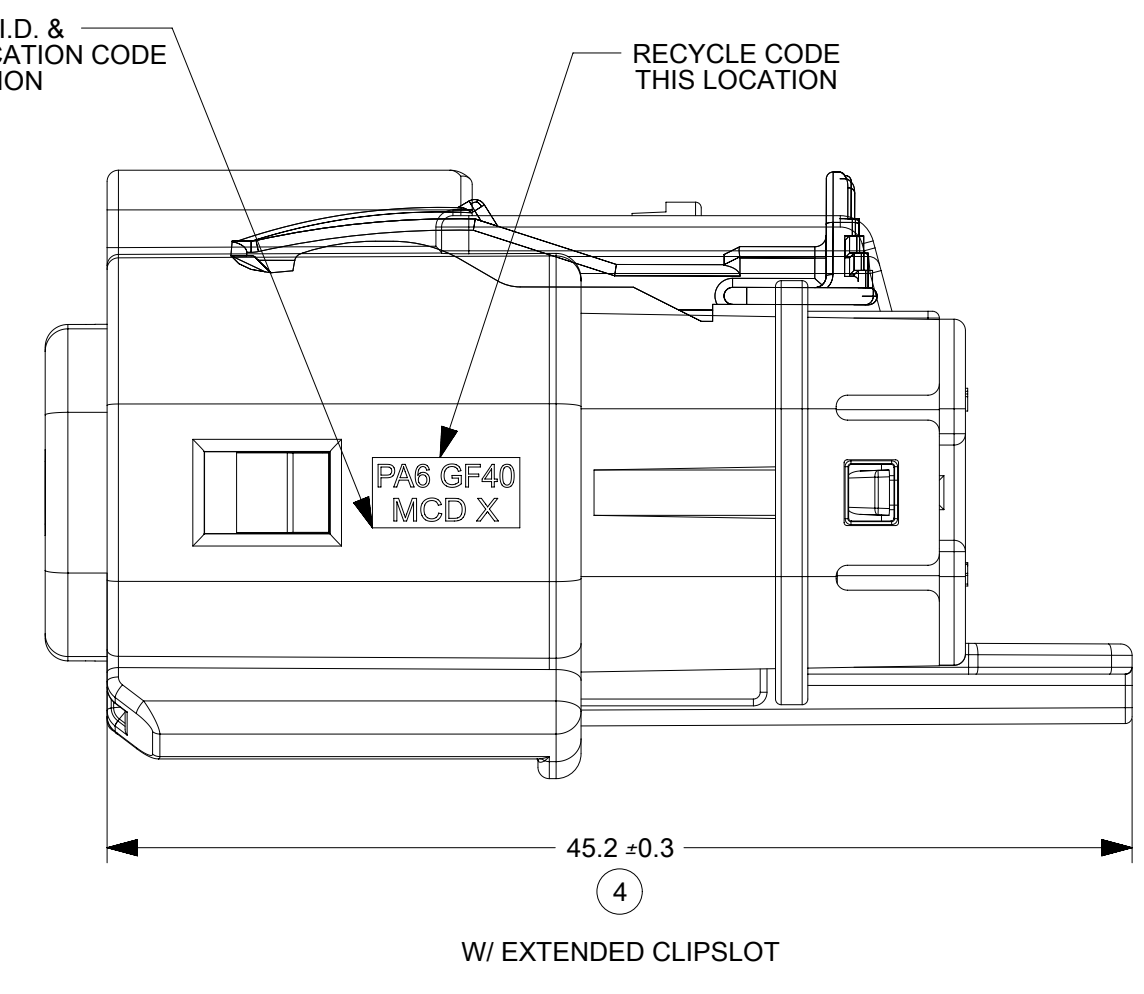
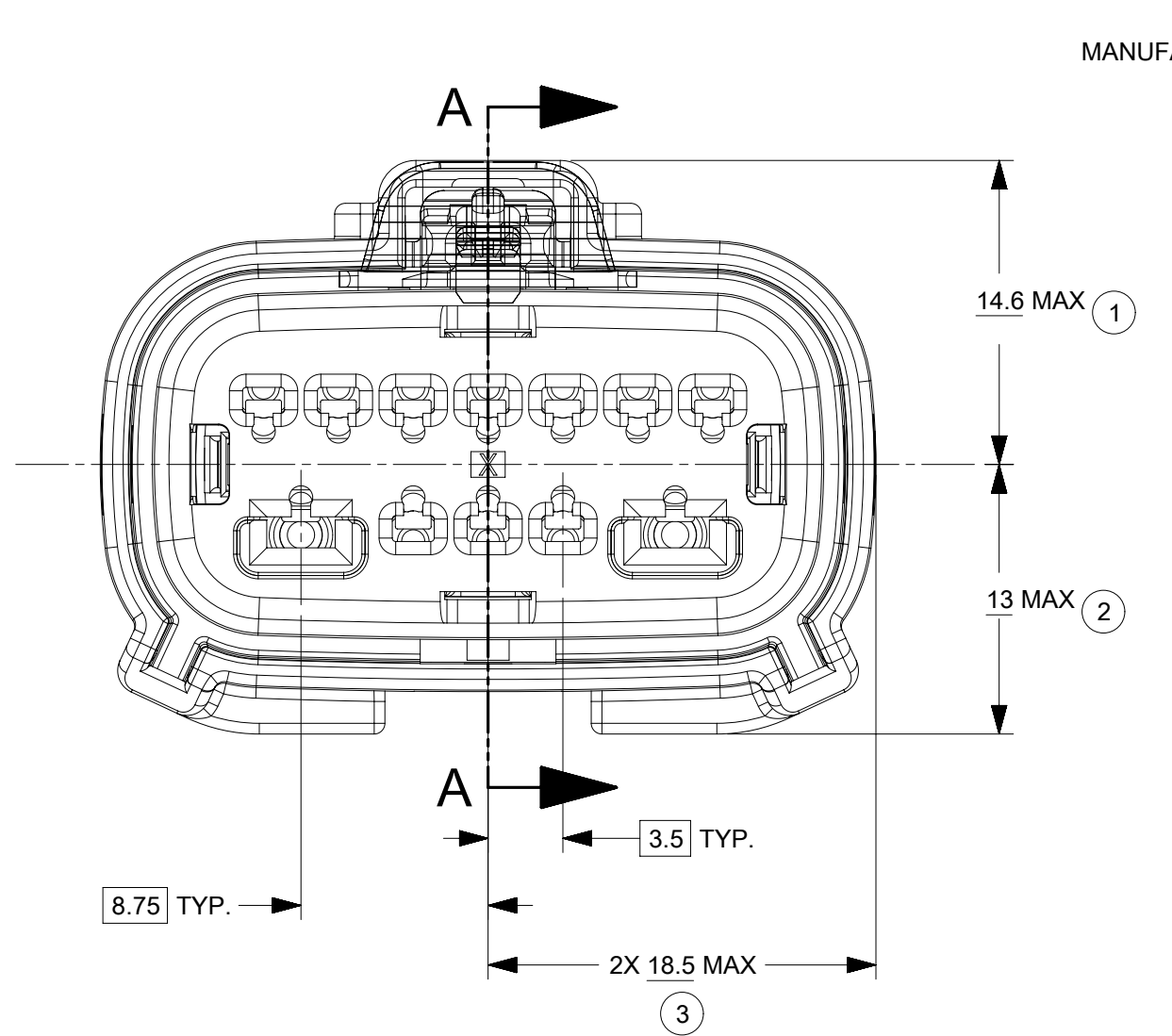
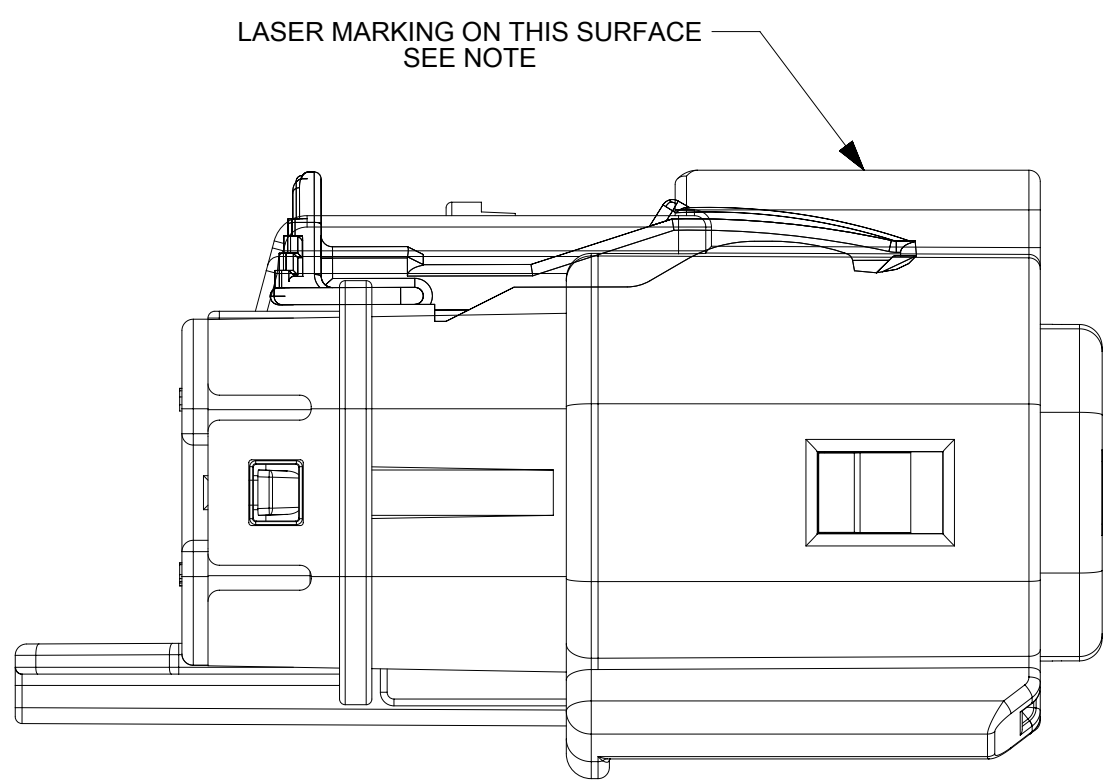
KEY C



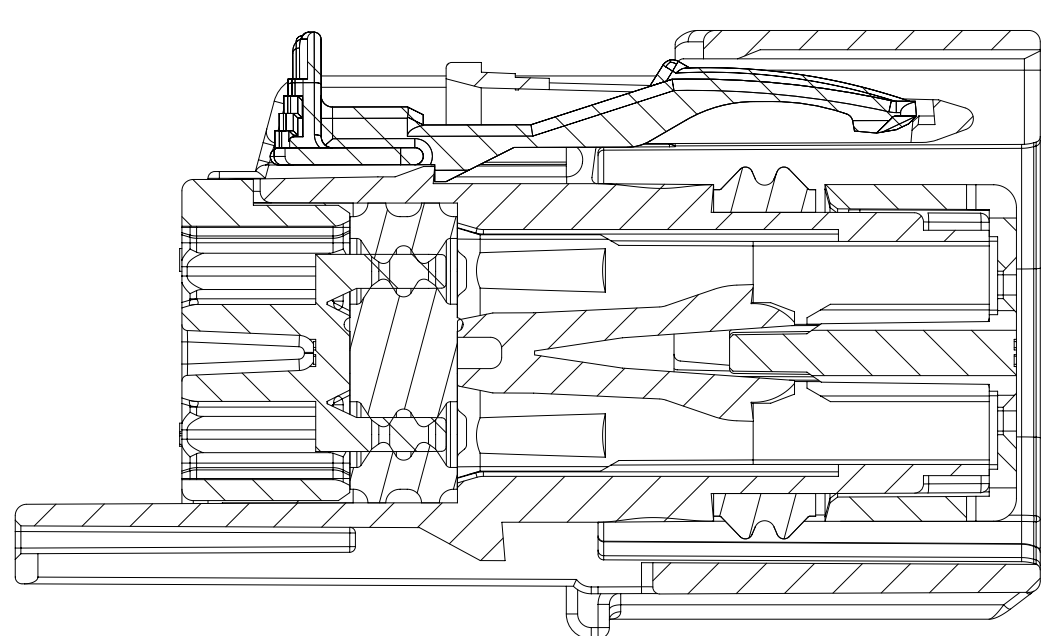
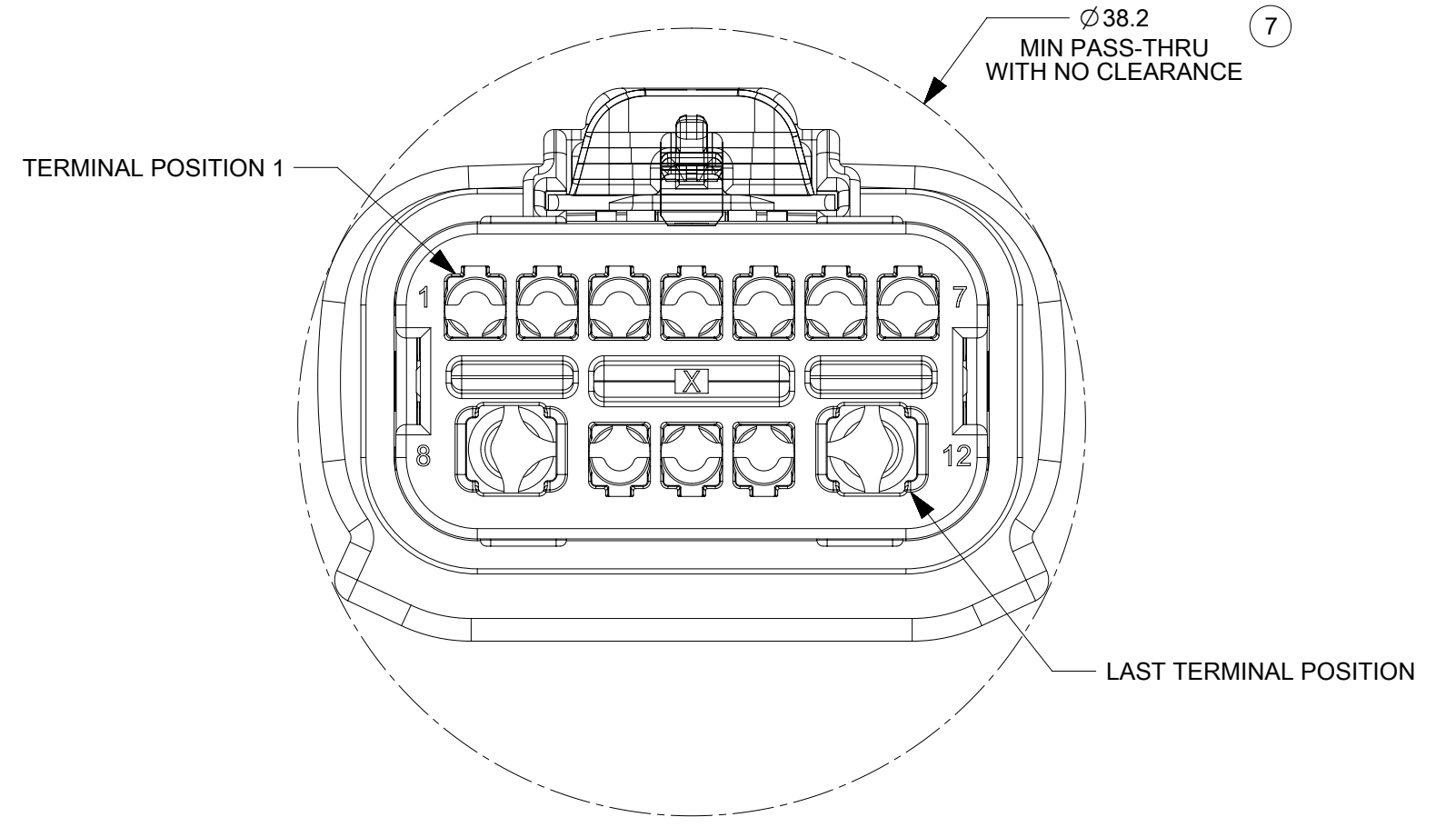
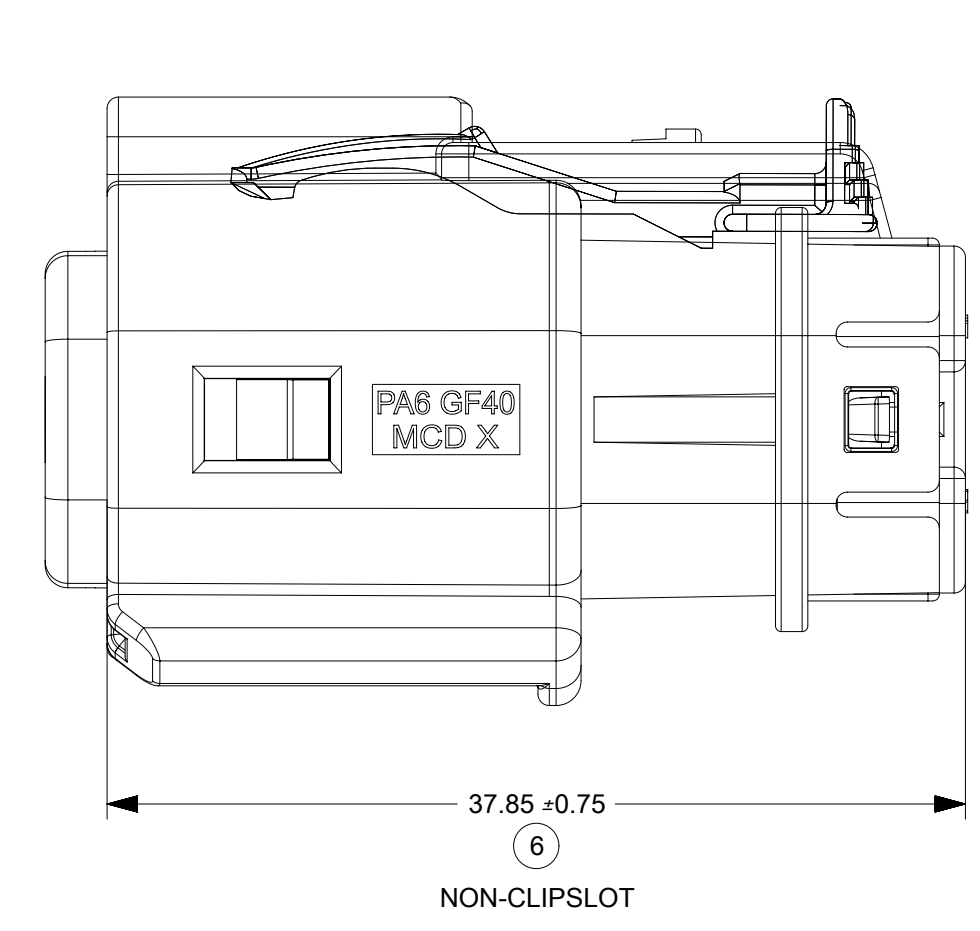
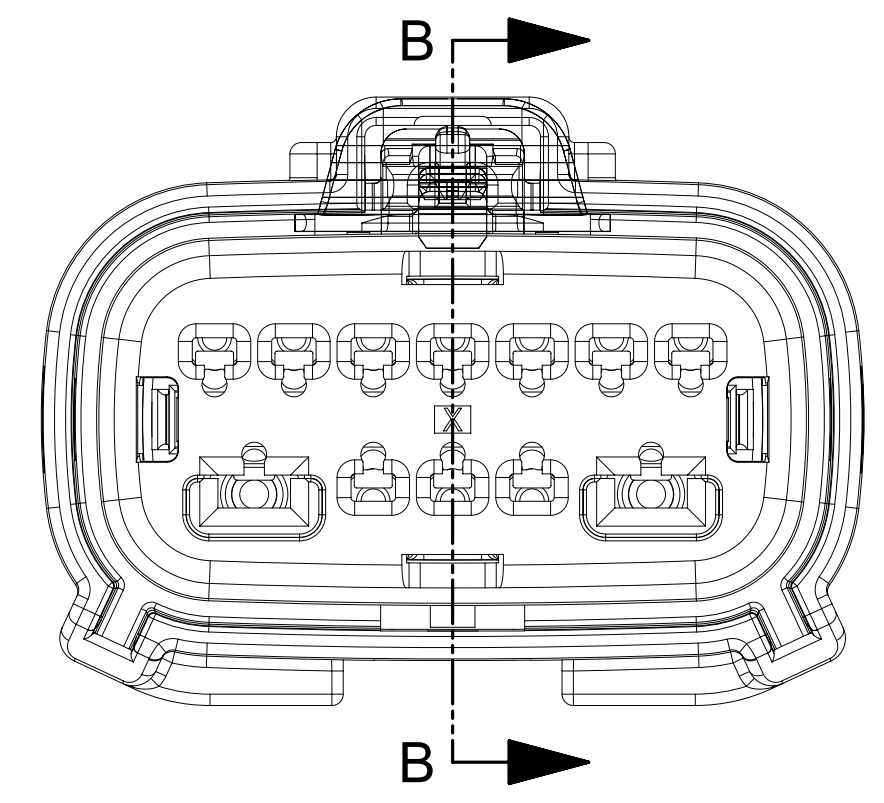
KEY D

QUALITY SYMBOLS = 0 = 0 = 0 = 0 = 0 = 0 = 0 = 0 = 0		THIS DRAWING CONTAINS INFORMATION THAT IS PROPRIETARY TO MOLEX ELECTRONIC TECHNOLOGIES, LLC AND SHOULD NOT BE USED WITHOUT WRITTEN PERMISSION EC NO: 634309 DRWN: HKLIANG CHKD: JDENG02 REV: APPR: JDENG02 2020/03/19 2020/03/23 2020/03/23		GENERAL TOLERANCES (UNLESS SPECIFIED) DIMENSION UNITS: mm SCALE: 3:1 ANGULAR TOL ±: ° 4 PLACES ± 3 PLACES ± 2 PLACES ± 1 PLACE ± 0 PLACES ± DRAFT WHERE APPLICABLE MUST REMAIN WITHIN DIMENSIONS		DRWN BY: ADING03 DATE: 2017/01/16 CHKD BY: [blank] DATE: [blank] APPR BY: KDEKOSKI DATE: 2017/01/17 DRAWING SIZE: D THIRD ANGLE PROJECTION:		 MX150 HYBRID MAT SEAL RCPT CONN ASM PRODUCT CUSTOMER DRAWING SERIES: 160111 MATERIAL NUMBER: CHARTED CUSTOMER: [blank]					
RELEASE STATUS	P1	RELEASE DATE	2020/03/23	07:46:49	D2	DOCUMENT NUMBER	1601110000	DOC TYPE	PSD	DOC PART	000	SHEET NUMBER	3 OF 7

SHEET DESCRIPTION
RECEPTACLE CONNECTOR ASSEMBLY



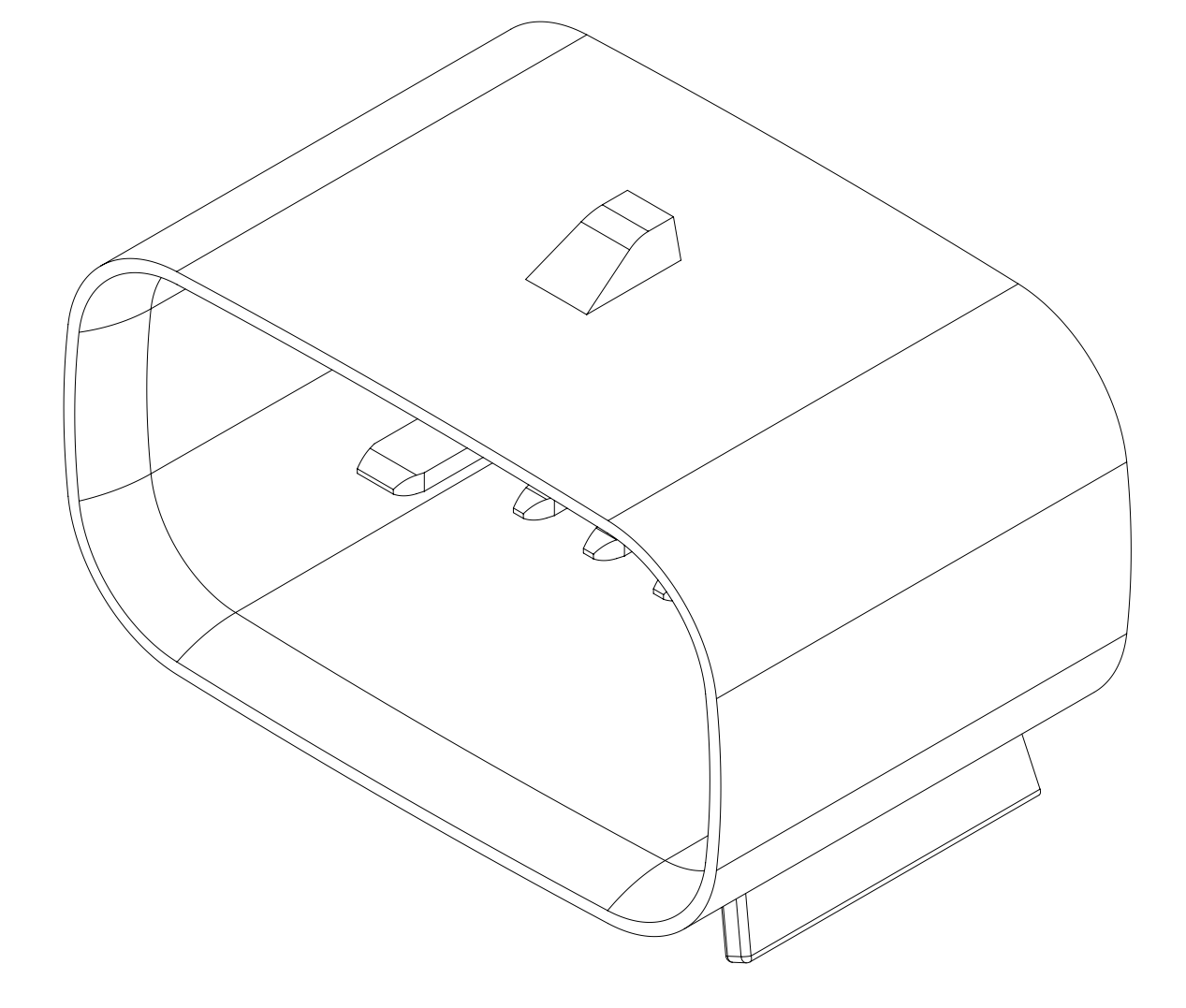
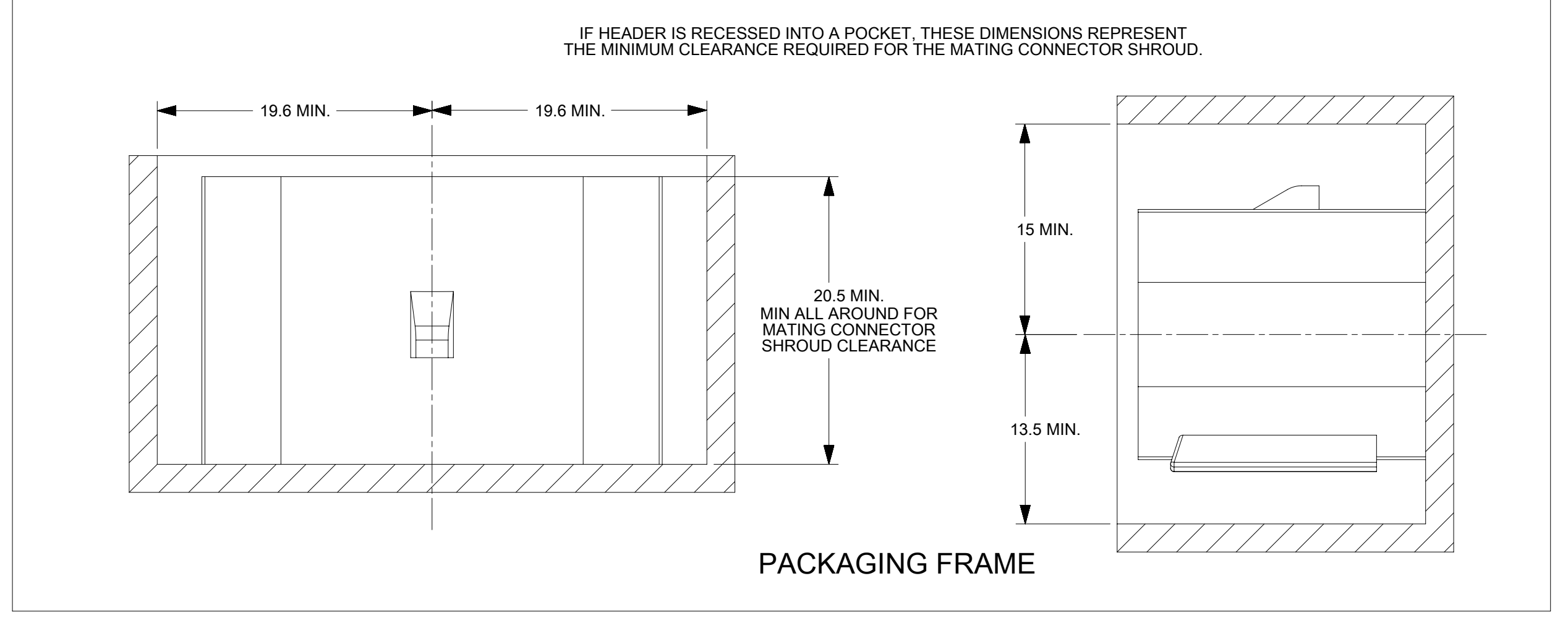
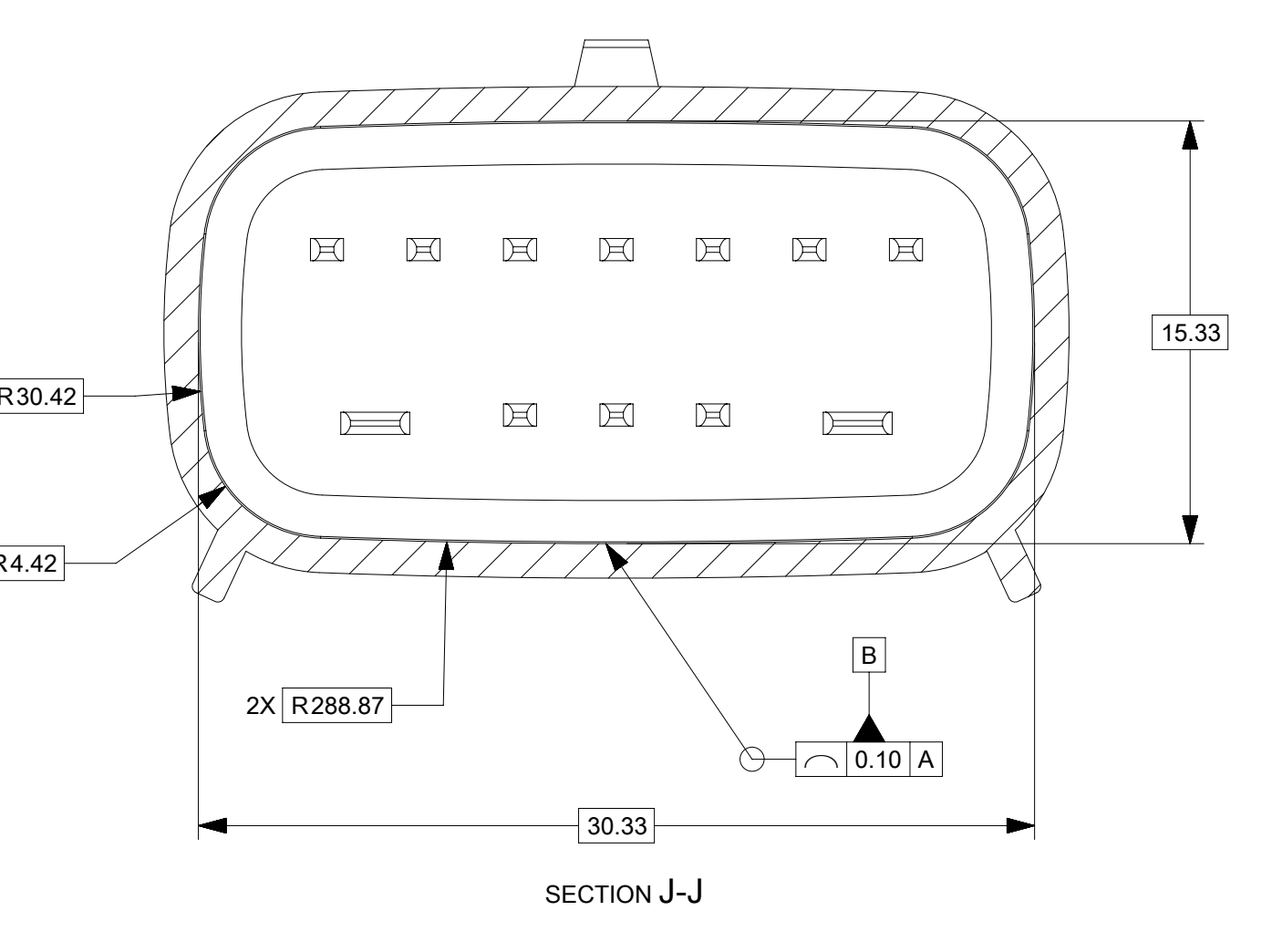
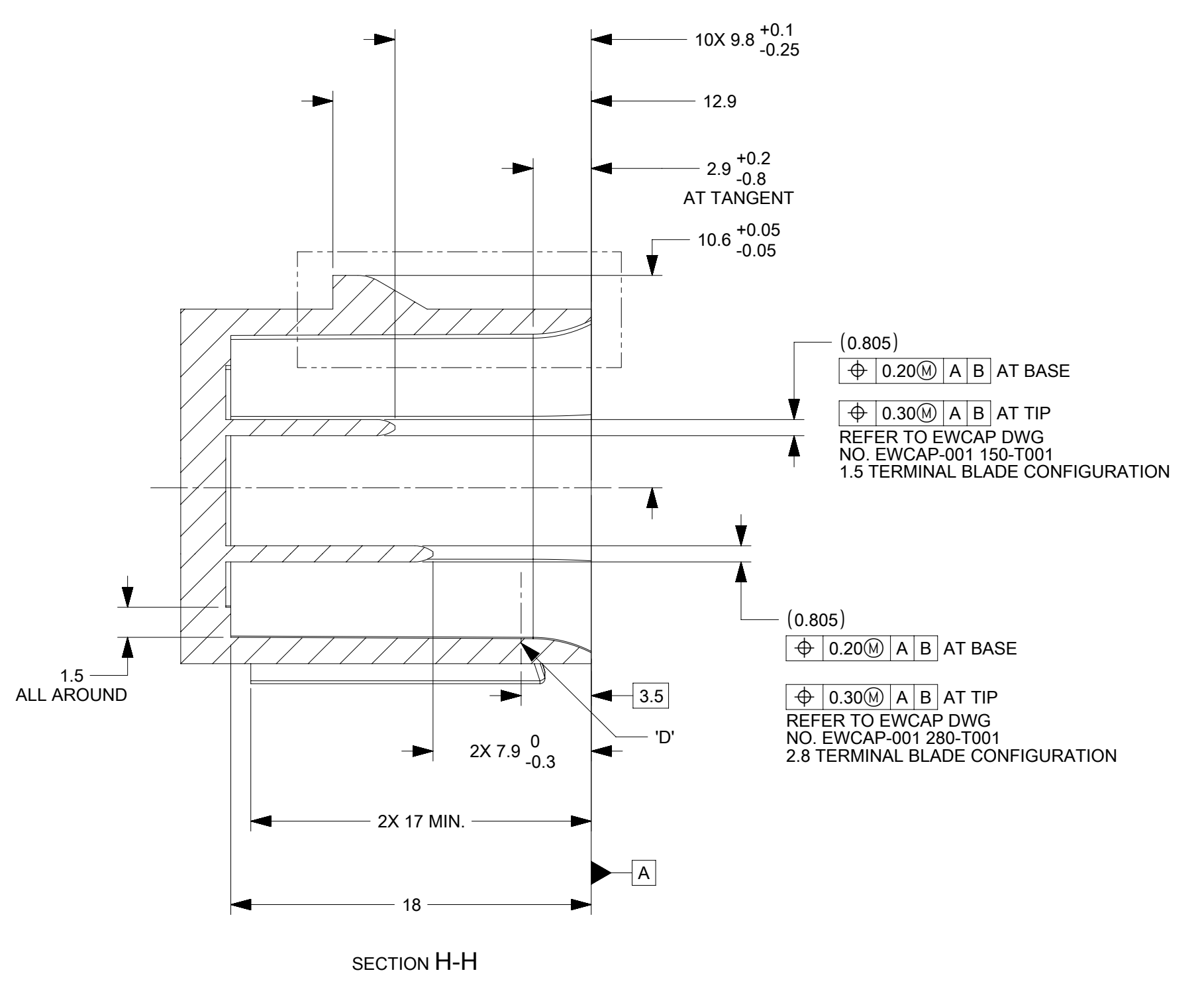
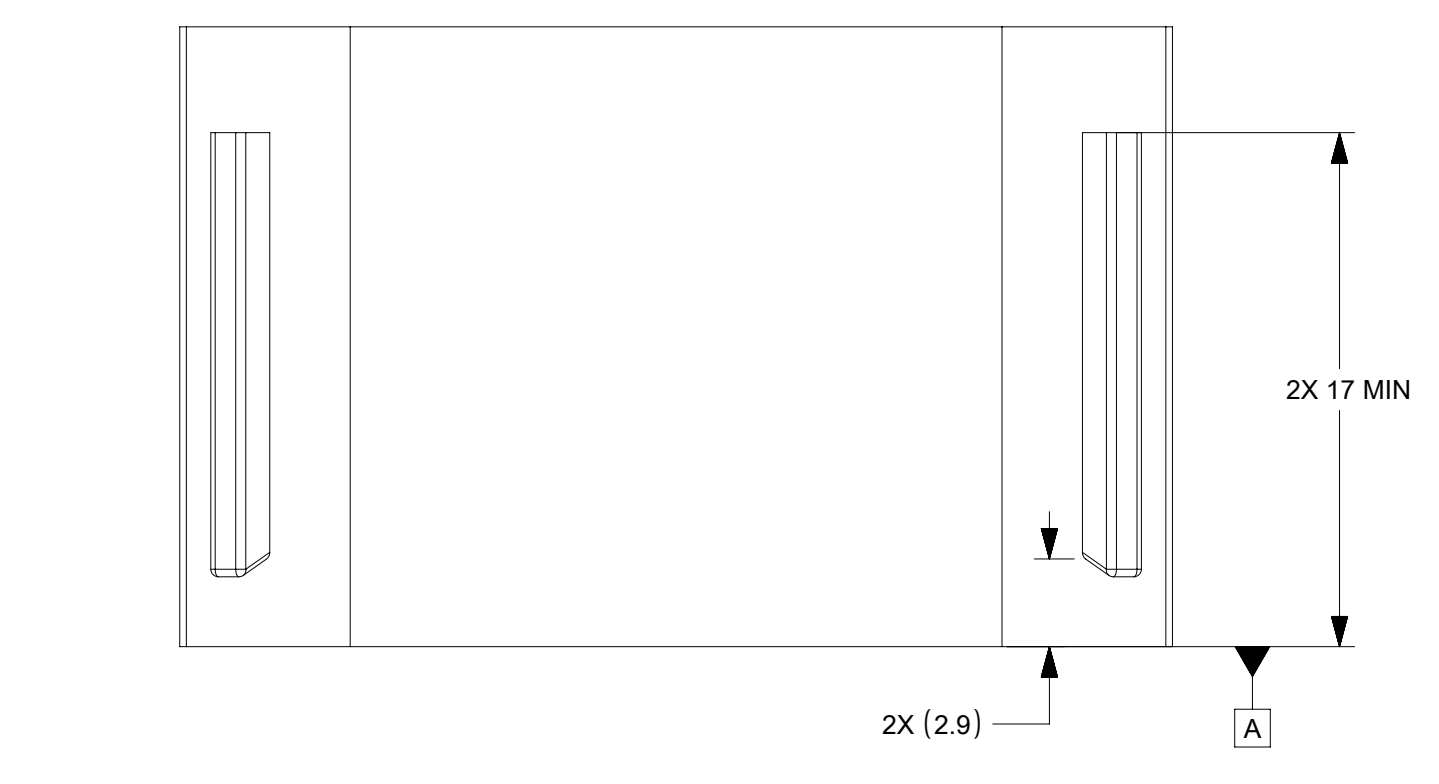
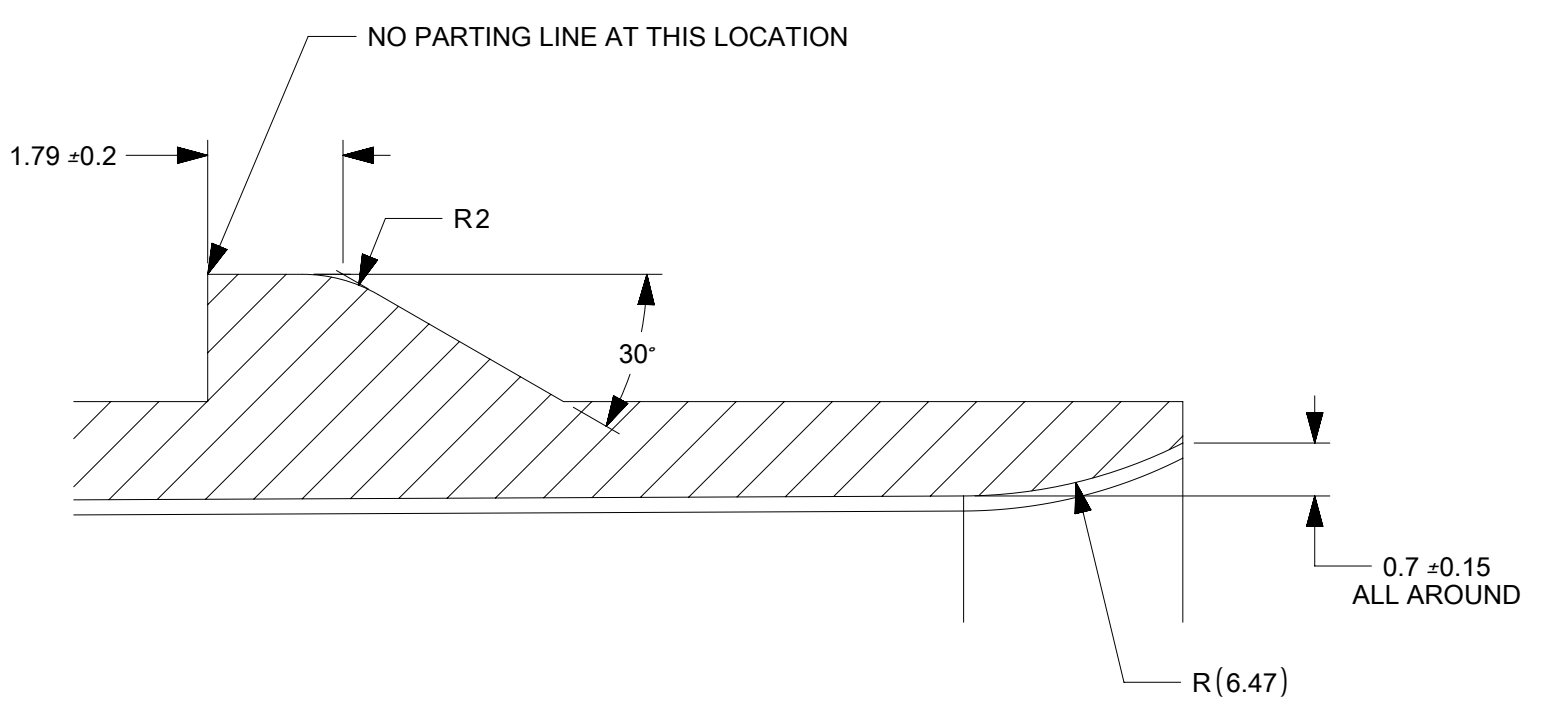
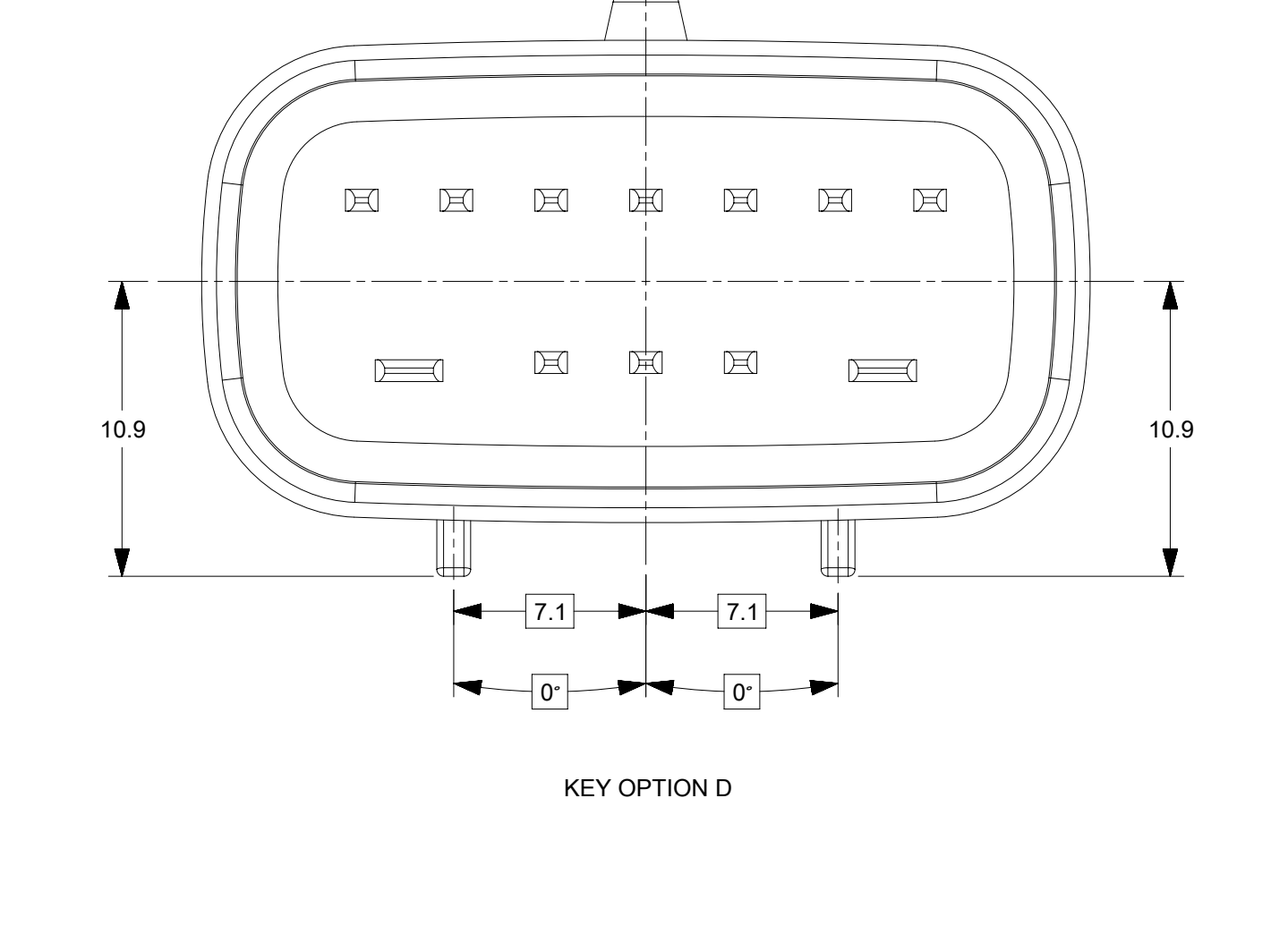
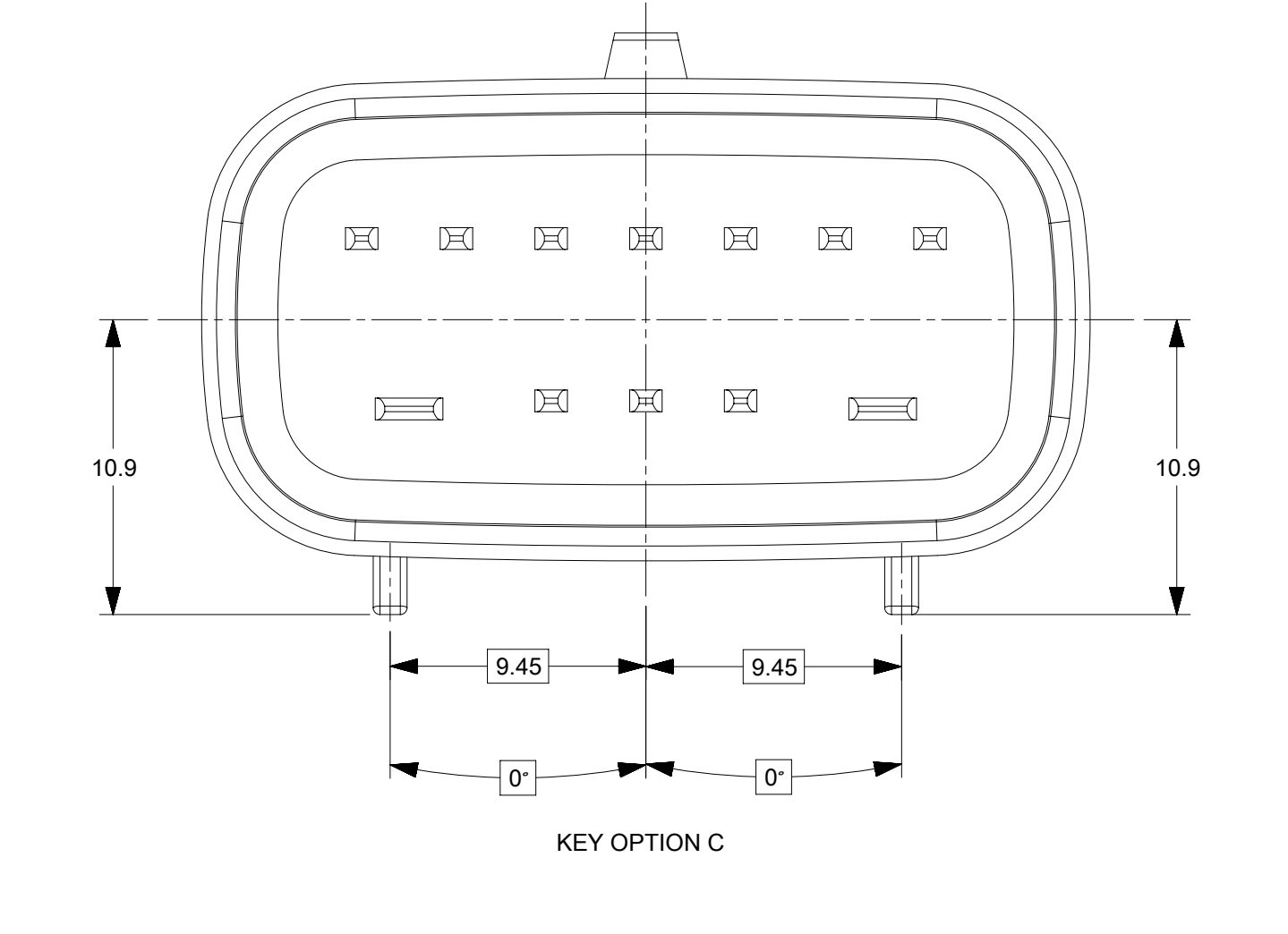
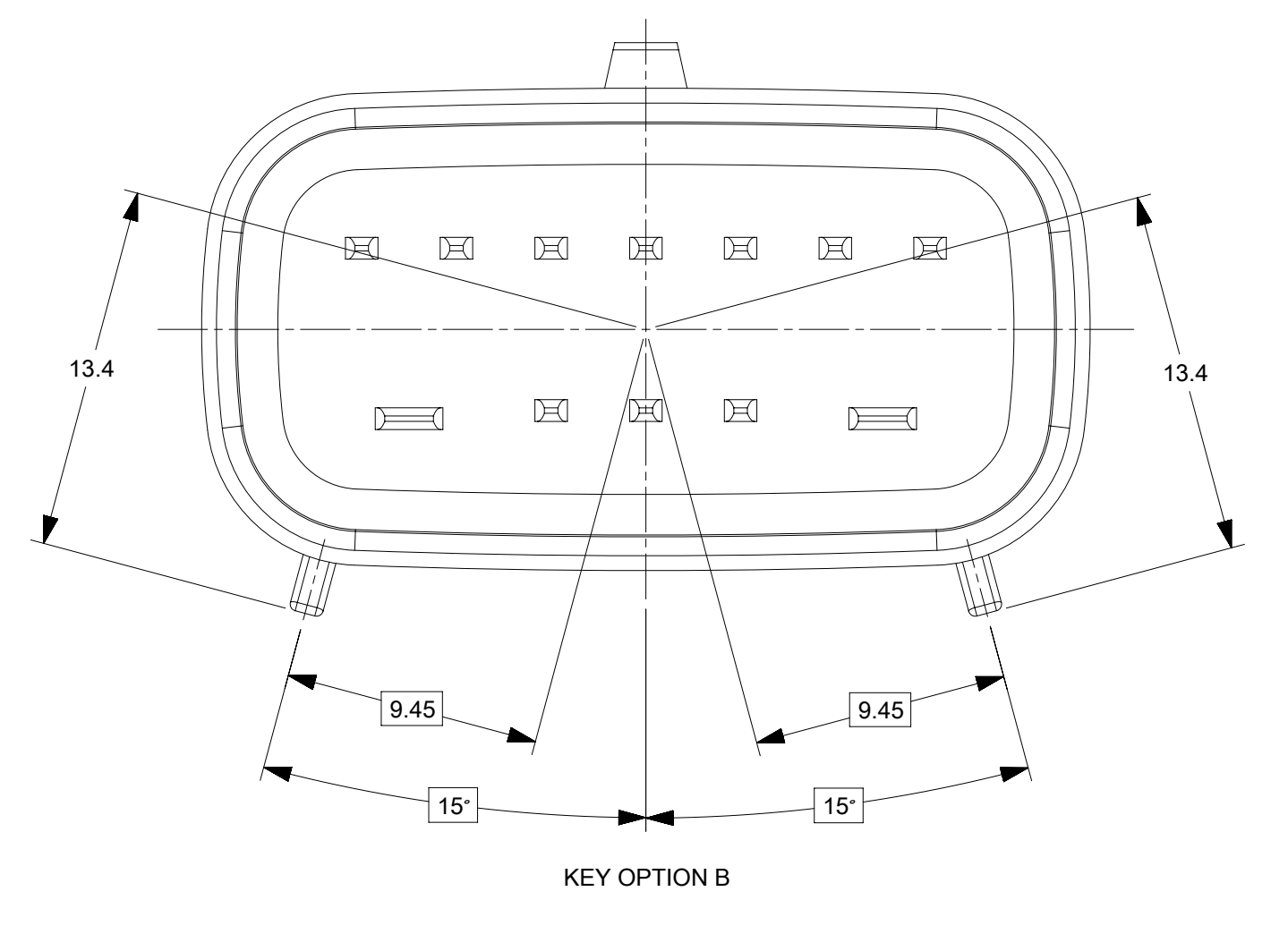
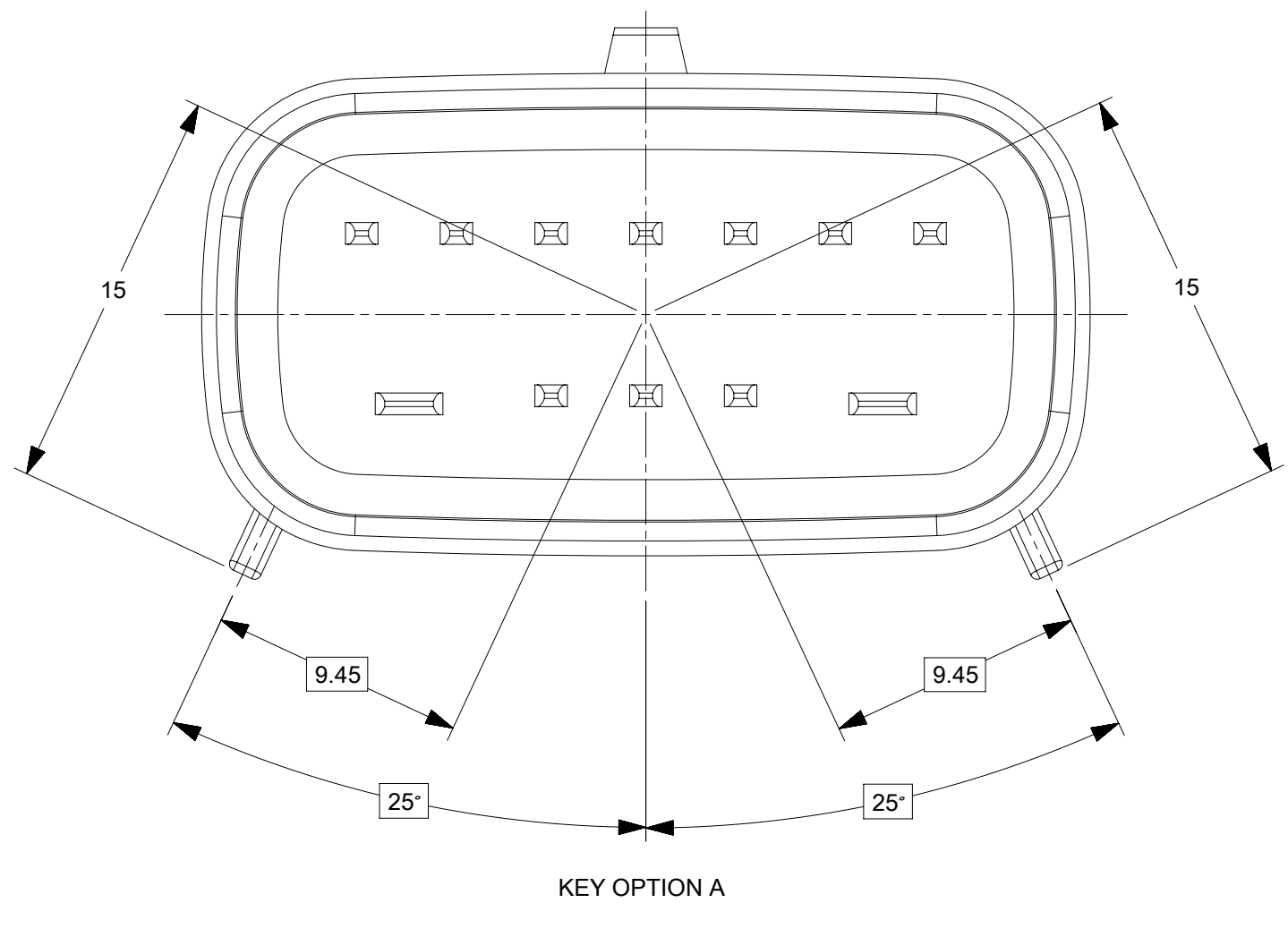
PRIMARY LOCK REINFORCEMENT (PLR) SHOWN IN PRE-STAGED POSITION
SECTION A-A



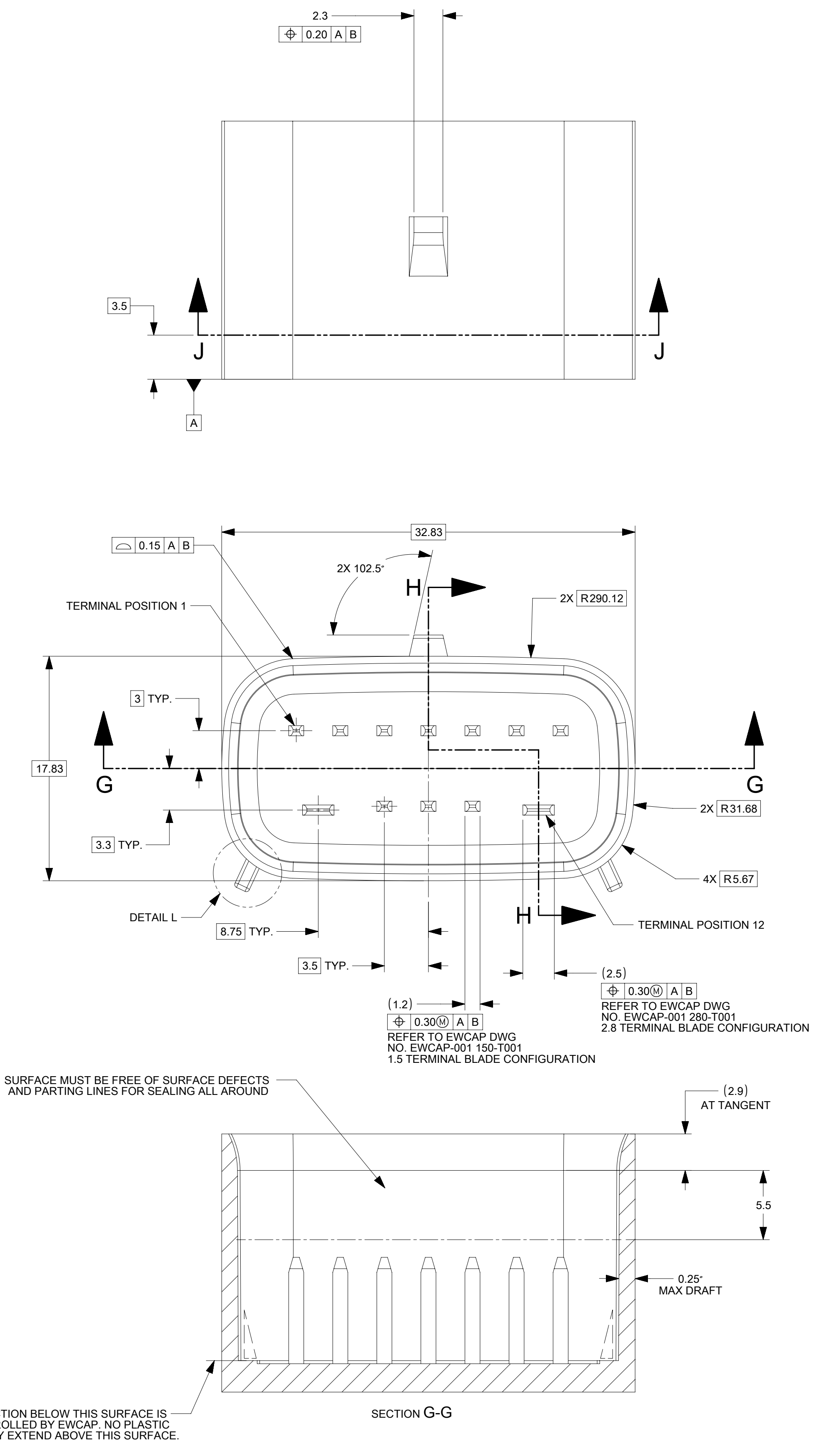
PRIMARY LOCK REINFORCEMENT (PLR) SHOWN IN FINAL-STAGED POSITION
SECTION B-B

THIS DRAWING CONTAINS INFORMATION THAT IS PROPRIETARY TO MOLEX ELECTRONIC TECHNOLOGIES, LLC AND SHOULD NOT BE USED WITHOUT WRITTEN PERMISSION									
QUALITY SYMBOLS F = 0 E = 0 D = 0 C = 0 B = 0 A = 0 □ = 0 ■ = 0 ▽ = 0	EC NO: 634309 DRWN: HKLIANG CHKD: JDENG02 REV: APPR: JDENG02	GENERAL TOLERANCES (UNLESS SPECIFIED) DIMENSION UNITS: mm SCALE: 4:1		DRWN BY: ADING03 DATE: 2017/01/16		 MX150 HYBRID MAT SEAL RCPT CONN ASM			
		ANGULAR TOL ± ° 4 PLACES ± 3 PLACES ± 2 PLACES ± 1 PLACE ± 0 PLACES ±		CHKD BY: DATE APPR BY: KDEKOSKI DATE: 2017/01/17					
DRAFT WHERE APPLICABLE MUST REMAIN WITHIN DIMENSIONS		DRAWING SIZE: D THIRD ANGLE PROJECTION		SERIES: 160111 MATERIAL NUMBER: CHARTED		CUSTOMER:			
D2		DOCUMENT NUMBER: 1601110000		DOC TYPE: PSD DOC PART: 000		SHEET NUMBER: 4 OF 7			

SHEET DESCRIPTION
12W HYBRID INTERFACE DEFINITION



- NOTES: UNLESS OTHERWISE SPECIFIED
- ALL DIMENSIONS SHOWN IN MILLIMETERS.
 - DIMENSIONING AND TOLERANCING PER ASME Y14.5M-1994
 - 0.25 RADII ON ALL CORNERS SHOWN SHARP.
 - UNSPECIFIED RADII: 0.25 EXCEPT AS NOTED.
 - STANDARD COLORS FOR POLARIZATION (SEE CHART). DEVIATION REQUIRES APPROVAL OF AUTHORIZED PERSON.
 - REFER TO "SAE/USCAR 12 CONNECTOR GUIDELINES" FOR ADDITIONAL REQUIREMENTS.
 - EXCEPT WHERE NOTED, DRAFT ON OUTSIDE SURFACES IS PERMISSIBLE WITHIN TOLERANCE.
 - SYMBOL INDICATES DRAFT DIRECTION.
 - FOR TERMINAL MATERIAL, DIMENSIONAL, AND COATING REQUIREMENTS AND ANY BLADE TERMINAL DESIGN INFORMATION NOT SHOWN ON THIS DRAWING SEE EWCAP DRW. NO. EWCAP-001
 - A FULL SHROUD ON THE MATING CONNECTOR IS REQUIRED TO INSURE THAT THE CONNECTOR-HEADER POLARIZATION FEATURES (OPTIONS A THRU D) WILL FUNCTION. THE FULL SHROUD ALSO PREVENT SCOOP DAMAGE TO THE HEADER PINS. REFER TO "SAE/USCAR-12 CONNECTOR DESIGN GUIDE LINES" FOR ADDITIONAL INFORMATION.
 - REFER TO USCAR/EWCAP PART LIST AS FOUND ON WEBSITE <http://www.uscarteams.org>
 - THIS IS 100% CAD GENERATED PART. THE CAD MATHEMATICAL DATA IS THE MASTER FOR THIS PART. FOR DIMENSIONAL OR ANY INFORMATION NOT SHOWN ON THIS DRAWING. ANALYZE THE CAD MODEL



NOTICE

THIS DRAWING OR PORTIONS OF IT, ARE CONTROLLED BY THE ELECTRICAL WIRING COMPONENTS APPLICATION PARTNERSHIP (EWCAP), A SUBGROUP OF THE UNITED STATES CONSORTIUM FOR AUTOMOTIVE RESEARCH LLC (USCAR). USCAR IS A PARTNERSHIP BETWEEN CHRYSLER GROUP LLC, FORD MOTOR COMPANY, AND GENERAL MOTORS CORPORATION. ANY CHANGE TO A EWCAP CONTROLLED PORTION OF THIS DRAWING, INCLUDING A "RECORD CHANGE" MUST BE APPROVED, IN WRITING, BY THE RESPONSIBLE EWCAP MEMBER FROM EACH USCAR COMPANY. EACH EWCAP MEMBER AUTHORIZED TO SIGN FOR HIS OR HER COMPANY IS RESPONSIBLE FOR OBTAINING ALL NECESSARY APPROVALS WITHIN THAT COMPANY PRIOR TO SIGNING FOR APPROVAL OF THE CHANGE. EWCAP EXPRESSLY PROHIBITS ANY PARTY FROM CHANGING EITHER ANY EWCAP CONTROLLED PORTION OF THIS DRAWING OR ANY ASSOCIATED TOOLING BEFORE RECEIVING AN APPROVAL SIGNED BY AN AUTHORIZED REPRESENTATIVE FROM EACH EWCAP PARTNER. REFERENCE TO THE SIGNED APPROVAL FORM MUST BE ENTERED IN THIS DRAWING'S CONTROL COLUMN.

A6	ADDED NOTES AND NOTICE	1/16/17	AD	MV
A	DESIGN RELEASE	4/18/16	AD	MV
CHANGE SERIAL NUMBER	LET	REVISION RECORD	DATE	DWN CHK

999-S-012-2-D01	D	STONE GRAY
999-S-012-2-C01	C	DARK GRAY
999-S-012-2-B01	B	LIGHT GRAY
999-S-012-2-A01	A	BLACK
EWCAP P/N	OPTION	MATING CONNECTOR COLOR
RELEASE STATUS	P1	RELEASE DATE
		2020/03/23
		07:46:49

QUALITY SYMBOLS = 0 = 0 = 0 = 0 = 0 = 0 = 0 = 0 = 0	THIS DRAWING CONTAINS INFORMATION THAT IS PROPRIETARY TO MOLEX ELECTRONIC TECHNOLOGIES, LLC AND SHOULD NOT BE USED WITHOUT WRITTEN PERMISSION EC NO: 634509 DRWN: HKLIANG CHKD: JDENG02 REY APPR: JDENG02	GENERAL TOLERANCES (UNLESS SPECIFIED) ANGULAR TOL ± ° 4 PLACES ± 3 PLACES ± 2 PLACES ± 1 PLACE ± 0 PLACES ±	DIMENSION UNITS: mm SCALE: 1:1 DRWN BY: ADING03 DATE: 2017/01/16 CHK'D BY: DATE APPR BY: KDEKOSKI DATE: 2017/01/17	
		DRAFT WHERE APPLICABLE MUST REMAIN WITHIN DIMENSIONS E	PRODUCT CUSTOMER DRAWING SERIES: 160111 MATERIAL NUMBER: 1601110000 CUSTOMER:	
DOCUMENT NUMBER: 1601110000 DOC TYPE: PSD DOC PART: 000 SHEET NUMBER: 7 OF 7				