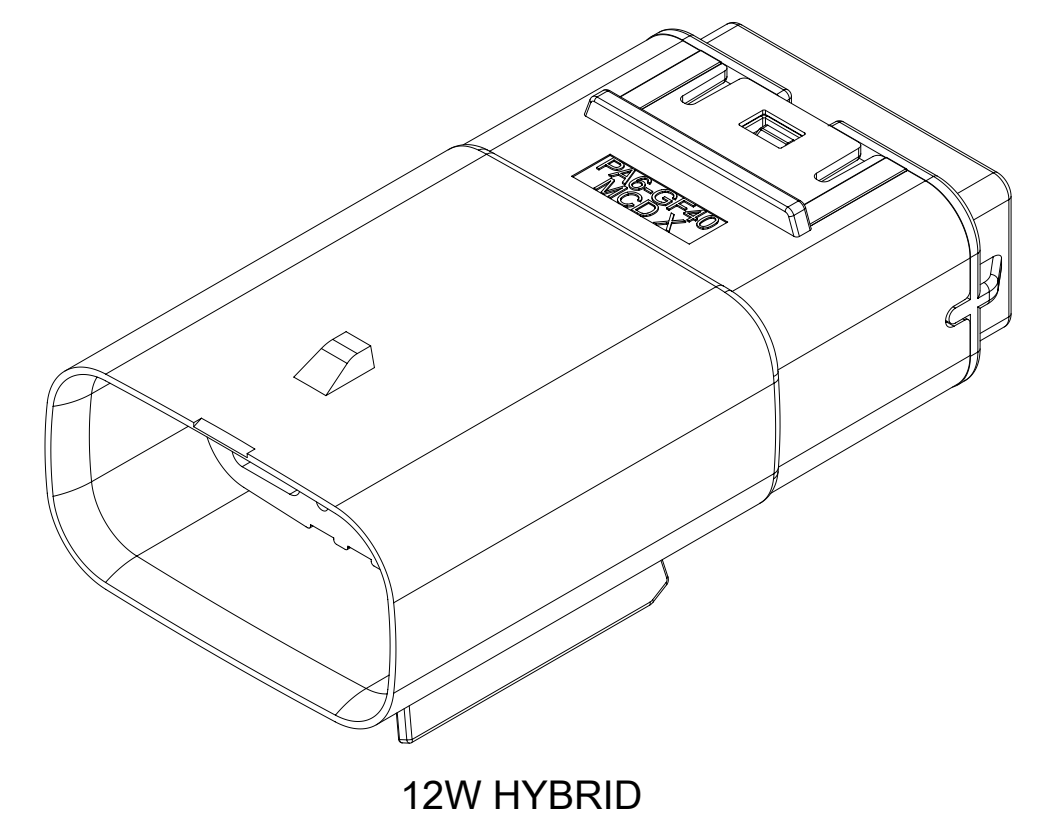


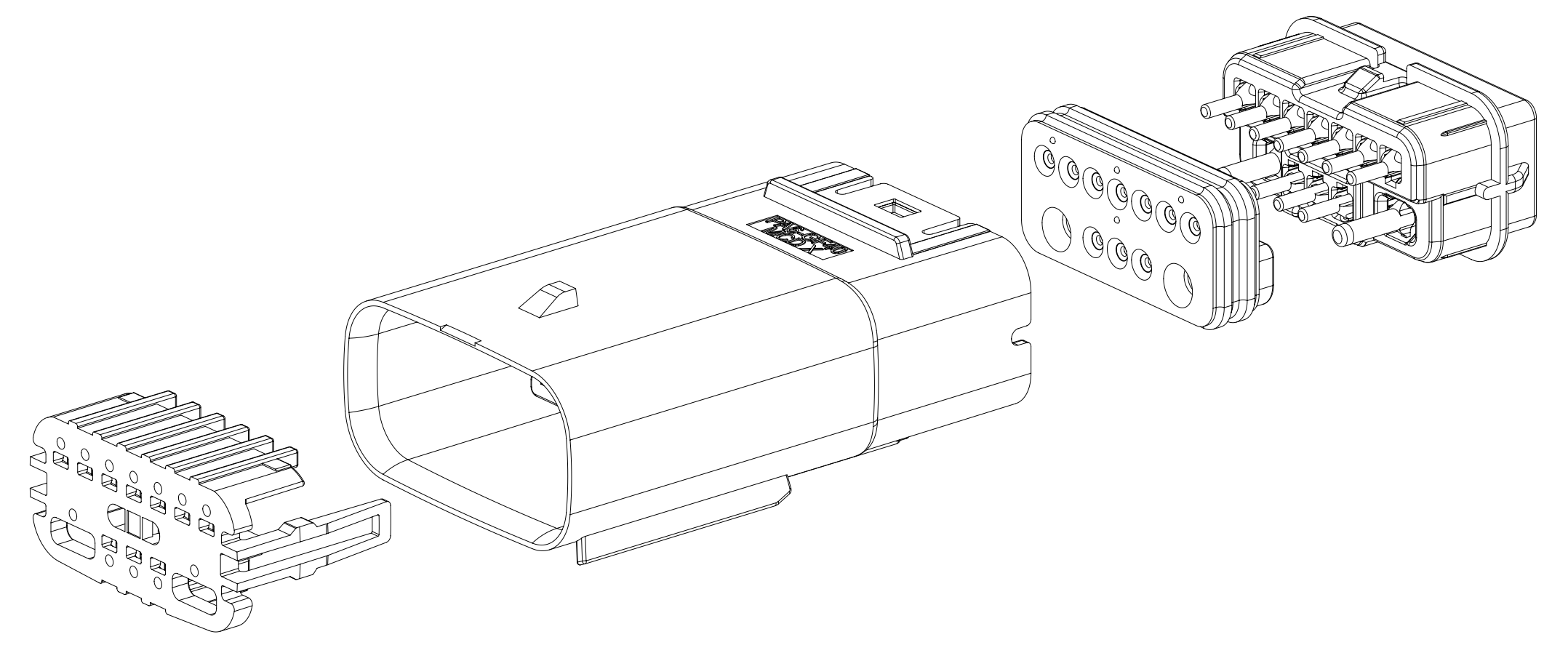
TABLE OF CONTENTS	
SHEET NO.	SHEET DESCRIPTION
1	NOTES
2	CONFIGURATIONS
3	KEY CONFIGURATIONS
4	BLADE CONNECTOR ASSEMBLY
5	SYSTEM PACKAGING
6	12W HYBRID CONNECTOR BOM

DESCRIPTION	PACKAGING DRAWING NO.	MATING INTERFACE/CONNECTOR DRAWINGS	
		INTERFACE DEFINITION	MOLEX INLINE
12W HYBRID	RPK-1601129000	SD-1601110000	SD-1601110000



12W HYBRID

- NOTES: VALID UNLESS OTHERWISE SPECIFIED
1. GENERAL:
- 1.1 APPLICATION SPECIFICATION SEE: 1601110001-AS
 - CONTAINS: PRODUCT INTRODUCTION, PRODUCT SUMMARY, CONNECTOR ASSEMBLY, PACKAGING INFORMATION, CONNECTOR MATING, SERVICE INSTRUCTIONS, ELECTRICAL CONTINUITY CHECKING, CRIMPING, AND TROUBLE SHOOTING.
 - DESIGNED TO MATE WITH DEVICE OR CONNECTOR AS SPECIFIED IN THE MATING INTERFACE/CONNECTOR DRAWINGS CHART.
 - *DENOTES DRAWINGS THAT CAN BE ACCESSED AT [<http://ewcap.uscarteams.org/>]
 - ASSEMBLY SHIPPED WITH THE FOLLOWING PARTS IN PRE-LOCK POSITION (PLR, CPA, ISL, LEVEL. SEE PRE-LOCK VIEW ON SHEET X).
 - 1.2 PRODUCT SPECIFICATION SEE: 1601110001-PS
 - CONTAINS: SCOPE, PRODUCT DESCRIPTION, INTEGRAL COMPONENTS AND ACCESSORIES, APPLICABLE DOCUMENTS AND SPECIFICATIONS, RATINGS, PERFORMANCE, PACKAGING, GAUGES AND FIXTURES, AND OTHER INFORMATION.
 - 1.3 PACKAGING SPECIFICATION PER MOLEX DRAWING: SEE TABLE
 - 1.4 PARTS MUST BE IN COMPLIANCE TO MOLEX CHEMICAL SUBSTANCES FOR PRODUCTS AND PACKAGING SPECIFICATION: QEHS-699000-300
 - 1.5 DATA MUST BE SUBMITTED UNDER THE MOLEX PART NUMBER TO IMDS (COMPANY ID#13255)
2. DESIGN - MATERIALS:
- 2.1 SEE BOM TABLE
3. DESIGN - GEOMETRY:
- 3.1 THE 3-D CAD DATA IS BASIC (WITHOUT TOLERANCE) AND MUST BE TAKEN FROM THE DATA FILE AT ITS LATEST REVISION.
 - 3.2 THE 3-D CAD DATA IS MASTER FOR THIS PART AND IS TO BE USED TO ESTABLISH DIMENSIONAL INFORMATION NOT SHOWN ON THIS DRAWING. ANY DIMENSIONS UNDERLINED INDICATE A CONFLICT WITH THE MODEL.
 - 3.3 PRODUCT DESIGN MODEL NUMBER(S): SEE BOM TABLE
 - 3.4 GEOMETRIC DIMENSIONS AND TOLERANCES PER ASME Y14.5M-2009
 - 3.5 EDGES OF UNDEFINED SHAPE PER ISO 13715
 - 3.6 CORNERS SHOWN AS SHARP TO BE R 0.2 MAX
 - 3.7 LETTERING SHALL BE 0.15 MAX RAISED IN 0.25 MAX RECESS PAD. THIS INCLUDES RECYCLING CODE, CAVITY ID, VENDOR IDENTIFICATION, AND CUSTOMER MATERIAL NUMBER.
 - 3.8 VISUAL DEFECTS SHALL MEET COSMETIC STANDARD PS-45499-002 (CLASS B).
- 3.7 LASER MARKING
- 1. PART NUMBER
 - 2. DAY OF THE YEAR
 - 3. SHIFT
 - 4. YEAR
- FOR ADDITIONAL INFORMATION SEE SECTION 5 UNDER PROCEDURES IN ES-34735-008.



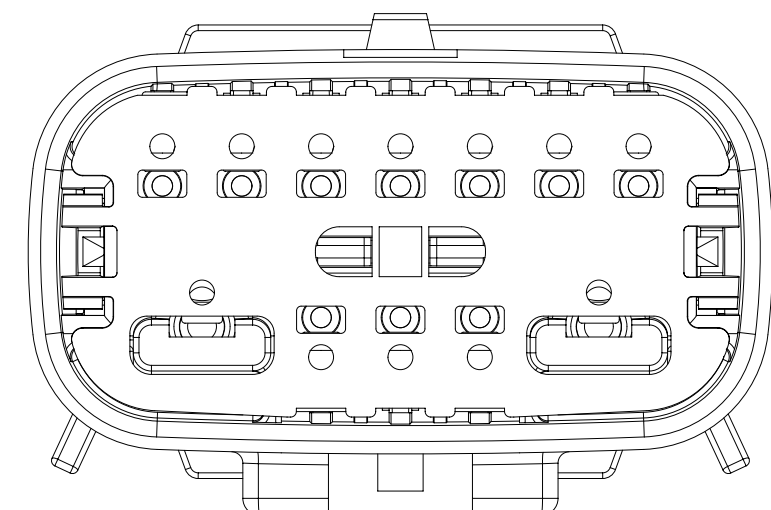
D2	ADD NEW PN 160112-6042
D1	ADD NEW PN 160112-6041
D	ADD NEW PN 160112-6039 AND 160112-6040
C2	UPDATED NOTES
C1	CHANGE DOCUMENT TYPE FROM RSD TO SD
C	ADD NEW PN 160112-6030 THRU 6038
B	UPDATED INFORMATION TO PRODUCTION LEVEL
A2	ADDED NEW PN. 160112-6023 160112-6024 160112-6025 160112-6026 160112-6027 160112-6028 160112-6029
A1	ADDED NEW PN. 160112-6022

INSPECTION NUMBER LOG	
LAST NUMBER: 5	REV DESCRIPTION
A	INITIAL RELEASE
REV	REV DESCRIPTION

QUALITY SYMBOLS F = 0 E = 0 D = 0 C = 0 B = 0 A = 0 0 = 0 1 = 0	THIS DRAWING CONTAINS INFORMATION THAT IS PROPRIETARY TO MOLEX ELECTRONIC TECHNOLOGIES, LLC AND SHOULD NOT BE USED WITHOUT WRITTEN PERMISSION		DIMENSION UNITS: mm SCALE: 2:1			
	GENERAL TOLERANCES (UNLESS SPECIFIED) ANGULAR TOL ± °		DRWN BY: ADING03 DATE: 2017/03/28			MX150 HYBRID MAT SEAL BLD CONN ASM SALES PRODUCT CUSTOMER DRAWING
	4 PLACES ± 3 PLACES ± 2 PLACES ± 1 PLACE ± 0 PLACES ±		CHKD BY: _____ DATE: _____			
	DRAFT WHERE APPLICABLE MUST REMAIN WITHIN DIMENSIONS		APPR BY: JDENG02 DATE: 2017/04/07			
EC NO: 634309 DRWN: HKLIANG CHKD: JDENG02 REV APPR: JDENG02	D2 2020/03/19 2020/03/23 2020/03/23	SERIES: 160112 MATERIAL NUMBER: CHARTED CUSTOMER:	DOCUMENT NUMBER: 1601120000 DOC TYPE: PSD DOC PART: 000 SHEET NUMBER: 1 OF 6	D THIRD ANGLE PROJECTION	160112 CHARTED 1601120000 PSD 000 1 OF 6	

SHEET DESCRIPTION

CONFIGURATIONS

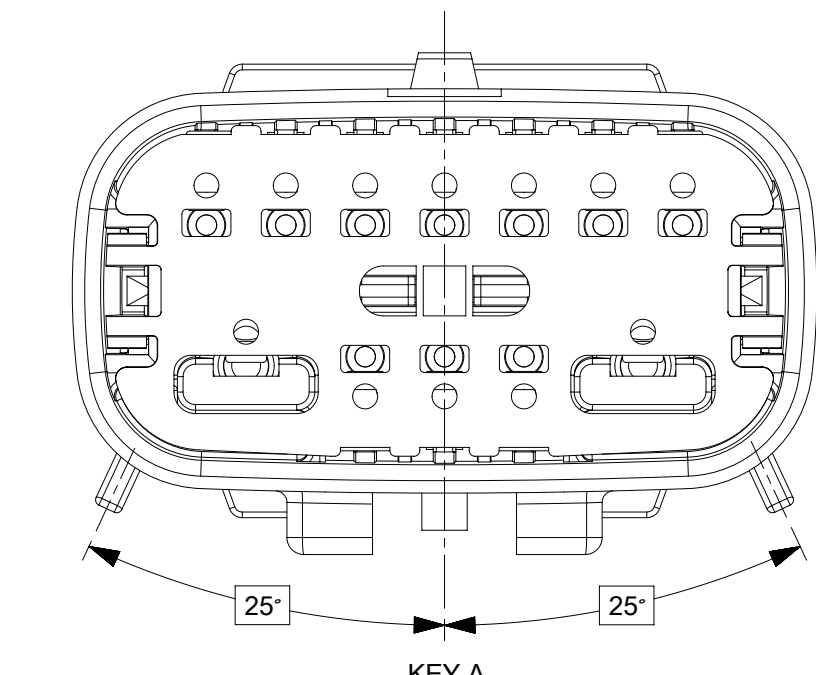


12W HYBRID

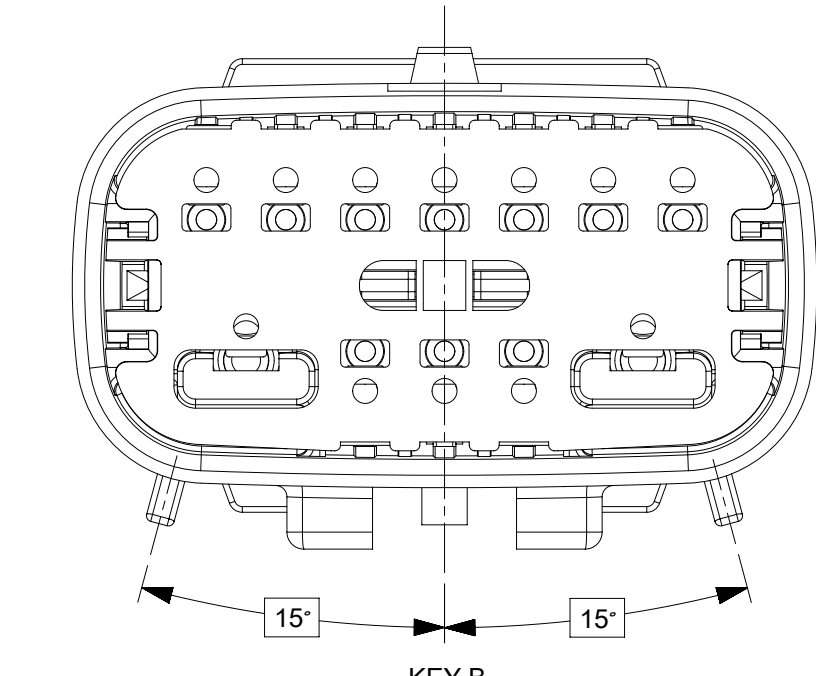
THIS DRAWING CONTAINS INFORMATION THAT IS PROPRIETARY TO MOLEX ELECTRONIC TECHNOLOGIES, LLC AND SHOULD NOT BE USED WITHOUT WRITTEN PERMISSION												
QUALITY SYMBOLS F = 0 E = 0 D = 0 C = 0 B = 0 A = 0 0 = 0	EC NO: 634309 DRWN: HKLIANG CHK'D: JDENG02 REV: APPR: JDENG02	2020/03/19 2020/03/23 2020/03/23	GENERAL TOLERANCES (UNLESS SPECIFIED) ANGULAR TOL ± ° 4 PLACES ± 3 PLACES ± 2 PLACES ± 1 PLACE ± 0 PLACES ± DRAFT WHERE APPLICABLE MUST REMAIN WITHIN DIMENSIONS	DIMENSION UNITS: mm SCALE: 2:1 DRWN BY: ADING03 DATE: 2017/03/28 CHK'D BY: JDENG02 DATE: 2017/04/07 DRAWING SIZE: D THIRD ANGLE PROJECTION			MX150 HYBRID MAT SEAL BLD CONN ASM SALES			PRODUCT CUSTOMER DRAWING		
	SERIES: 160112 MATERIAL NUMBER: CHARTED CUSTOMER:	DOCUMENT NUMBER: 1601120000 DOC TYPE: PSD DOC PART: 000 SHEET NUMBER: 2 OF 6										

SHEET DESCRIPTION
KEY CONFIGURATIONS

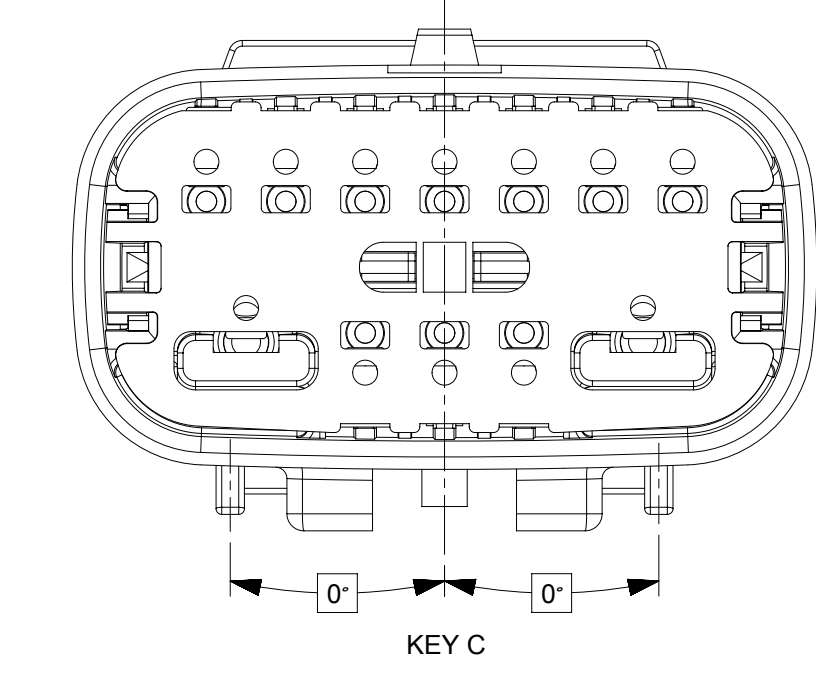
12W HYBRID



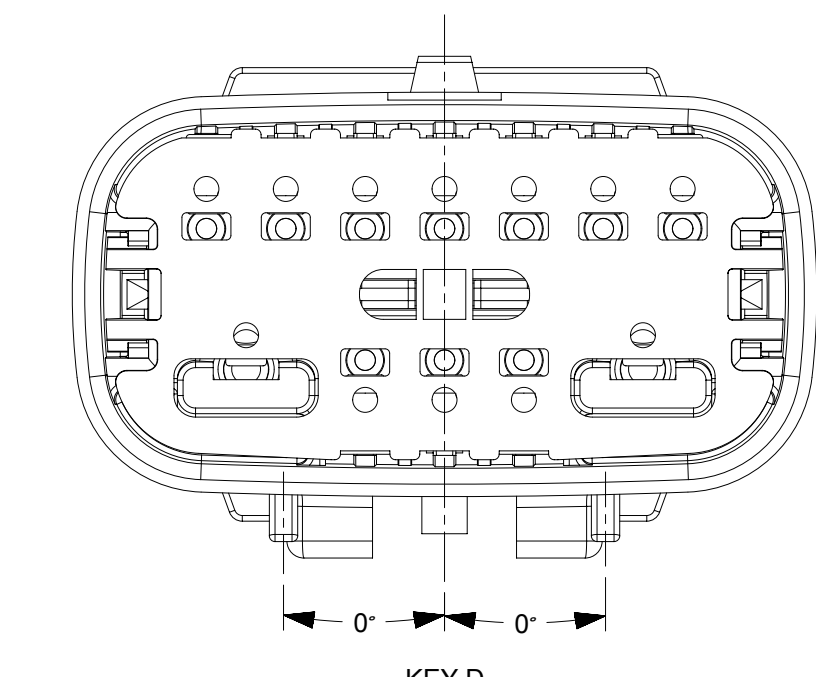
KEY A



KEY B



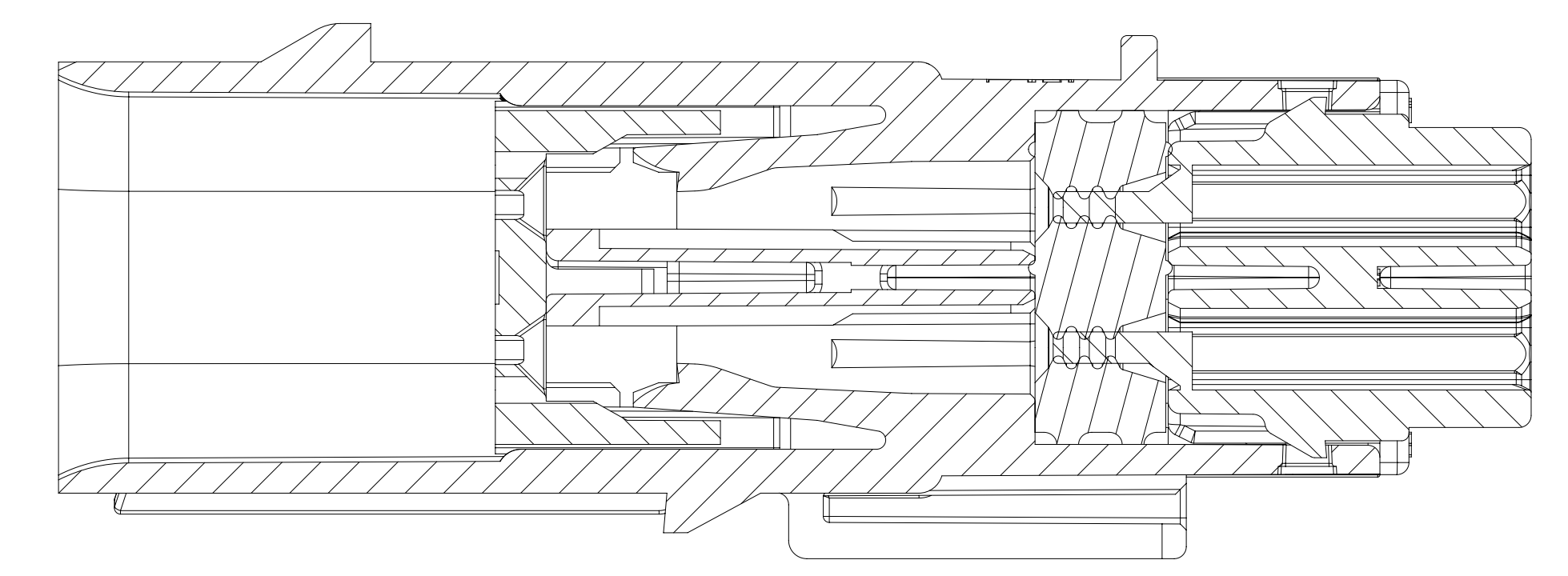
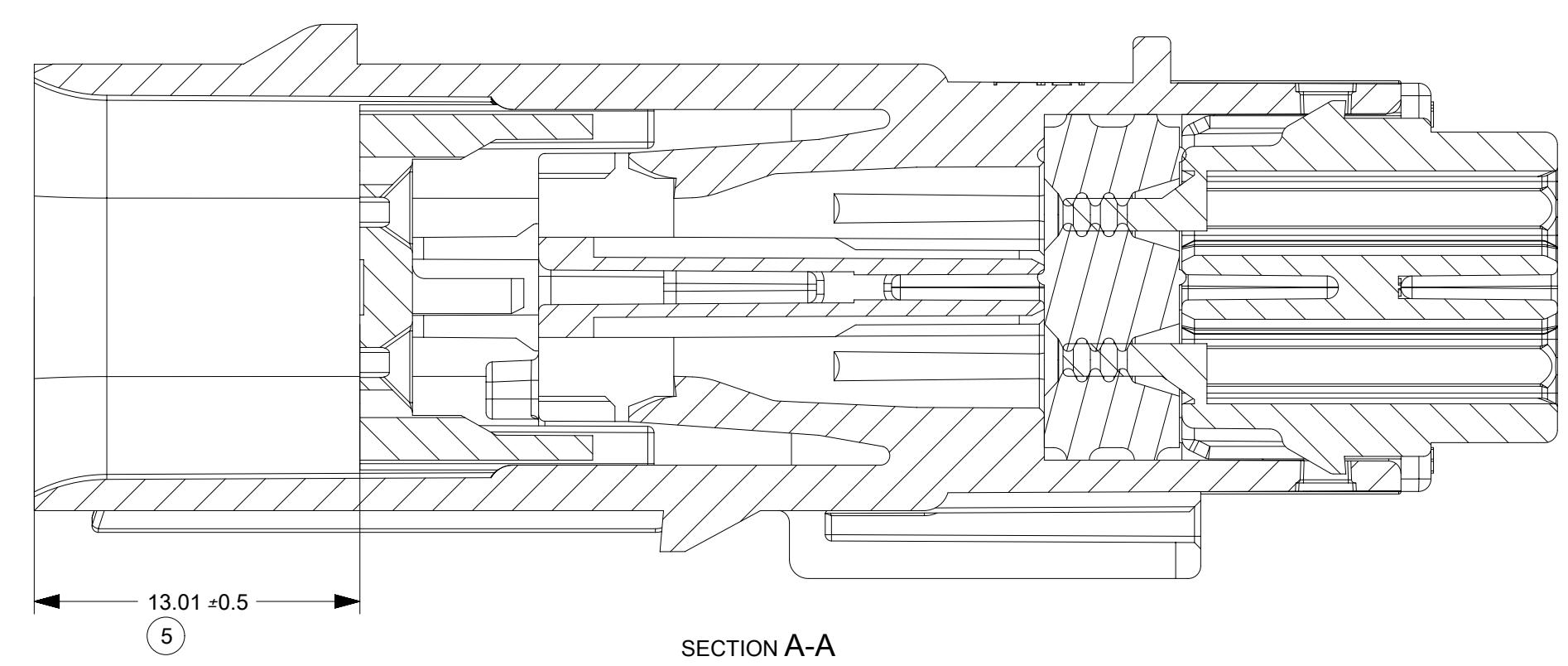
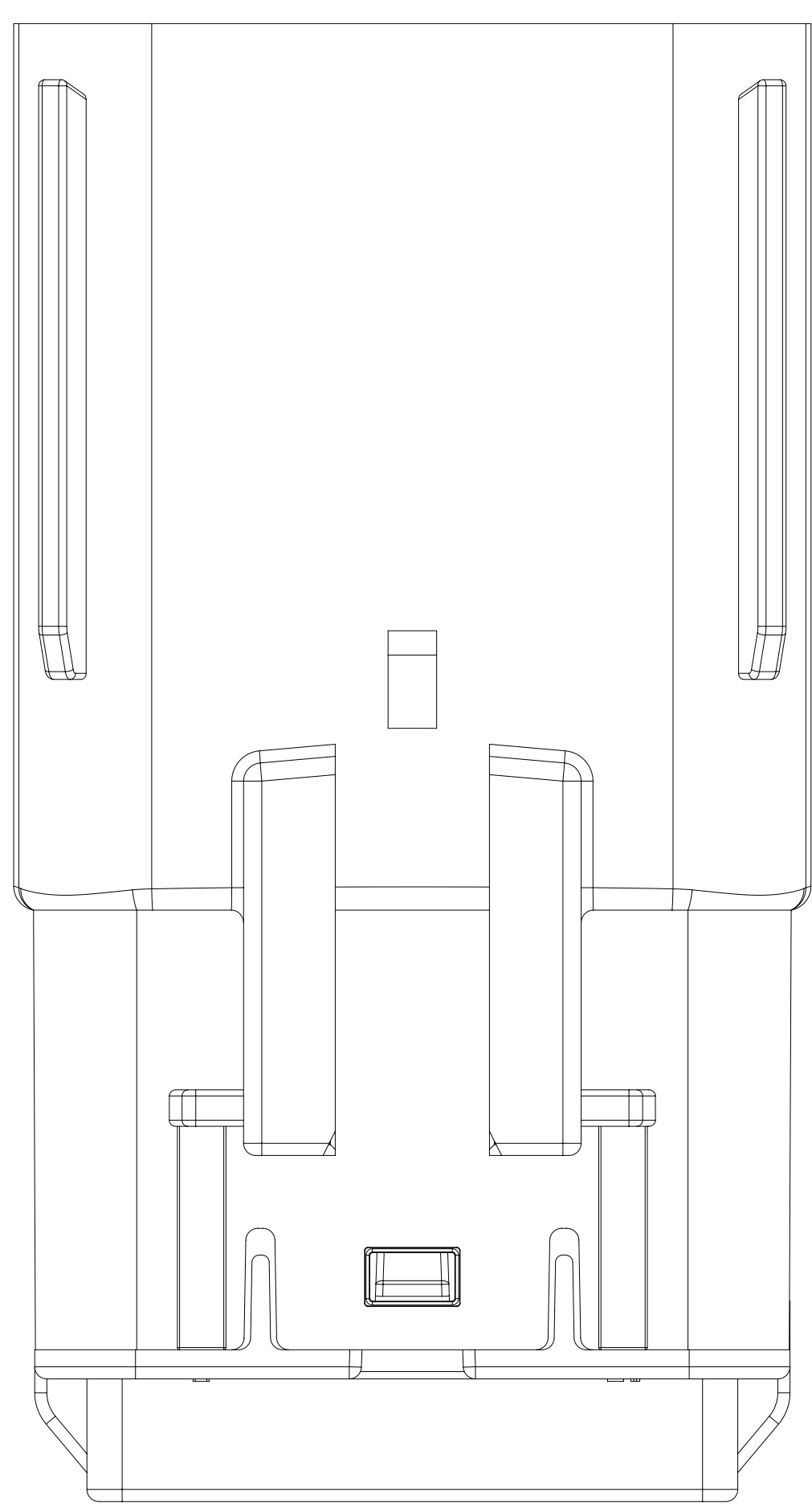
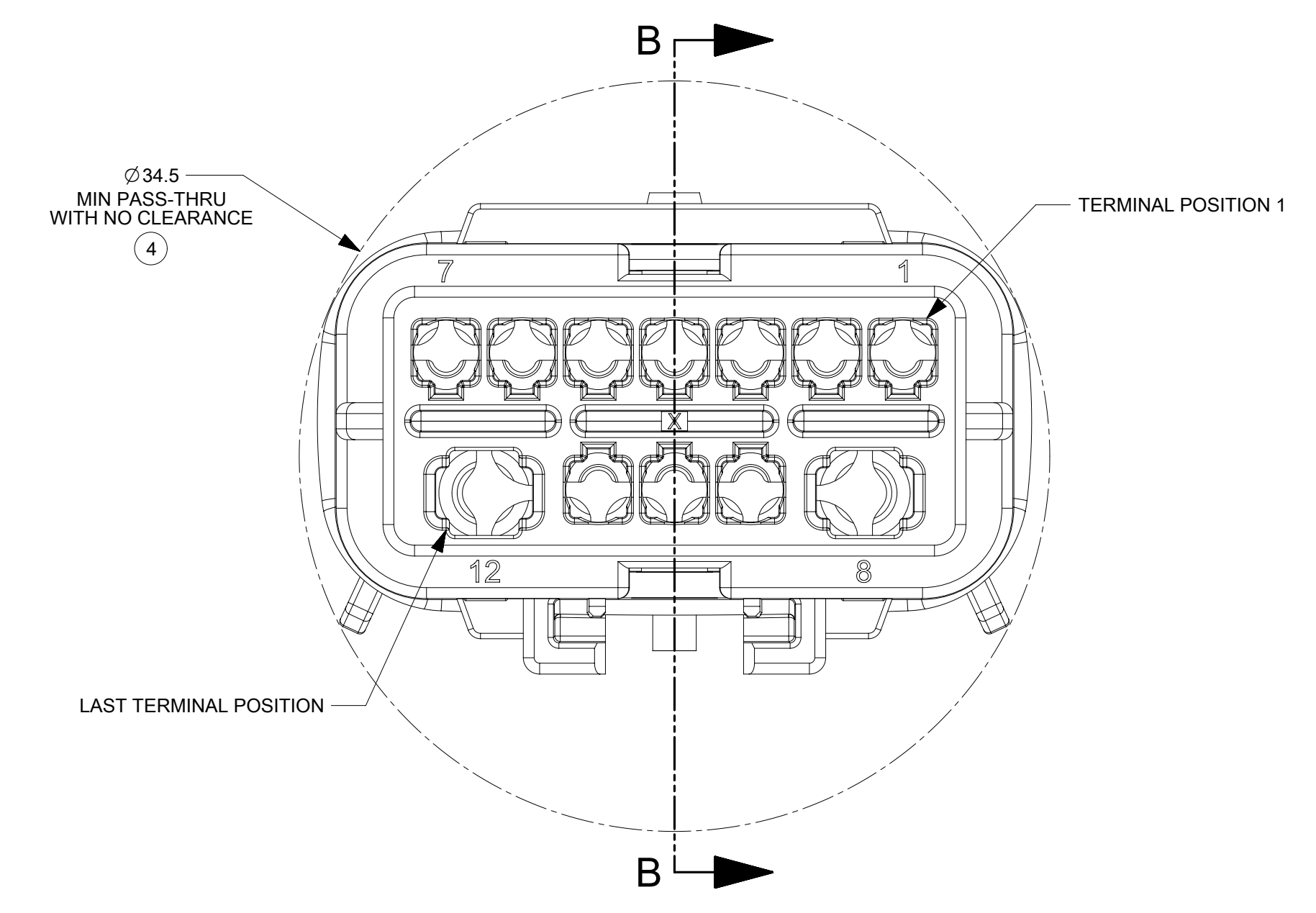
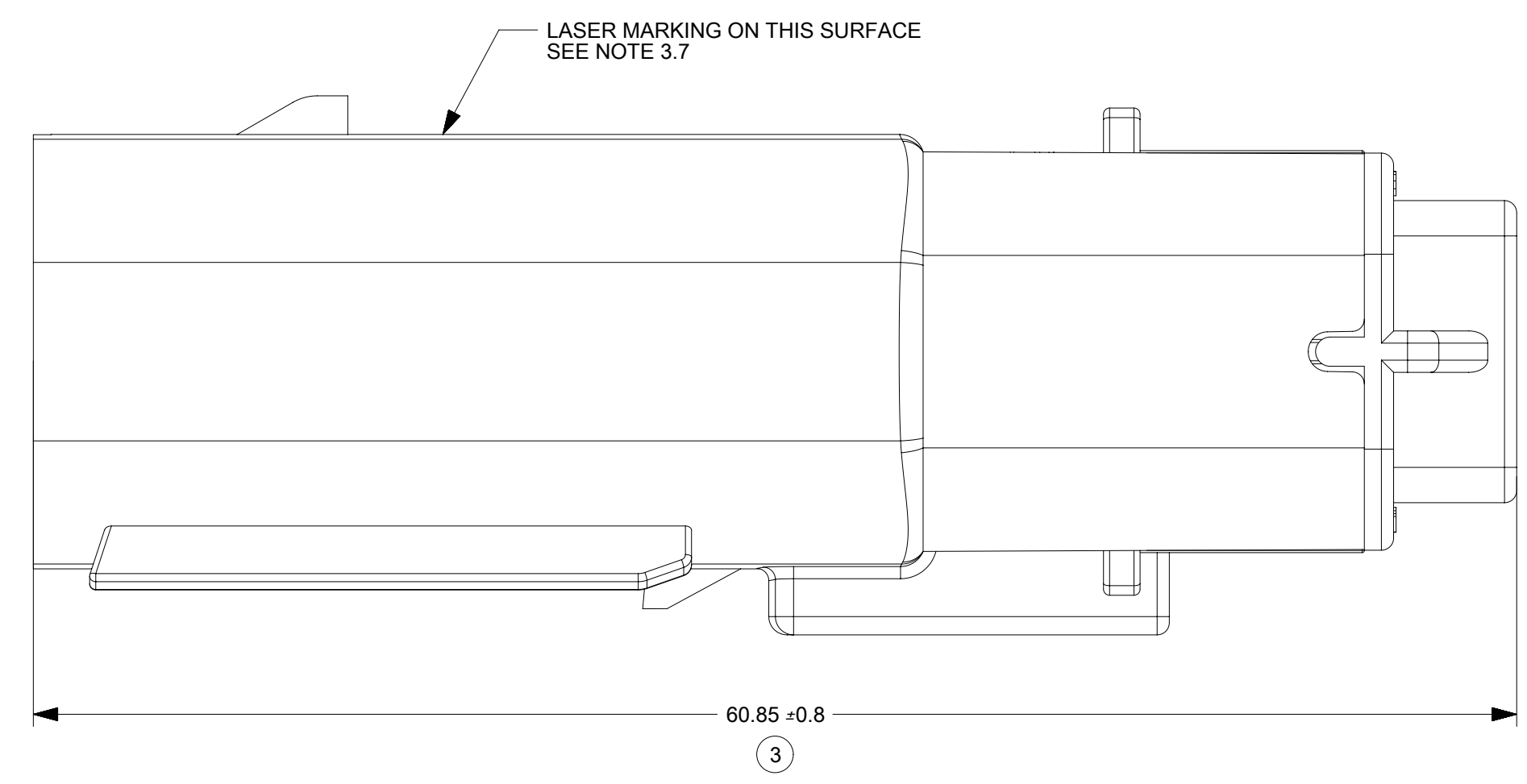
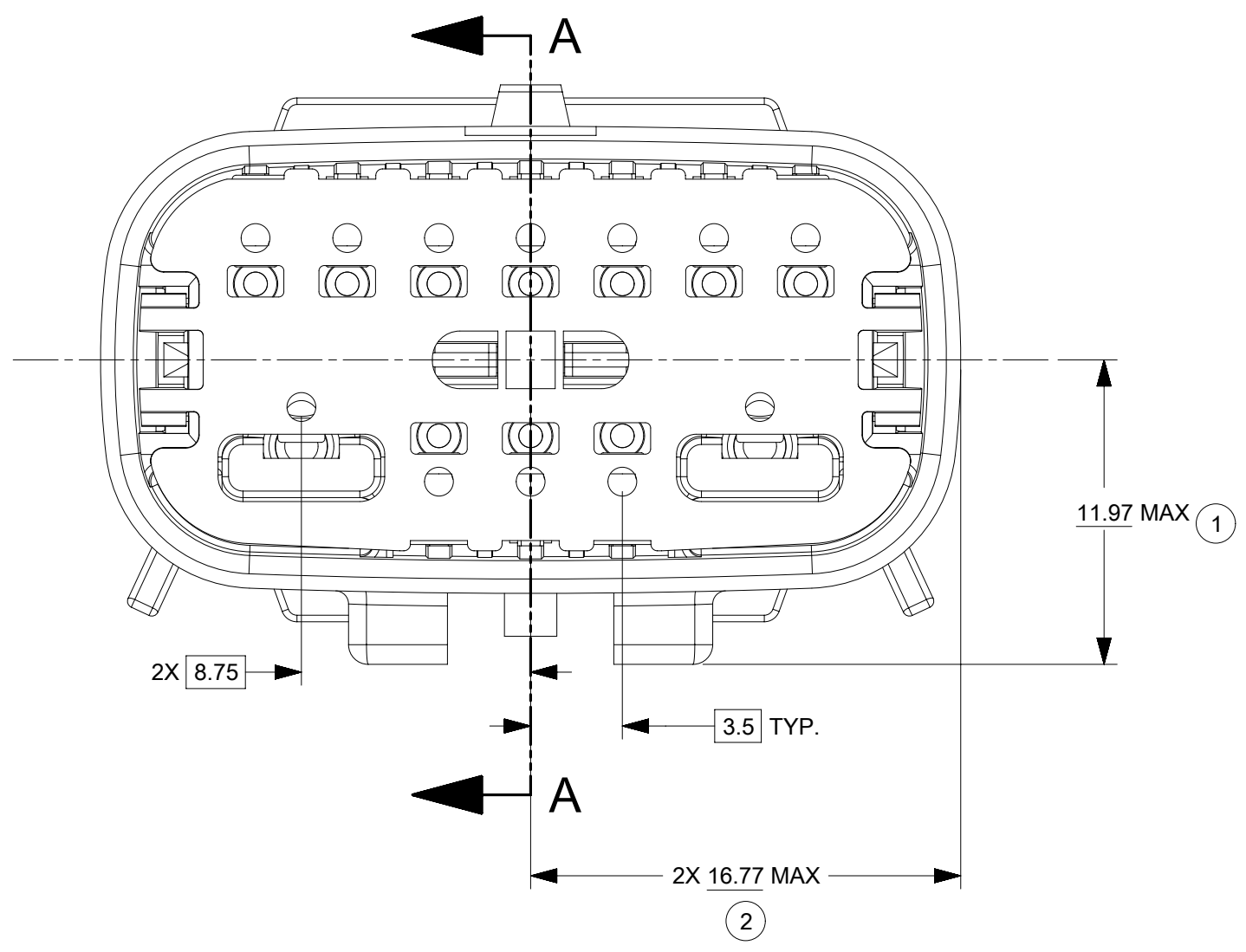
KEY C



KEY D

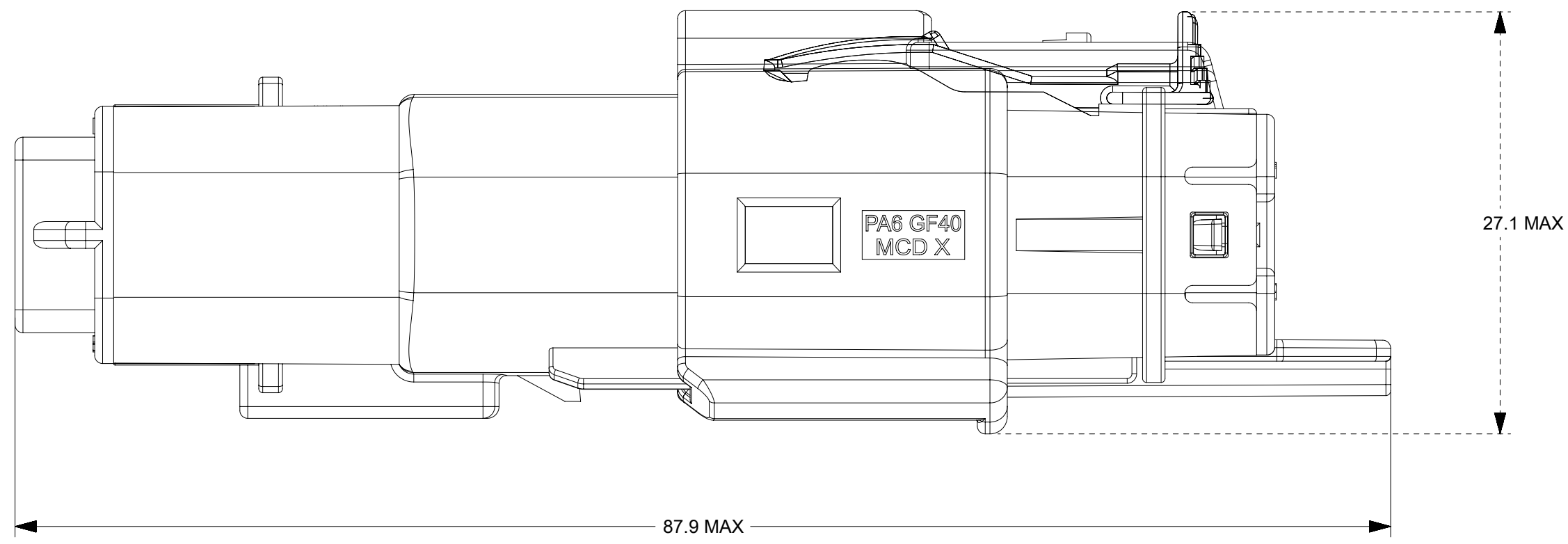
QUALITY SYMBOLS = 0 = 0 = 0 = 0 = 0 = 0 = 0 = 0 = 0		THIS DRAWING CONTAINS INFORMATION THAT IS PROPRIETARY TO MOLEX ELECTRONIC TECHNOLOGIES, LLC AND SHOULD NOT BE USED WITHOUT WRITTEN PERMISSION		GENERAL TOLERANCES (UNLESS SPECIFIED) DIMENSION UNITS: mm SCALE: 3:1		 MX150 HYBRID MAT SEAL BLD CONN ASM SALES			
EC NO: 634309 DRWN: HKLIANG CHKD: JDENG02 REV APPR: JDENG02		2020/03/19 2020/03/23 2020/03/23		DRWN BY: ADING03 DATE: 2017/03/28				PRODUCT CUSTOMER DRAWING	
DRAFT WHERE APPLICABLE MUST REMAIN WITHIN DIMENSIONS		ANGULAR TOL ± ° 4 PLACES ± 3 PLACES ± 2 PLACES ± 1 PLACE ± 0 PLACES ±		CHKD BY: _____ DATE: _____		APPR BY: JDENG02 DATE: 2017/04/07		SERIES: 160112 MATERIAL NUMBER: CHARTED CUSTOMER:	
RELEASE STATUS: P1 RELEASE DATE: 2020/03/23 07:46:50		D2		DRAWING SIZE: D THIRD ANGLE PROJECTION		DOCUMENT NUMBER: 1601120000 DOC TYPE: PSD DOC PART: 000 SHEET NUMBER: 3 OF 6			

SHEET DESCRIPTION
BLADE CONNECTOR ASSEMBLY

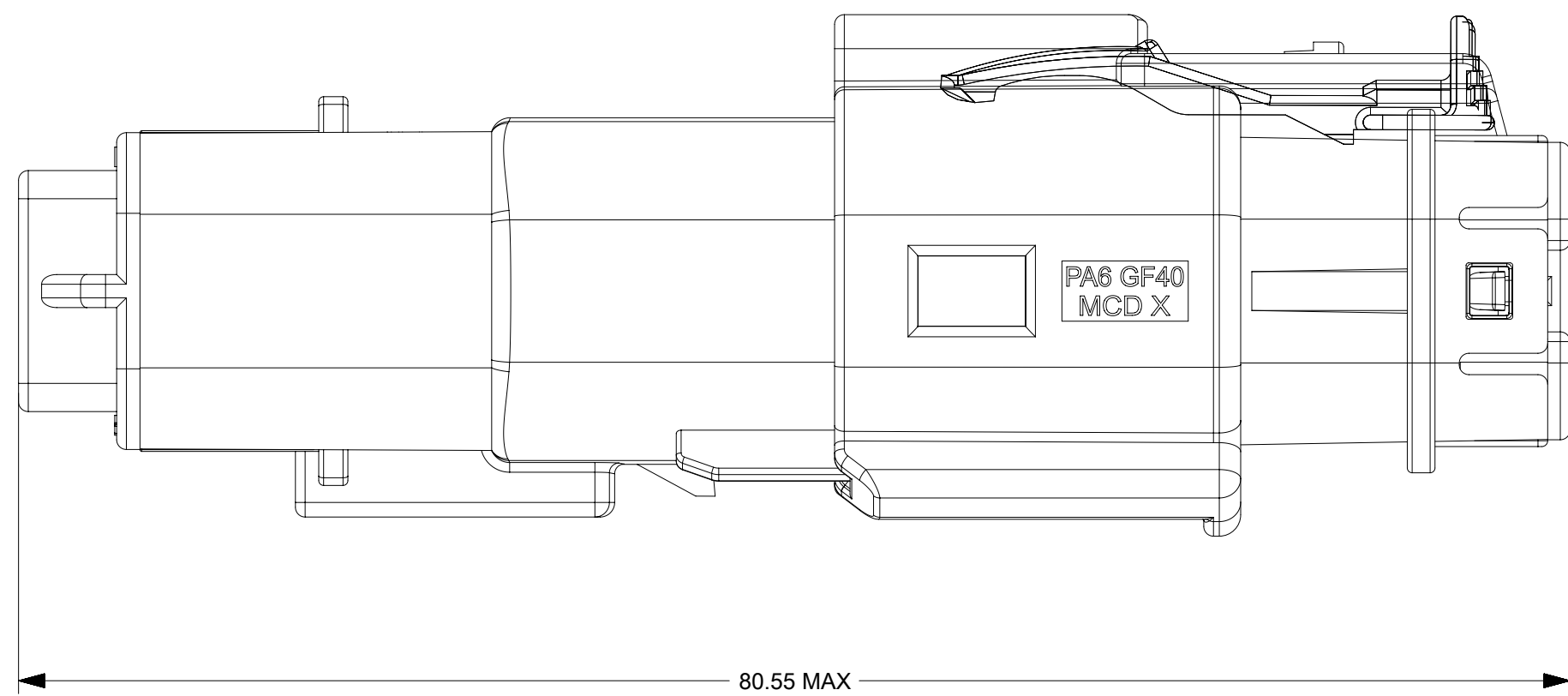


THIS DRAWING CONTAINS INFORMATION THAT IS PROPRIETARY TO MOLEX ELECTRONIC TECHNOLOGIES, LLC AND SHOULD NOT BE USED WITHOUT WRITTEN PERMISSION									
QUALITY SYMBOLS	GENERAL TOLERANCES (UNLESS SPECIFIED)			DIMENSION UNITS	SCALE				
	F = 0 E = 0 D = 0 C = 0 B = 0 A = 0 □ = 0 ■ = 0 ▽ = 0	2020/03/19 2020/03/23 2020/03/23	DRWN: HKLIANG CHKD: JDENG02 APPR: JDENG02	mm 4:1	DRWN BY: ADING03 DATE: 2017/03/28				
ANGULAR TOL ± ° 4 PLACES ± 3 PLACES ± 2 PLACES ± 1 PLACE ± 0 PLACES ±			DRAFT WHERE APPLICABLE MUST REMAIN WITHIN DIMENSIONS	CHKD BY: DATE APPR BY: JDENG02 DATE: 2017/04/07	PRODUCT CUSTOMER DRAWING				
EC NO: 634309 DRWN: HKLIANG CHKD: JDENG02 APPR: JDENG02		D2		DRAWING SIZE: D THIRD ANGLE PROJECTION	SERIES: 160112 MATERIAL NUMBER: CHARTED	CUSTOMER:		DOCUMENT NUMBER: 1601120000 DOC TYPE: PSD DOC PART: 000 SHEET NUMBER: 4 OF 6	

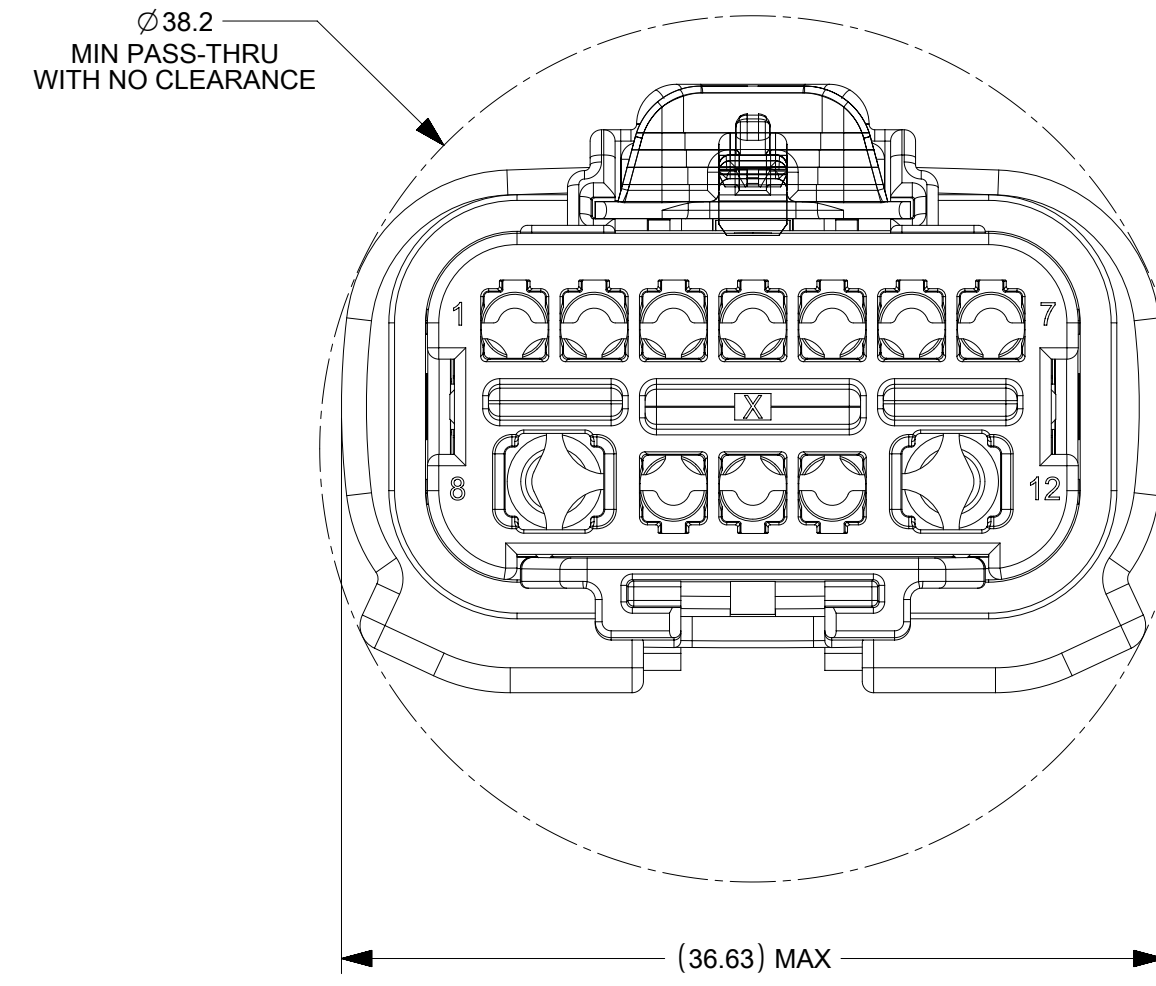
SHEET DESCRIPTION
SYSTEM PACKAGING



WITH EXTENDED CLIPSLOT RECEPTACLE HOUSING

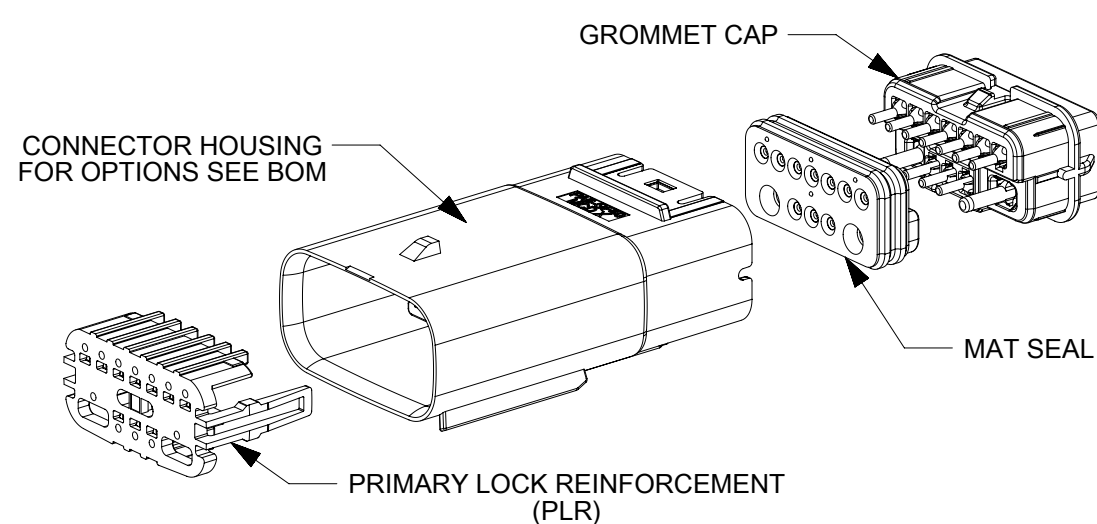
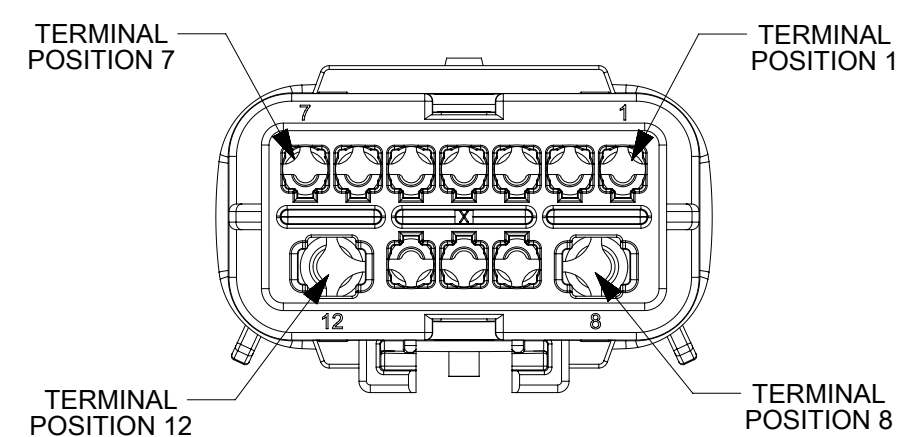


NON CLIPSLOT RECEPTACLE HOUSING



THIS DRAWING CONTAINS INFORMATION THAT IS PROPRIETARY TO MOLEX ELECTRONIC TECHNOLOGIES, LLC AND SHOULD NOT BE USED WITHOUT WRITTEN PERMISSION									
QUALITY SYMBOLS □ = 0 ▽ = 0 ▽ = 0 ▽ = 0 ▽ = 0 ▽ = 0 ▽ = 0 ▽ = 0 ▽ = 0 ▽ = 0	2020/03/19	GENERAL TOLERANCES (UNLESS SPECIFIED) ANGULAR TOL ± ° 4 PLACES ± 3 PLACES ± 2 PLACES ± 1 PLACE ± 0 PLACES ± DRAFT WHERE APPLICABLE MUST REMAIN WITHIN DIMENSIONS	DIMENSION UNITS	SCALE	 MX150 HYBRID MAT SEAL BLD CONN ASM SALES PRODUCT CUSTOMER DRAWING				
	2020/03/23		mm	3:1					
	2020/03/23	DRWN BY	DATE	SERIES					
	634309	ADING03	2017/03/28	MATERIAL NUMBER					
HKLIANG	JDENG02		CUSTOMER						
JDENG02	JDENG02	2017/04/07	DOCUMENT NUMBER						
			DOC TYPE						
			DOC PART						
			SHEET NUMBER						
			D						
			THIRD ANGLE PROJECTION						
			160112						
			CHARTED						
			1601120000						
			PSD						
			000						
			5 OF 6						

SHEET DESCRIPTION
12W HYBRID CONNECTOR BOM



ABBREVIATION	DESCRIPTION	COLOR	MATERIAL
A-BLK	HOUSING KEYING OPTION A	BLACK	PA6 GF40
B-LG	HOUSING KEYING OPTION B	LIGHT GRAY	PA6 GF40
C-DG	HOUSING KEYING OPTION C	DARK GRAY	PA6 GF40
D-SG	HOUSING KEYING OPTION D	STONE GRAY	PA6 GF40
A-Y	HOUSING KEYING OPTION A	YELLOW	PA6 GF40
GCP	GROMMET CAP (PLUGGED)	BLACK	PA6 GF40
PLR	PLR	NATURAL	PA6 GF40
M	MAT SEAL 2.8/1.5	RUST RED	INHERENTLY LUBRICATED SILICONE

ASSEMBLY DESCRIPTION	ASSEMBLY PART NUMBER*	COMPONENT				BLOCKED TERMINALS												STATUS	COMMENTS	OPTIONAL ATTACHMENTS SOLD SEPERATELY		
		THE PRESENCE OF AN ABBREVIATION INDICATES THE PRESENCE OF THAT COMPONENT.				CAVITY WITH A NUMBER INDICATES BLOCKED TERMINAL POSITION CAVITY WITHOUT A NUMBER INDICATES OPEN TERMINAL POSITION														BACKSHELL WITH RIBS	BACKSHELL WITHOUT RIBS	
		HOUSING KEY/COLOR	GROMMET CAP	PLR	MAT SEAL	1	2	3	4	5	6	7	8	9	10	11	12					
KEY A, BLACK	160112-6001	A-BLK	GCP	PLR	M														SALEABLE			
KEY B, LIGHT GRAY	160112-6002	B-LG	GCP	PLR	M														SALEABLE			
KEY C, DARK GRAY	160112-6003	C-DG	GCP	PLR	M														SALEABLE			
KEY D, STONE GRAY	160112-6004	D-SG	GCP	PLR	M														SALEABLE			
KEY A, YELLOW	160112-6005	A-Y	GCP	PLR	M														OK TO TOOL			
KEY A, BLACK	160112-6006	A-BLK	GCP	PLR	M				3	4	5	6	7		9	10	11		SALEABLE			
KEY A, BLACK	160112-6007	A-BLK	GCP	PLR	M					4	5	6	7	8					SALEABLE			
KEY A, BLACK	160112-6008	A-BLK	GCP	PLR	M			1	2	3	4	5			8		10		SALEABLE			
KEY A, BLACK	160112-6009	A-BLK	GCP	PLR	M			1			4	5			8				SALEABLE			
KEY A, BLACK	160112-6010	A-BLK	GCP	PLR	M			1	2	3							10		SALEABLE			
KEY A, BLACK	160112-6011	A-BLK	GCP	PLR	M			1											SALEABLE			
KEY A, BLACK	160112-6012	A-BLK	GCP	PLR	M				2	3	4	5	6	7	8		10		SALEABLE			
KEY A, BLACK	160112-6013	A-BLK	GCP	PLR	M						4	5	6	7	8				SALEABLE			
KEY A, BLACK	160112-6014	A-BLK	GCP	PLR	M				2	3	4	5			8		10		SALEABLE			
KEY A, BLACK	160112-6015	A-BLK	GCP	PLR	M						4	5			8				SALEABLE			
KEY A, BLACK	160112-6016	A-BLK	GCP	PLR	M				2	3							10		SALEABLE			
KEY A, BLACK	160112-6017	A-BLK	GCP	PLR	M								7	8	9	10	11	12	SALEABLE			
KEY A, BLACK	160112-6018	A-BLK	GCP	PLR	M									8		10	11	12	SALEABLE			
KEY A, BLACK	160112-6019	A-BLK	GCP	PLR	M			1	2	3	4	5	6	7	9		12		SALEABLE			
KEY A, BLACK	160112-6020	A-BLK	GCP	PLR	M								7	9			12		SALEABLE			
KEY A, BLACK	160112-6021	A-BLK	GCP	PLR	M												12		SALEABLE			
KEY A, BLACK	160112-6022	A-BLK	GCP	PLR	M			1	2	3	4	5	6	7	8		10		SALEABLE			
KEY A, BLACK	160112-6023	A-BLK	GCP	PLR	M					3					7	9	10	11		SALEABLE		
KEY A, BLACK	160112-6024	A-BLK	GCP	PLR	M									7	9	10			SALEABLE			
KEY A, BLACK	160112-6025	A-BLK	GCP	PLR	M						4	5	6	7	9	10			SALEABLE			
KEY A, BLACK	160112-6026	A-BLK	GCP	PLR	M					3	4	5	6	7	9	10	11		SALEABLE			
KEY A, BLACK	160112-6027	A-BLK	GCP	PLR	M			1	2	3				7	8	9	10	11	12	SALEABLE		
KEY A, BLACK	160112-6028	A-BLK	GCP	PLR	M			1	2					7	8	9	10		12	SALEABLE		
KEY A, BLACK	160112-6029	A-BLK	GCP	PLR	M			1	2		4	5	6	7	8	9	10		12	SALEABLE		
KEY A, BLACK	160112-6030	A-BLK	GCP	PLR	M			1	2	3				7					SALEABLE			
KEY A, BLACK	160112-6031	A-BLK	GCP	PLR	M			1		3				7			11		SALEABLE			
KEY A, BLACK	160112-6032	A-BLK	GCP	PLR	M			1		3				7					SALEABLE			
KEY A, BLACK	160112-6033	A-BLK	GCP	PLR	M			1			4	5							SALEABLE			
KEY A, BLACK	160112-6034	A-BLK	GCP	PLR	M				2		4	5	6						SALEABLE			
KEY A, BLACK	160112-6035	A-BLK	GCP	PLR	M			1	2	3	4	5	6	7					SALEABLE			
KEY A, BLACK	160112-6036	A-BLK	GCP	PLR	M			1	2	3	4	5	6	7				11		SALEABLE		
KEY A, BLACK	160112-6037	A-BLK	GCP	PLR	M						4	5	6					11		SALEABLE		
KEY A, BLACK	160112-6038	A-BLK	GCP	PLR	M						4	5	6						SALEABLE			
KEY A, BLACK	160112-6039	A-BLK	GCP	PLR	M			1	2	3				7				11		SALEABLE		
KEY A, BLACK	160112-6040	A-BLK	GCP	PLR	M			1		3	4	5	6	7					SALEABLE			
KEY A, BLACK	160112-6041	A-BLK	GCP	PLR	M								7					12		SALEABLE		
KEY A, BLACK	160112-6042	A-BLK	GCP	PLR	M									9	10				SALEABLE			

(D2)

QUALITY SYMBOLS F = 0 E = 0 D = 0 C = 0 B = 0 A = 0 D2 = 0	THIS DRAWING CONTAINS INFORMATION THAT IS PROPRIETARY TO MOLEX ELECTRONIC TECHNOLOGIES, LLC AND SHOULD NOT BE USED WITHOUT WRITTEN PERMISSION		GENERAL TOLERANCES (UNLESS SPECIFIED) DIMENSION UNITS: mm SCALE: 1:1 DRWN BY: ADING03 DATE: 2017/03/28	
	EC NO: 634309 DRWN: HKLIANG CHKD: JDENG02 APPR: JDENG02	2020/03/19 2020/03/23 2020/03/23	ANGULAR TOL ± ° 4 PLACES ± 3 PLACES ± 2 PLACES ± 1 PLACE ± 0 PLACES ± DRAFT WHERE APPLICABLE MUST REMAIN WITHIN DIMENSIONS	
RELEASE STATUS: P1 RELEASE DATE: 2020/03/23 07:46:50		DOCUMENT NUMBER: 1601120000 DOC TYPE: PSD DOC PART: 000 SHEET NUMBER: 6 OF 6		