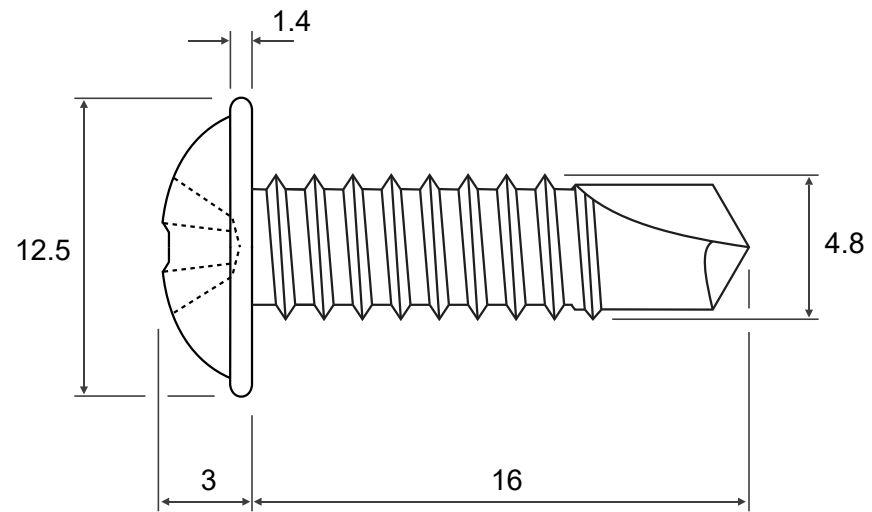
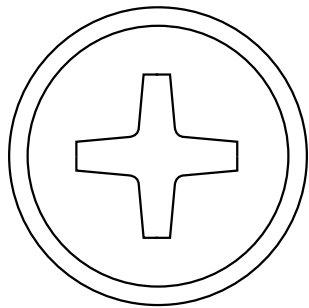


 PH2



	Material		Customer Part No.	
	Finish		Web Ref No	