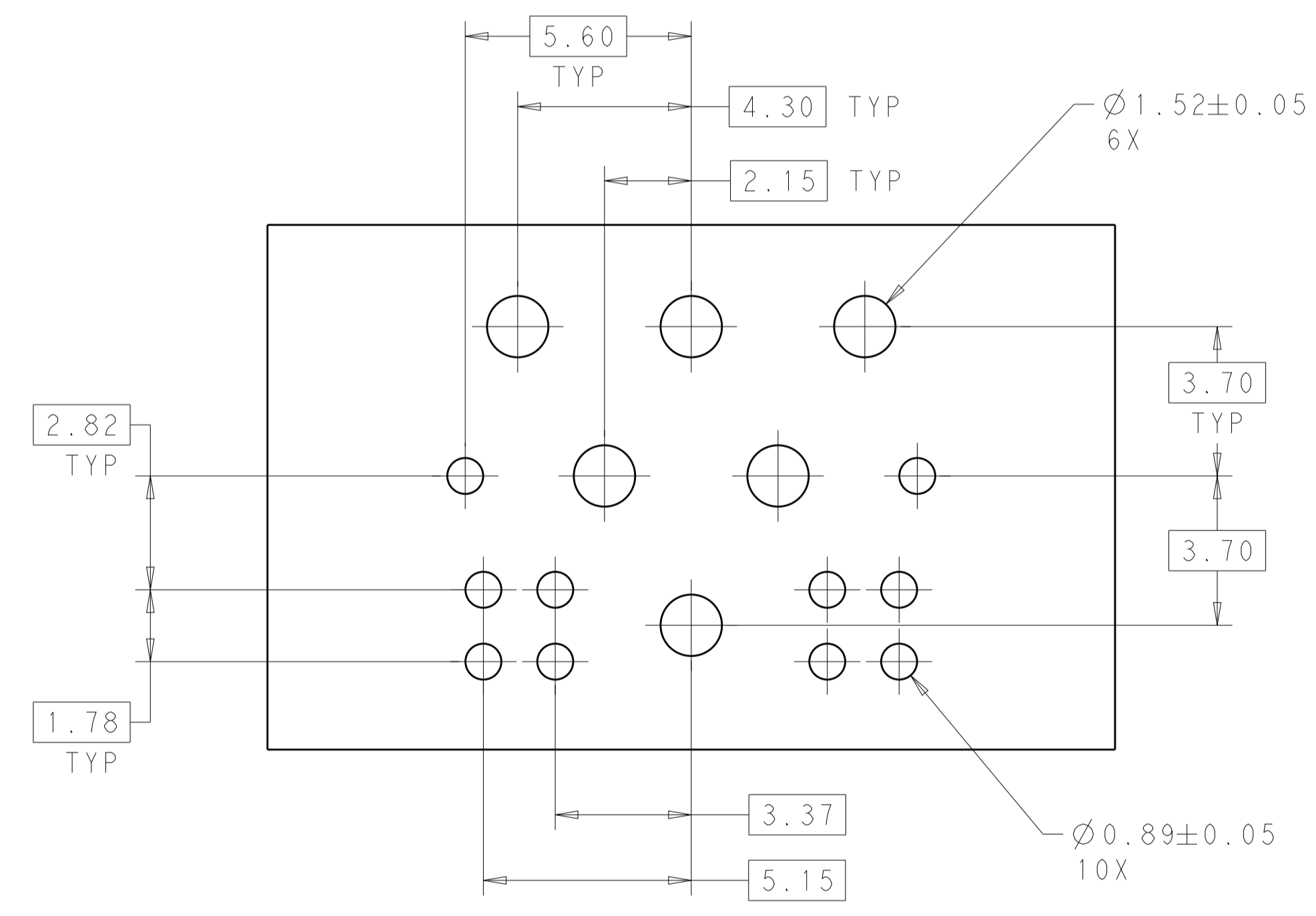
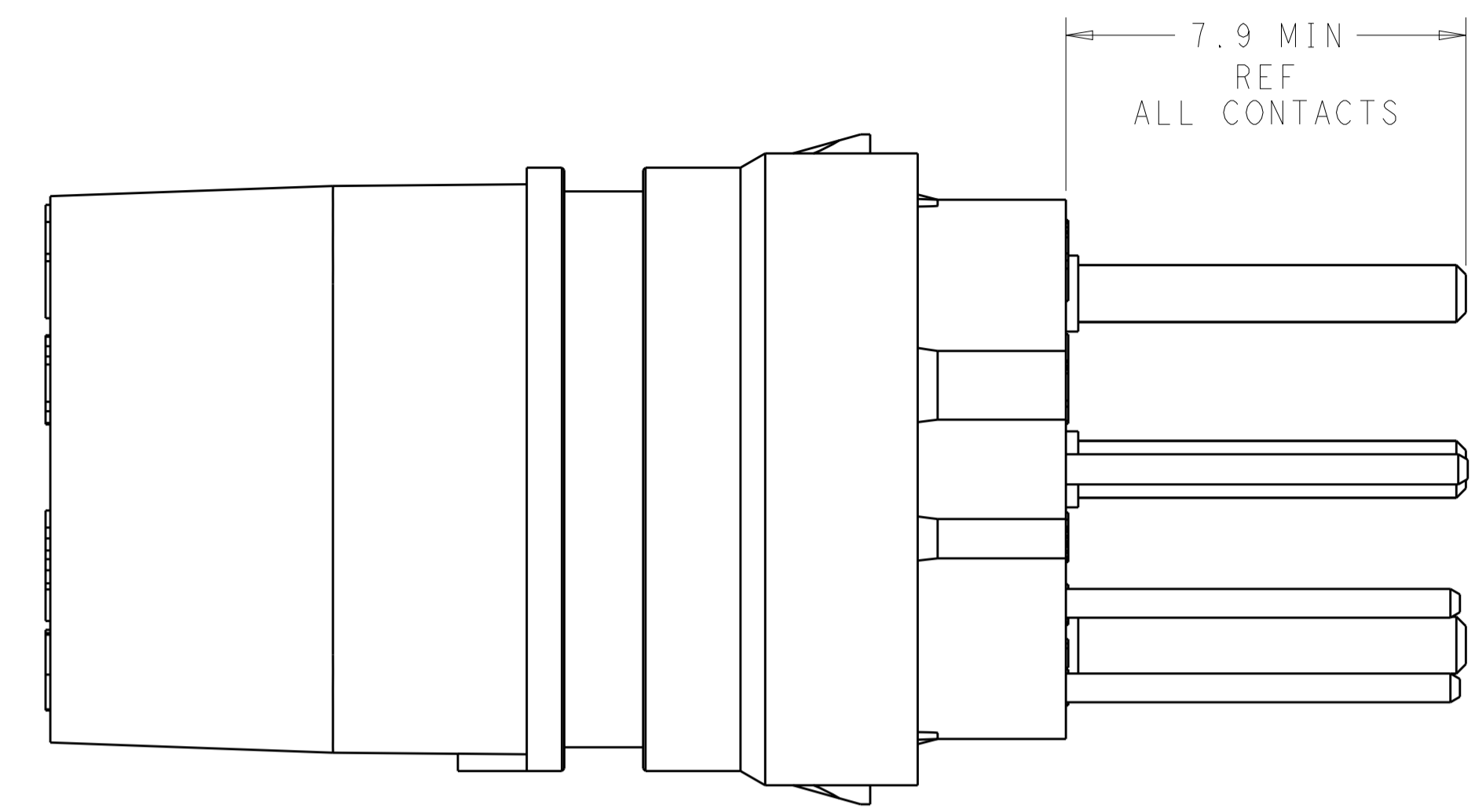
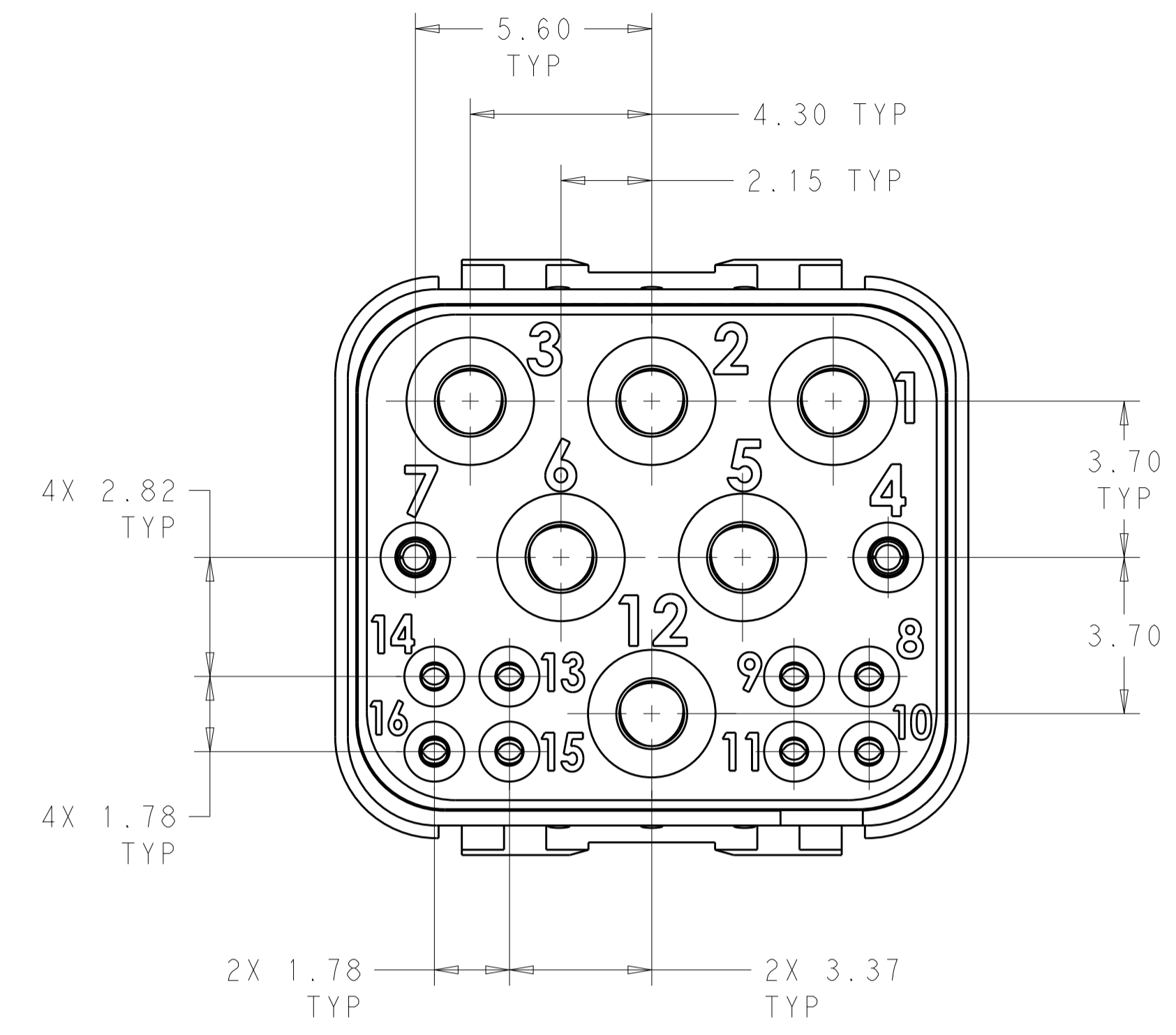
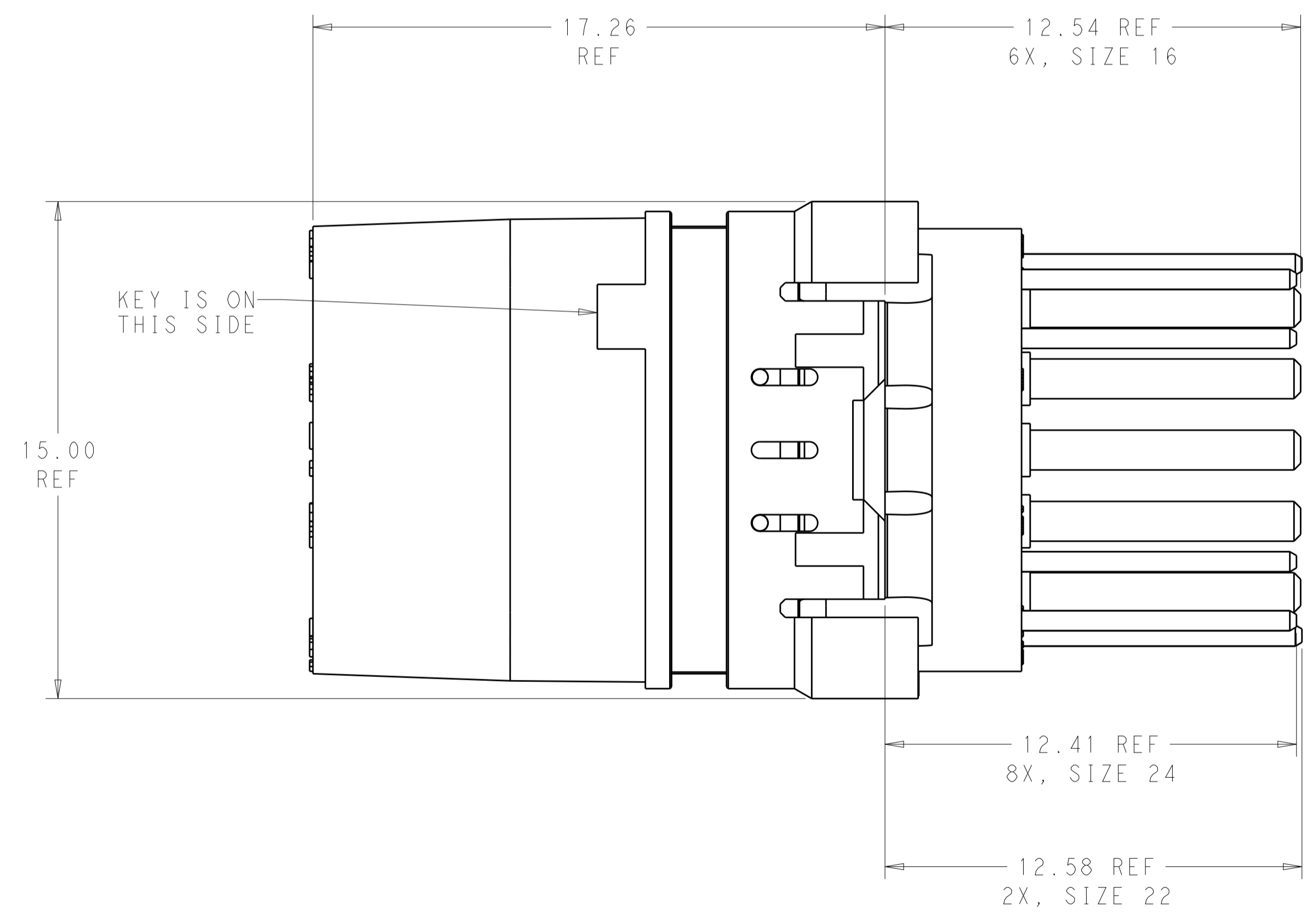


LOC		DIST		REVISIONS			
P	LTN	DESCRIPTION	DATE	DWN	APVD	CT	RL
B		UPDATED CURRENT RATINGS FOR SIZE 16 and 22 CONTACTS PER AS38023 SPEC.	11-30-18	CT	RL		
C		VIEWS REDRAWN FOR CLARITY; ECO 19-016084	14JAN2020	CT	RL		



PCB LAYOUT



ASSEMBLY, SOCKET INSERT PCB

SIZE	SIZE 16	SIZE 22	SIZE 24
CURRENT RATING (A)	13	5	3
TAIL DIAMETER (MM)	1.20±0.03	0.62±0.05	0.60±0.05
FINISH ON EXTENDED TAILS	GOLD	GOLD	GOLD
QUANTITY	6	2	8

2828405-1  
PART NUMBER

THIS DRAWING IS A CONTROLLED DOCUMENT. DWN: DLB 01APR2015, CHK: RL 01APR2015, APVD: -

DIMENSIONS: mm. TOLERANCES UNLESS OTHERWISE SPECIFIED: 0 PLC ±0.5, 1 PLC ±0.13, 2 PLC ±0.13, 3 PLC ±0.013, 4 PLC ±0.0001, ANGLES ±0.0001.

MATERIAL: -. FINISH: -. WEIGHT: -. Customer Drawing

PRODUCT SPEC: -. APPLICATION SPEC: -. SIZE: A100779. CAGE CODE: 2828405. DRAWING NO: 2828405. RESTRICTED TO: -. SCALE: 8:1. SHEET: 1 OF 1. REV: C.

**STE** TE Connectivity

ASSEMBLY, SOCKET INSERT STRAIGHT PCB, 16-02 MODULE STANDARD PNB