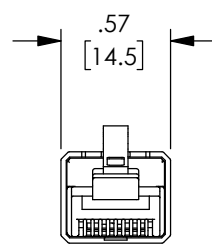
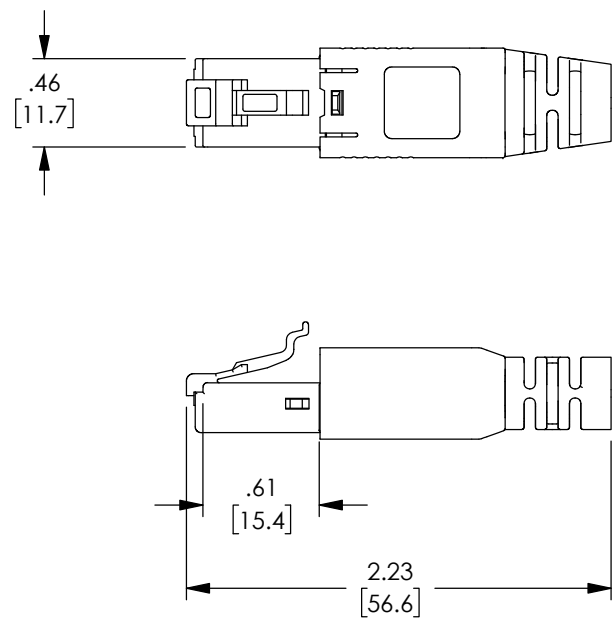


THE INFORMATION CONTAINED IN THIS DRAWING IS THE SOLE PROPERTY OF L-COM, INC. ANY REPRODUCTION IN PART OR WHOLE WITHOUT THE WRITTEN PERMISSION OF L-COM, INC. IS PROHIBITED.

REVISIONS			
REV	DESCRIPTION	DATE	APPROVED
A	INITIAL RELEASE	11/07/2019	DGUTTADAUR



SPECIFICATIONS:

QUALIFIED UNSCREENED CAT6A, CONNECTING HARDWARE
 TIA-568.2-D
 IEC 60603-7-41
 ISO/IEC 11801 2.2 EDITION
 CENELEC EN50173-1

POWER OVER ETHERNET:

PoE+ TYPE I & II
 IEEE 802.3at
 IEC 60512-99-001 (2012-08)
 IEC 60512-9-3 (2011-06)

ELECTRICAL:

CONTACT RESISTANCE: 20 mOhm MAXIMUM
 INSULATION RESISTANCE: 500 MOhm MINIMUM

MECHANICAL:


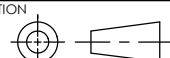
DURABILITY: 1000 MATING CYCLES
 CABLE TO PLUG TENSILE STRENGTH: 20LBS (89N) MIN.
 TEMPERATURE: -40°F TO 150°F (-40 °C TO +68 °C)

PHYSICALS:

IDC-CONTACT: T=0.4mm PHOSPHOR BRONZE, Sn OVER NICKEL PLATING
 RECOMMENDED CABLE: SOLID #26 ~ 23AWG OUTER DIAMETER: 6.0 ~ 8.5mm

MISCELLANEOUS:

ALL DIMENSIONS ARE FOR REFERENCE ONLY.
 COMPONENTS COME UN-ASSEMBLED AND SHALL BE INDIVIDUALLY PACKAGED
 IN ACCORDANCE WITH L-COM SPECIFICATION PS-0031.

UNLESS OTHERWISE SPECIFIED, DIMENSIONS ARE IN INCHES [mm] OVERALL CABLE LENGTH TOLERANCE: ≤12 [305] = +1 [25] / -0 >12 [305] ≤60 [1524] = +2 [51] / -0 >60 [1524] ≤120 [3048] = +4 [102] / -0 >120 [3048] ≤300 [7620] = +6 [152] / -0 >300 [7620] = +3% / -0%	APPROVALS	DATE	 50 HIGH STREET NORTH ANDOVER, MA 01845
	DRAWN BY DFRISIELLO	11/04/2019	
ALL OTHER DIMENSIONAL TOLERANCES: .X = ± .2 [5] .XX = ± .02 [5] .XXX = ± .005 [13]	CHECKED BY DGUTTADAUR	11/06/2019	CATEGORY TELECOM/MODULAR
	APPROVED BY DGUTTADAUR	11/06/2019	
PROJECTION 	CONFIGURATION DETAILS OF UNDIMENSIONED FEATURES MAY VARY	PRODUCT DESCRIPTION RJ45 FIELD-TERM C6A PLUG UTP	
	COLOR VARIATIONS MAY OCCUR	SIZE A	CAGE CODE 43321
		DWG. NO. TSPFTC6A	REV. A
		SCALE: NONE	SHEET 1 OF 1

L-com (OD) 2019