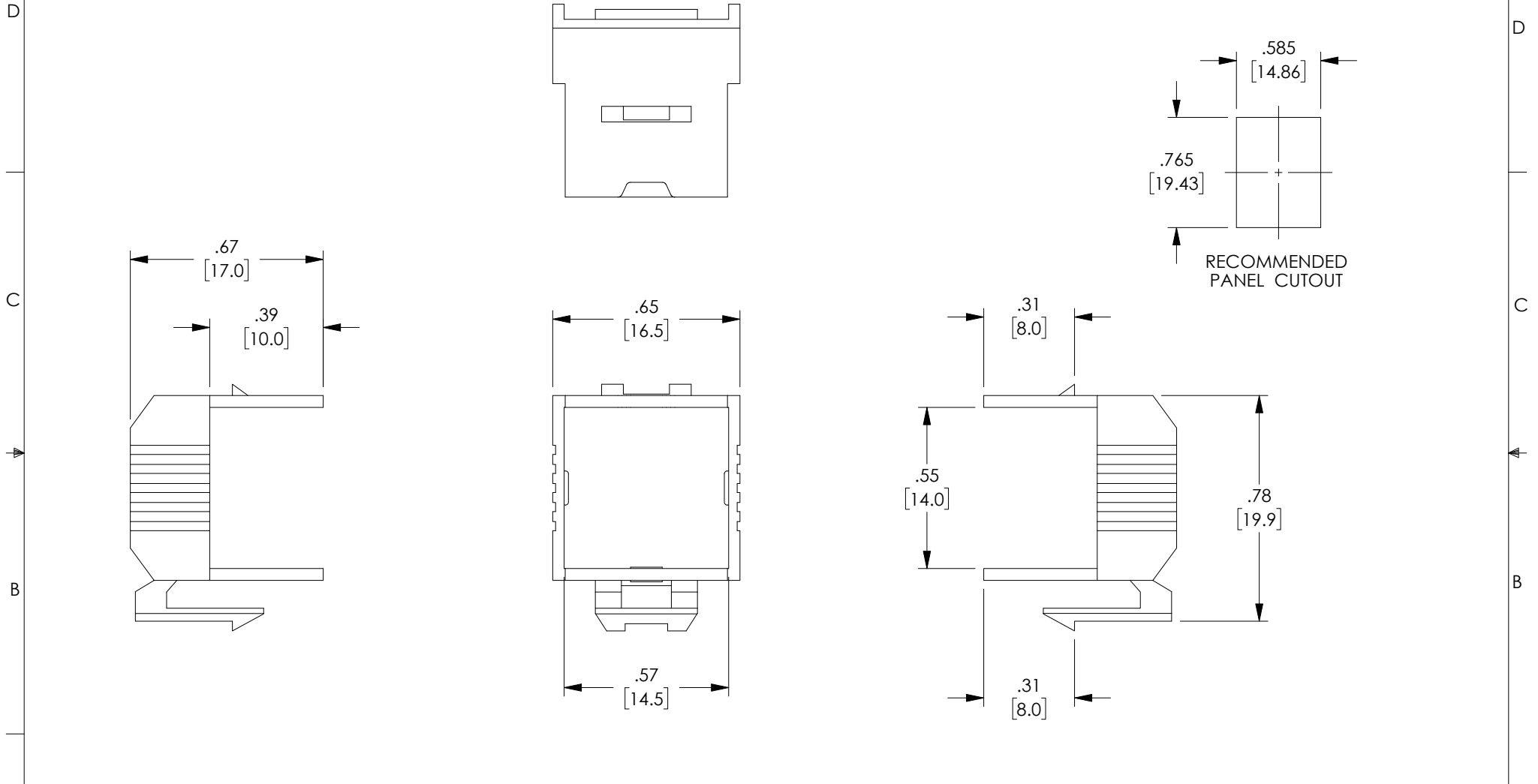


THE INFORMATION CONTAINED IN THIS DRAWING IS THE SOLE PROPERTY OF L-COM, INC. ANY REPRODUCTION IN PART OR WHOLE WITHOUT THE WRITTEN PERMISSION OF L-COM, INC. IS PROHIBITED.

REVISIONS			
REV	DESCRIPTION	DATE	APPROVED
A	INITIAL RELEASE	11/06/2019	DGUTTADAUR



- NOTES:**
1. ALL DIMENSIONS ARE FOR REFERENCE ONLY.
 2. ADAPTER MATERIAL: HIGH IMPACT FLAME RETARDANT PLASTIC, WHITE.

<p>UNLESS OTHERWISE SPECIFIED, DIMENSIONS ARE IN INCHES [mm]</p> <p>OVERALL CABLE LENGTH TOLERANCE: ≤12 [305] = +1 [25] / -0 >12 [305] ≤60 [1524] = +2 [51] / -0 >60 [1524] ≤120 [3048] = +4 [102] / -0 >120 [3048] ≤300 [7620] = +6 [152] / -0 >300 [7620] = +5% / -0%</p> <p>ALL OTHER DIMENSIONAL TOLERANCES: .X = ±.2 [5] .XX = ±.02 [.5] .XXX = ±.005 [.13]</p> <p>PROJECTION</p>	<p>APPROVALS</p> <p>DFRISIELLO</p> <p>CHECKED BY</p> <p>DGUTTADAUR</p> <p>APPROVED BY</p> <p>DGUTTADAUR</p>	<p>DATE</p> <p>10/29/2019</p> <p>11/06/2019</p> <p>11/06/2019</p>	<p>50 HIGH STREET NORTH ANDOVER, MA 01845</p>	
	<p>CONFIGURATION DETAILS OF UNDIMENSIONED FEATURES MAY VARY</p>		<p>CATEGORY</p> <p>TELECOM/MODULAR</p>	<p>PRODUCT DESCRIPTION</p> <p>ECF KEYSTONE ADAPTER FOR TDG1026KS-C6A-DC</p>
	<p>COLOR VARIATIONS MAY OCCUR</p>	<p>SIZE</p> <p>A</p>	<p>CAGE CODE</p> <p>43321</p>	<p>DWG. NO.</p> <p>ECF-DC</p>
	<p>SCALE: NONE</p>		<p>SHEET 1 OF 1</p>	

L-com (OD) 2019