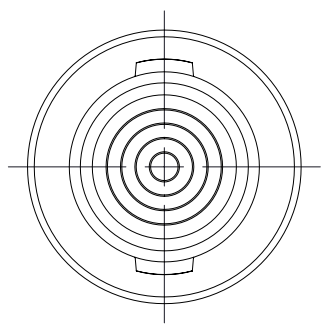
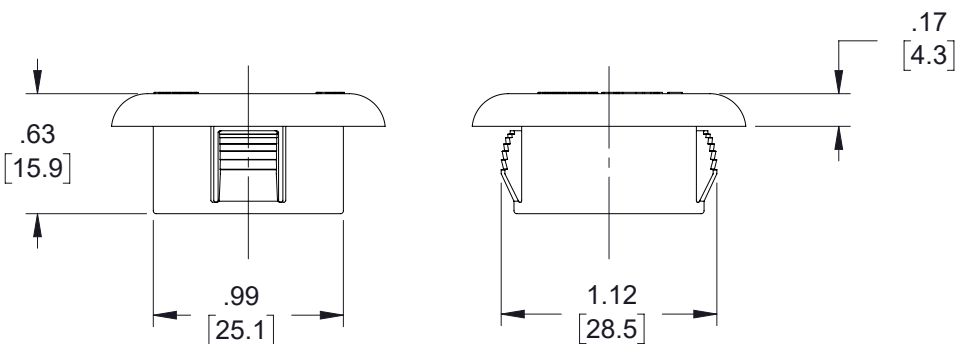
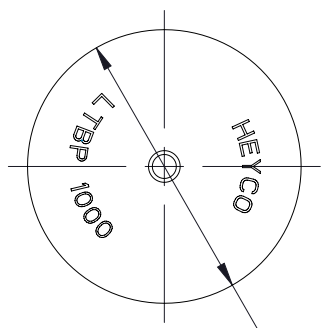

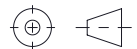


THE INFORMATION CONTAINED IN THIS DRAWING IS THE SOLE PROPERTY OF L-COM, INC. ANY REPRODUCTION IN PART OR WHOLE WITHOUT THE WRITTEN PERMISSION OF L-COM, INC. IS PROHIBITED.

REVISIONS			
REV	DESCRIPTION	DATE	APPROVED
A	INITIAL RELEASE	11/05/19	MMARTINEZ
B	ECN 10369: ADDED "ALL DIMENSIONS FOR REFERENCE ONLY"	02/14/20	MMARTINEZ



ALL DIMENSIONS FOR REFERENCE ONLY

<p>UNLESS OTHERWISE SPECIFIED, DIMENSIONS ARE IN INCHES [mm]</p> <p>DIMENSIONAL TOLERANCES:</p> <p>.X = ± .1 [2.54]      FRACTIONS ± 1/32</p> <p>.XX = ± .01 [25]      ANGLES ± 1°</p> <p>.XXX = ± .005 [13]</p>	APPROVALS	DATE	 <p>50 High Street, West Mill, North Andover, MA 01845 USA. Phone: 1.800.341.5266 1.978.682.6936</p>
	DRAWN BY DZINN	11/05/19	
	CHECKED BY DFRISIELLO	11/05/19	<p>PRODUCT DESCRIPTION</p> <p>Liquid Tight Hole Plug (.200-.715)</p>
	APPROVED BY MMARTINEZ	11/05/19	
<p>THIRD-ANGLE PROJECTION</p> 	<p>CONFIGURATION DETAILS OF UNDIMENSIONED FEATURES MAY VARY</p>	<p>COLOR VARIATIONS MAY OCCUR</p>	<p>SCALE: NONE    CAD FILE: NB-HPLG-100.SLDDRW    SHEET 1 OF 1</p>