

TABLE 1

ITEM	COMPONENT	MATERIAL	FINISH
1	REC SHELL	BRASS	NICKEL PLATED
2	INSERT	PUR	BLACK
3	CONTACT	BRASS /GOLD	CuZn Ni/Au
4	WIRES	COPPER/PVC	NONE
5	O-RING	NBR	BLACK
6	O-RING	VITON	RED
7	POTTING MATERIAL	WEVO	NONE

THIS DRAWING CONTAINS INFORMATION THAT IS PROPRIETARY TO MOLEX ELECTRONIC TECHNOLOGIES, LLC AND SHOULD NOT BE USED WITHOUT WRITTEN PERMISSION

SYMBOLS	DIMENSION UNITS	SCALE	CURRENT REV DESC:		
▽ = 0	mm	2:1	<p>molex</p> <p>REC U12 XP AC FE XM M16 FM WIR BRA AU</p> <p>PRODUCT CUSTOMER DRAWING</p> <p>DOCUMENT NUMBER: 1200845107 DOC TYPE: PSD DOC PART: 000 REVISION: A4</p> <p>MATERIAL NUMBER: SEE SHEET 3 CUSTOMER: GENERAL MARKET SHEET NUMBER: 1 OF 3</p>		
▽ = 0	GENERAL TOLERANCES (UNLESS SPECIFIED)				
▽ = 0	ANGULAR TOL ± 1.0°				
▽ = 0	4 PLACES ±				
▽ = 0	3 PLACES ±				
▽ = 0	2 PLACES ± 0.05		INITIAL REVISION:		
▽ = 0	1 PLACE ± 0.3		DRWN: SSM 2017/09/26		
▽ = 0	0 PLACES ± 0.5		APPR: RSILLER 2017/12/15		
□ = 0	DRAFT WHERE APPLICABLE MUST REMAIN WITHIN DIMENSIONS		THIRD ANGLE PROJECTION		
▽ = 0			DRAWING: A3-SIZE	SERIES: 120084	

4 POLE VERSIONS

PIN	WIRE COLOR
1	BROWN
2	WHITE
3	BLUE
4	BLACK

5 POLE VERSIONS

PIN	WIRE COLOR
1	BROWN
2	WHITE
3	BLUE
4	BLACK
5	GREEN/YELLOW OR GREY

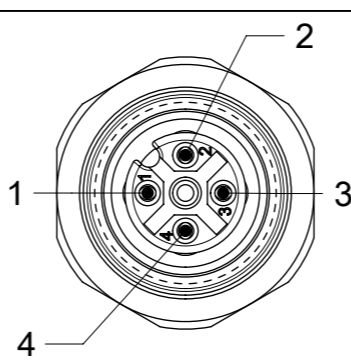
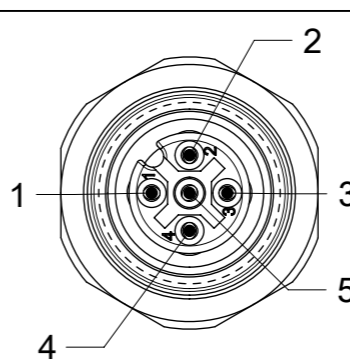
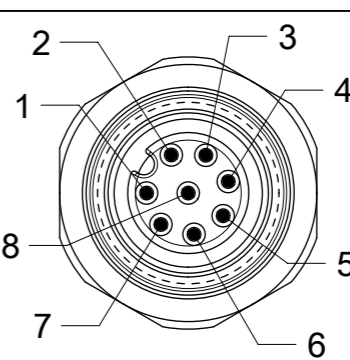
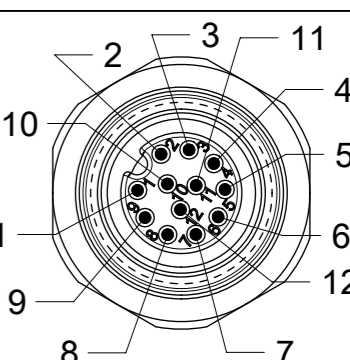
8 POLE VERSIONS

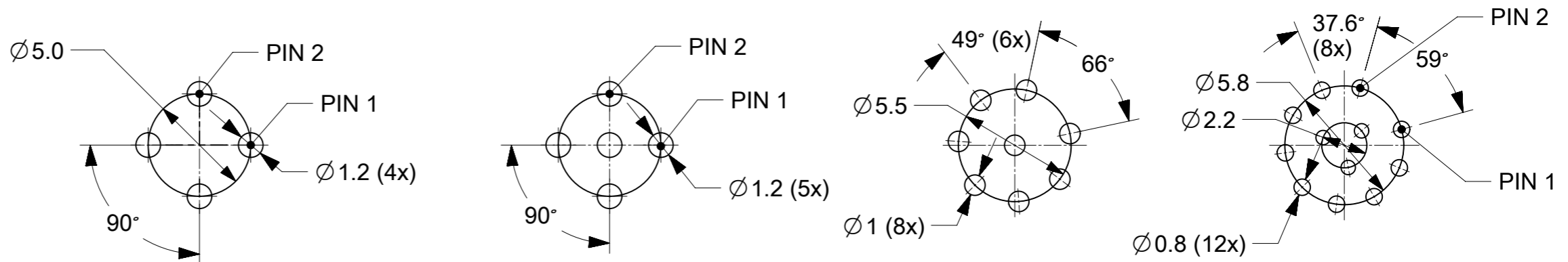
PIN	WIRE COLOR
1	WHITE
2	BROWN
3	GREEN
4	YELLOW
5	GREY
6	PINK
7	BLUE
8	RED

12 POLE VERSIONS

PIN	WIRE COLOR
1	WHITE
2	BROWN
3	GREEN
4	YELLOW
5	GREY
6	PINK
7	BLUE
8	RED
9	BLACK
10	VIOLET
11	GRAY/PINK
12	RED/BLUE

TABLE 3

POLES	4 POLE	5 POLE	8 POLE	12 POLE
LAYOUT				
VOLTAGE RATING	250V	60V	30V	30V
CODING	A - Code	A - Code	A - Code	A - Code
AMPERE RATING	4A	4A	2A	1.5A
PROTECTION CLASS CONNECTOR INTERFACE SHELL TO ENCLOSURE	IP 67/69K (in mated condition / when properly installed)			
OPERATING TEMP.	-25°C / 85°C			
CSA CERTIFICATION	FILE NO. LR6837			
WIRE LEAD	0.34 mm ² PVC	0.34 mm ² PVC	0.25 mm ² PVC	0.14 mm ² PVC
PIN DIAMETER	1.0 mm	1.0 mm	0.8 mm	0.6 mm
WIRE COLOR	ACCORDING TO IEC 60947-5-2		ACCORDING TO DIN 47100	



DRILL LAYOUT BACKSIDE

SYMBOLS	THIS DRAWING CONTAINS INFORMATION THAT IS PROPRIETARY TO MOLEX ELECTRONIC TECHNOLOGIES, LLC AND SHOULD NOT BE USED WITHOUT WRITTEN PERMISSION		CURRENT REV DESC:		molex
	DIMENSION UNITS	SCALE			
▽ = 0	mm	2:1			REC U12 XP AC FE XM M16 FM WIR BRA AU
▽ = 0	GENERAL TOLERANCES (UNLESS SPECIFIED)				
▽ = 0	ANGULAR TOL ± 1.0°				PRODUCT CUSTOMER DRAWING
▽ = 0	4 PLACES	±	EC NO: 632135		
▽ = 0	3 PLACES	±	DRWN: SSM 2020/02/04		
▽ = 0	2 PLACES	± 0.05	CHK'D: RSILLER 2020/02/14		
▽ = 0	1 PLACE	± 0.3	APPR: RSILLER 2020/02/14		
▽ = 0	0 PLACES	± 0.5	INITIAL REVISION:		
☒ = 0	DRAFT WHERE APPLICABLE MUST REMAIN WITHIN DIMENSIONS		DRWN: SSM 2017/09/26		DOCUMENT NUMBER
▽ = 0	THIRD ANGLE PROJECTION		APPR: RSILLER 2017/12/15		1200845107
	DRAWING		SERIES		DOC TYPE
	A3-SIZE		120084		PSD
	MATERIAL NUMBER		CUSTOMER		DOC PART
	SEE SHEET 3		GENERAL MARKET		000
	SHEET NUMBER				REVISION
	2 OF 3				A4

PART LIST

4 POLE VERSIONS

MOLEX P/N	ENGINEERING NR.	L [mm]	TOL
1200845107	WR4U20E03C3003	300	±10
1200250006	WR4U20E03C300	300	±10
1200848085	WR4U20E03C500	500	±20

5 POLE VERSIONS


MOLEX P/N	ENGINEERING NR.	L [mm]	TOL	PIN 5
1200845113	WR5U20E03C3003	300	±10	GN/YE
1200848027	WR5U20E03C500	500	±20	GN/YE
1200848037	WR5U20E03M020	200	±10	GREY
1200848124	WR5U20E03M010	100	±5	GN/YE

8 POLE VERSIONS

MOLEX P/N	ENGINEERING NR.	L [mm]	TOL
1200845002	WR8U20E02M010	100	±5
1200845095	WR8U20E02C300	300	±10

12 POLE VERSIONS

MOLEX P/N	ENGINEERING NR.	L [mm]	TOL
1200845012	WRCU20E01C200	200	±5
1200845013	WRCU20E01C300	300	±10

SYMBOLS ▽ = 0 ▽ = 0 ▽ = 0 ▽ = 0 ▽ = 0 ▽ = 0 ▽ = 0 ▽ = 0 ▽ = 0 ▽ = 0	THIS DRAWING CONTAINS INFORMATION THAT IS PROPRIETARY TO MOLEX ELECTRONIC TECHNOLOGIES, LLC AND SHOULD NOT BE USED WITHOUT WRITTEN PERMISSION		CURRENT REV DESC:		 REC U12 XP AC FE XM M16 FM WIR BRA AU		
	DIMENSION UNITS	SCALE	EC NO: 632135			DOCUMENT NUMBER	
	mm	1:1	DRWN: SSM 2020/02/04			1200845107	
	GENERAL TOLERANCES (UNLESS SPECIFIED)		CHK'D: RSILLER 2020/02/14		DOC TYPE	DOC PART	REVISION
	ANGULAR TOL ± 1.0°		APPR: RSILLER 2020/02/14		PSD	000	A4
	4 PLACES ±		INITIAL REVISION:		MATERIAL NUMBER		CUSTOMER
	3 PLACES ±		DRWN: SSM 2017/09/26		SEE PART LIST		GENERAL MARKET
	2 PLACES ± 0.05		APPR: RSILLER 2017/12/15		SERIES		SHEET NUMBER
	1 PLACE ± 0.3		DRAFT WHERE APPLICABLE MUST REMAIN WITHIN DIMENSIONS		A3-SIZE		120084
	0 PLACES ± 0.5		THIRD ANGLE PROJECTION		DRAWING		3
▣ = 0		DRAWING		SERIES		1	
▽ = 0		DRAWING		SERIES		1	