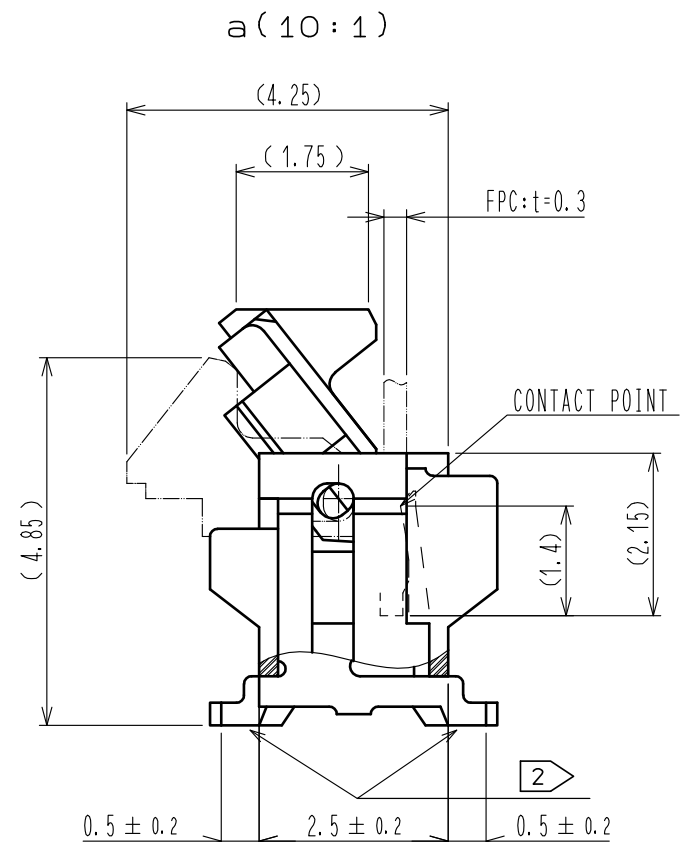
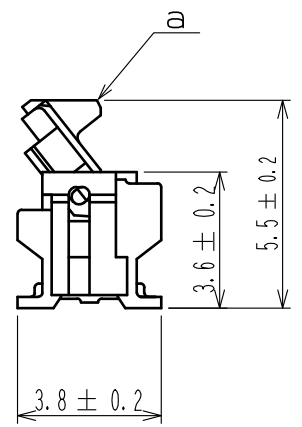
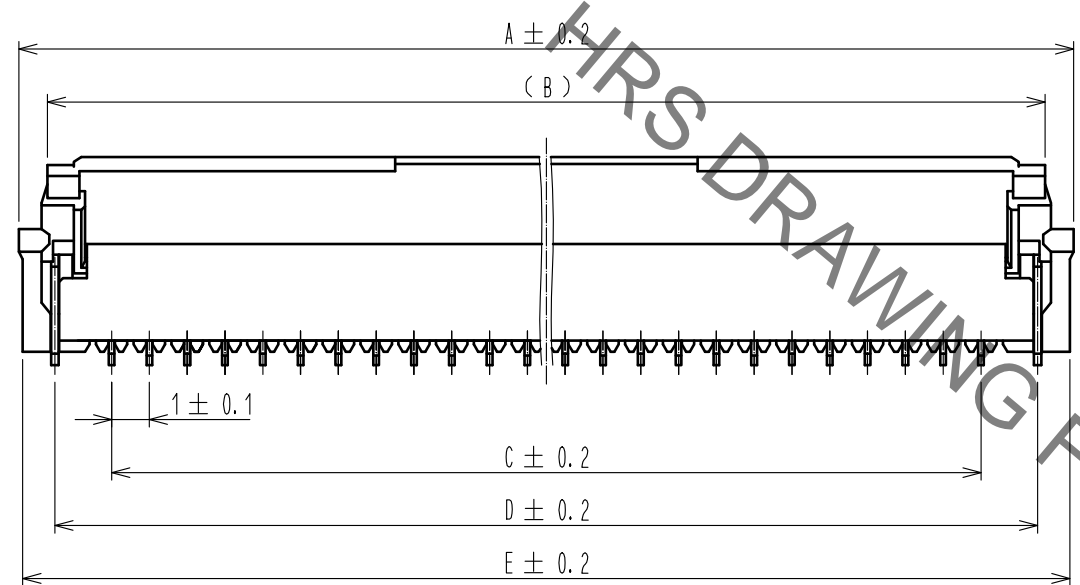
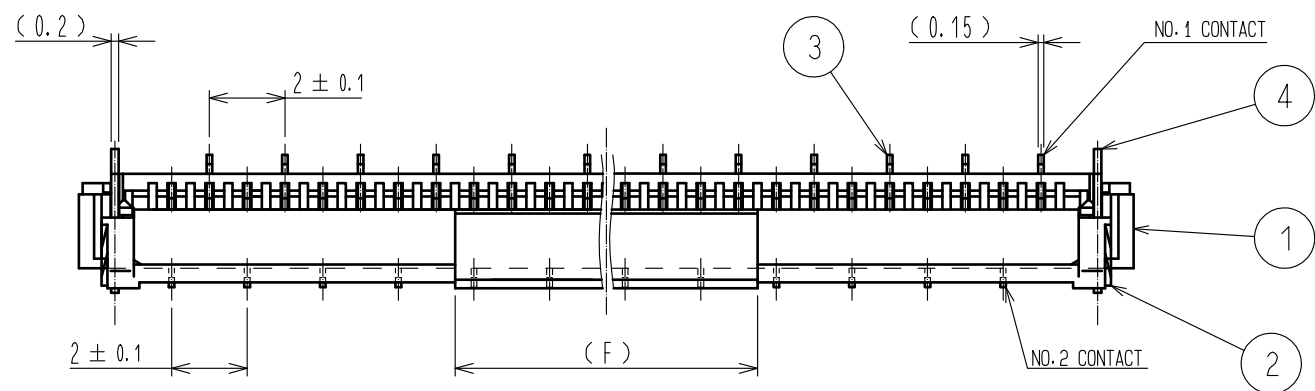


Jun.1.2020 Copyright 2020 HIROSE ELECTRIC CO., LTD. All Rights Reserved.
In case of consideration for using Automotive equipment / device which demand high reliability, kindly contact our sales window correspondents.



- NOTE 1 THE DIMENSIONS IN PARENTHESES ARE FOR REFERENCE.
 2 LEAD CO-PLANARITY SHALL BE 0.1 MAX.
 3 SEE DIMENSION TABLE IN THE APPENDIX.
 4 DIFFERENCES OF THE GOLD PLATED AREA DO NOT INFLUENCE ON THE PRODUCT PERFORMANCE.
 5 'n' REPRESENTS THE NUMBER OF CONTACTS.

HRS DRAWING FOR REFERENCE

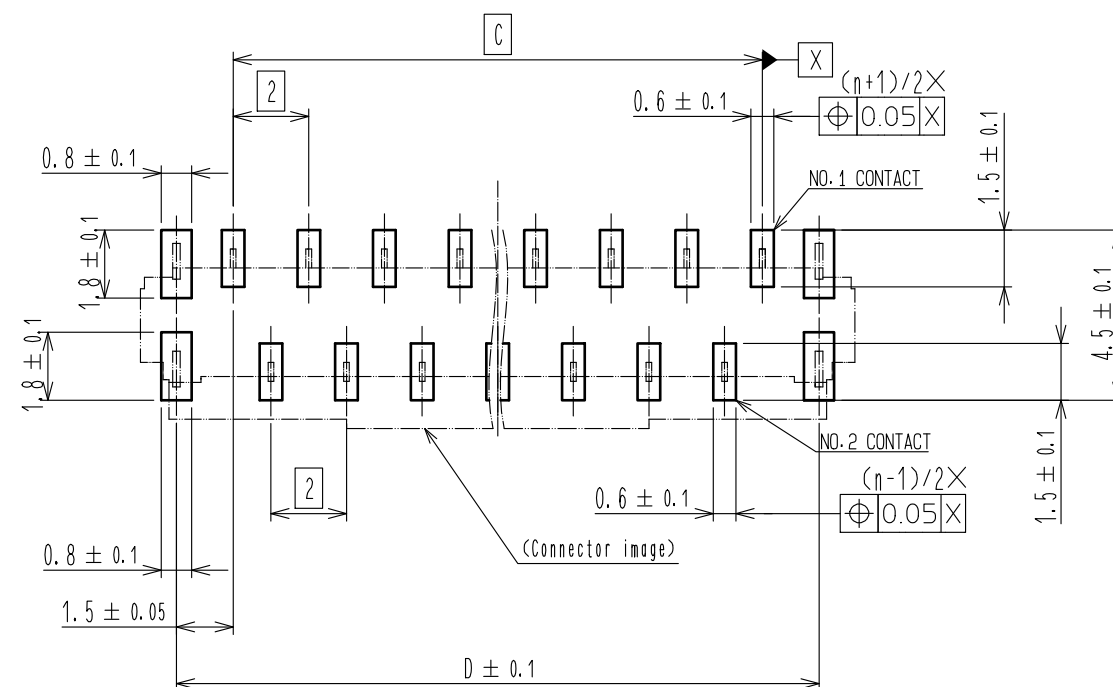
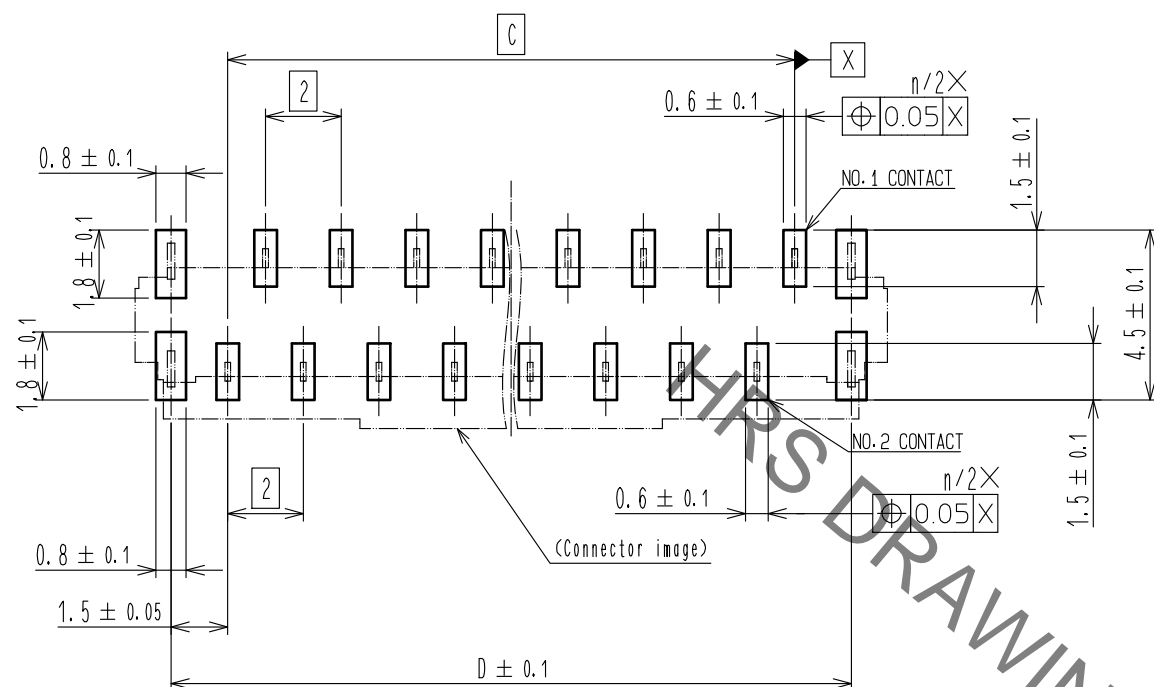
| 3 | PHOSPHOR BRONZE | (CONTACT AREA, LEAD) GOLD PLATING 0.05μmMIN OVER NICKEL 1μmMIN (OTHER) NICKEL PLATING 1μmMIN | 8 (CONNECTOR) 7 POLYSTYRENE 6 POLYESTER |
|----------------------------------|-----------------|---|---|
| 2 | PPS | (DEEP BROWN) UL94V-0 | 5 POLYSTYRENE |
| 1 | PA | (BEIGE) UL94V-0 | 4 BRASS TIN PLATING 1μm MIN-OVER NICKEL 1μm MIN. |
| NO. | MATERIAL | FINISH . REMARKS | NO. MATERIAL FINISH . REMARKS |
| UNITS mm | | SCALE 5 : 1 | COUNT 7 |
| DESCRIPTION OF REVISIONS | | DESIGNED SE. YOKOYAMA | CHECKED HS. SAKAMOTO |
| DATE 20190718 | | DATE 20190718 | |
| APPROVED : NF. MIYAZAKI 20150916 | | DRAWING NO. EDC-366184-00-00 | |
| CHECKED : HS. SAKAMOTO 20150915 | | PART NO. FH12- ** S-1SVA(54) | |
| DESIGNED : SG. MASAKI 20150915 | | CODE NO. CL586 | |
| DRAWN : SG. MASAKI 20150915 | | 1/5 | |

Jun.1.2020 Copyright 2020 HIROSE ELECTRIC CO., LTD. All Rights Reserved.
In case of consideration for using Automotive equipment / device which demand high reliability, kindly contact our sales window correspondents.

RECOMMENDED PCB MOUNTING PATTERN

NUMBER OF CONTACTS: EVEN NUMBER

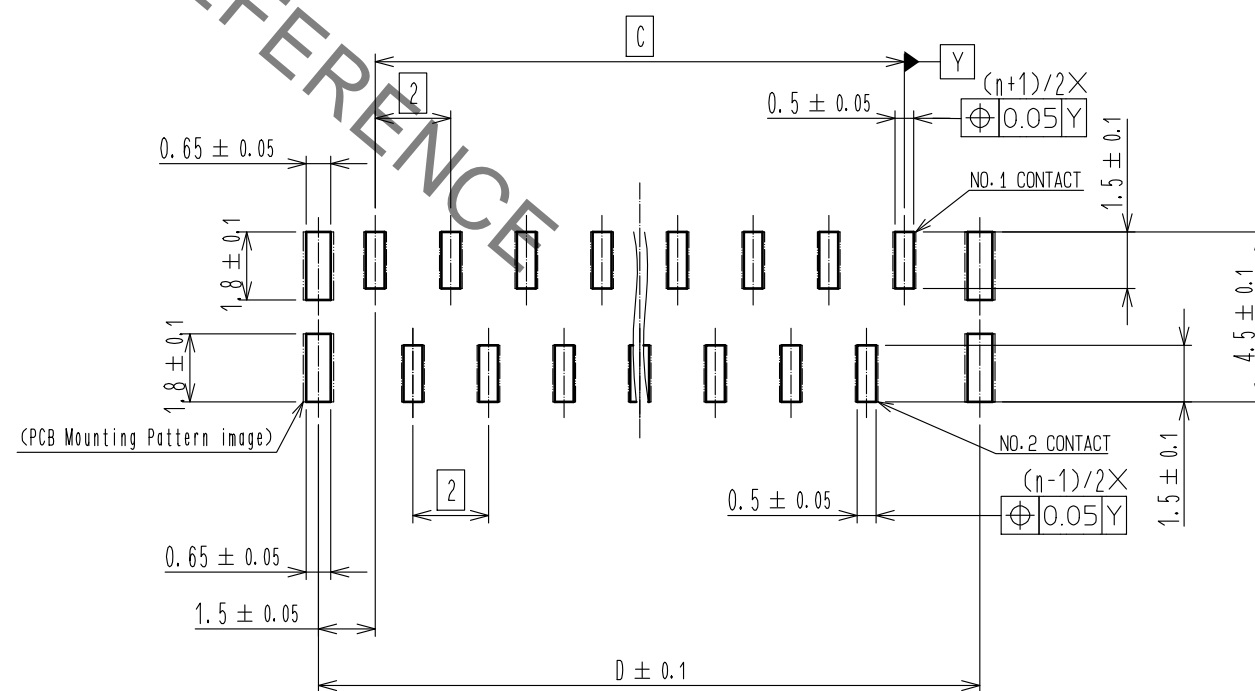
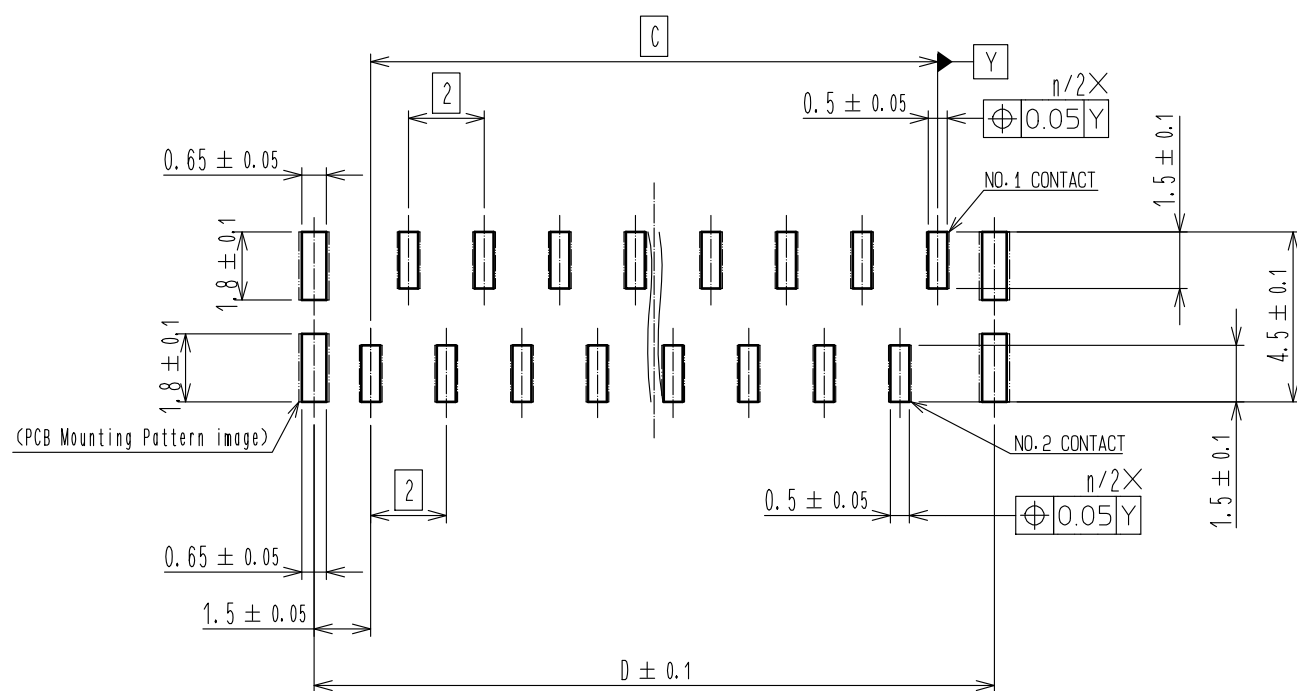
NUMBER OF CONTACTS: ODD NUMBER



RECOMMENDED STENCIL PATTERN (RECOMMENDED STENCIL THICKNESS: t=0.15)

NUMBER OF CONTACTS: EVEN NUMBER

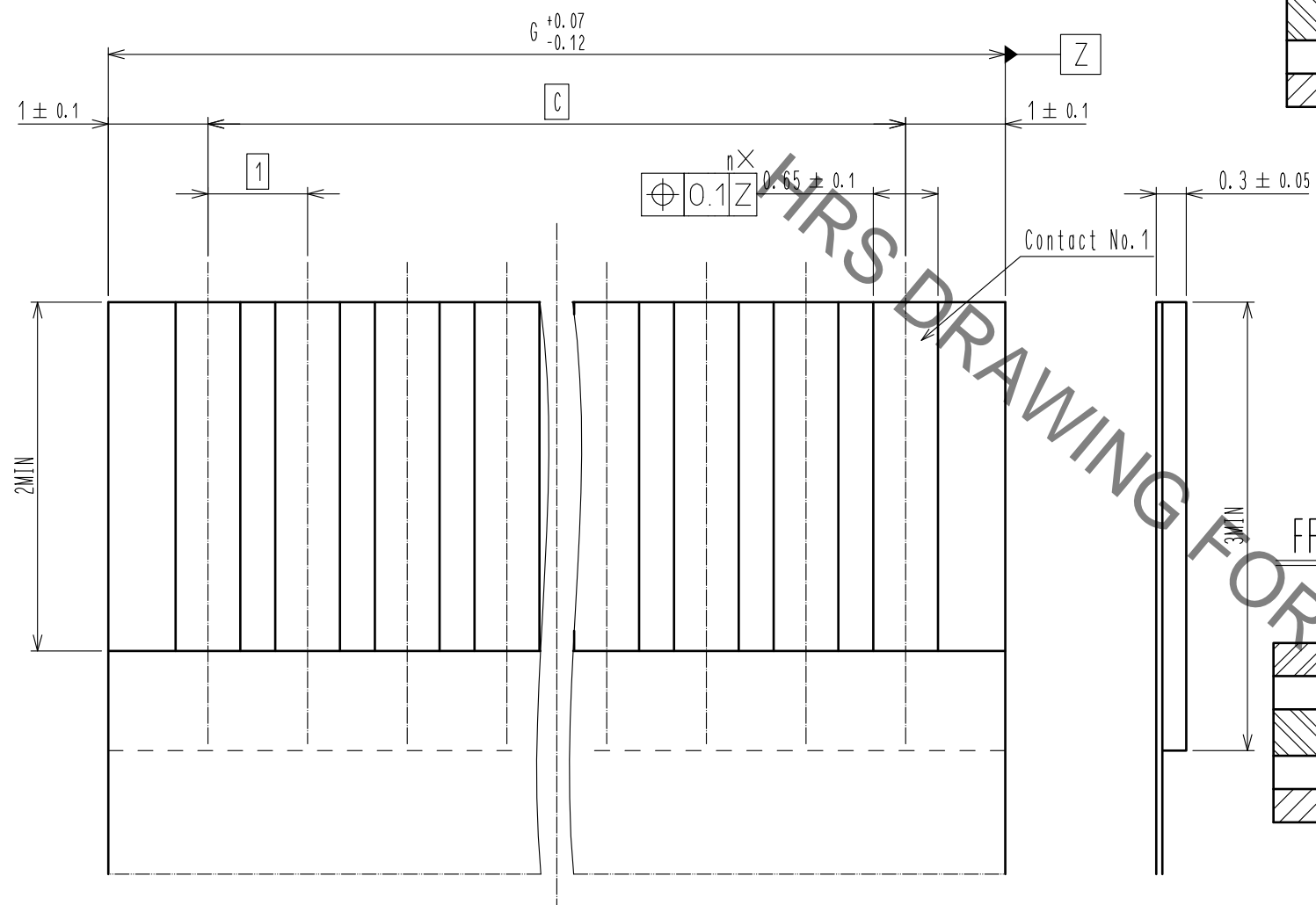
NUMBER OF CONTACTS: ODD NUMBER



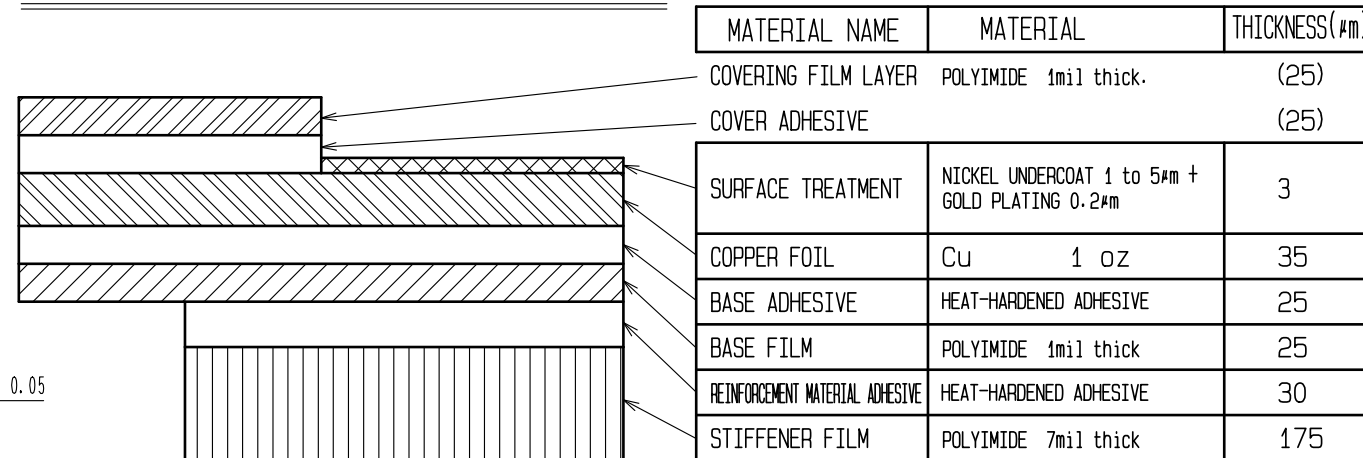
| | | |
|------------|-------------|--------------------|
| HRS | DRAWING NO. | EDC-366184-00-00 |
| | PART NO. | FH12-***S-1SVA(54) |
| | CODE NO. | CL586 |
| | | 2/5 |

Jun.1.2020 Copyright 2020 HIROSE ELECTRIC CO., LTD. All Rights Reserved.
 In case of consideration for using Automotive equipment / device which demand high reliability, kindly contact our sales window correspondents.

RECOMMENDED FPC/FFC (15:1)

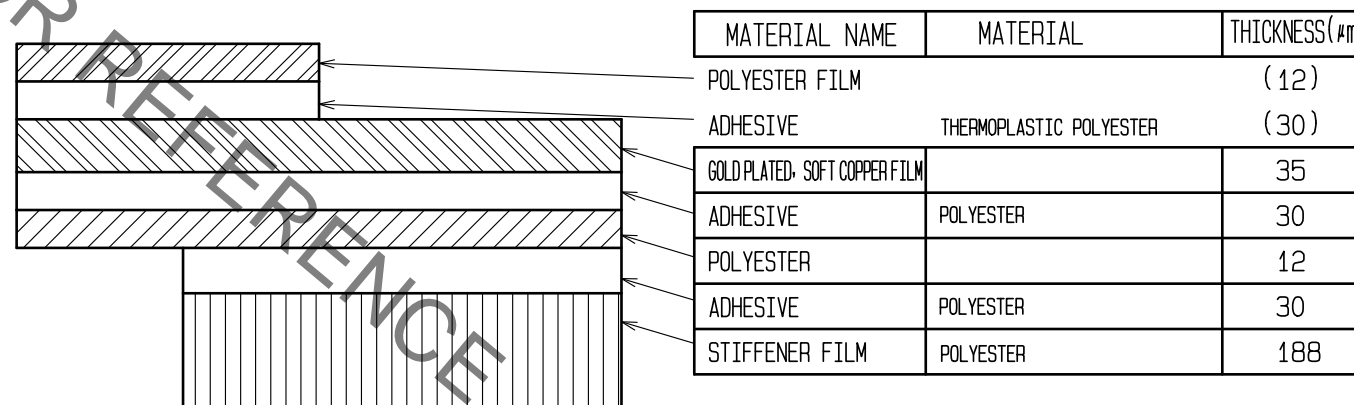


FPC CONFIGURATION (REFERENCE EXAMPLE) (SCALE:FREE)



| MATERIAL NAME | MATERIAL | THICKNESS(μm) |
|---------------------------------|--|---------------|
| COVERING FILM LAYER | POLYIMIDE 1mil thick. | (25) |
| COVER ADHESIVE | | (25) |
| SURFACE TREATMENT | NICKEL UNDERCOAT 1 to 5μm + GOLD PLATING 0.2μm | 3 |
| COPPER FOIL | CU 1 oz | 35 |
| BASE ADHESIVE | HEAT-HARDENED ADHESIVE | 25 |
| BASE FILM | POLYIMIDE 1mil thick | 25 |
| REINFORCEMENT MATERIAL ADHESIVE | HEAT-HARDENED ADHESIVE | 30 |
| STIFFENER FILM | POLYIMIDE 7mil thick | 175 |

FFC CONFIGURATION (REFERENCE EXAMPLE) (SCALE:FREE)



| MATERIAL NAME | MATERIAL | THICKNESS(μm) |
|------------------------------|-------------------------|---------------|
| POLYESTER FILM | | (12) |
| ADHESIVE | THERMOPLASTIC POLYESTER | (30) |
| GOLD PLATED SOFT COPPER FILM | | 35 |
| ADHESIVE | POLYESTER | 30 |
| POLYESTER | | 12 |
| ADHESIVE | POLYESTER | 30 |
| STIFFENER FILM | POLYESTER | 188 |



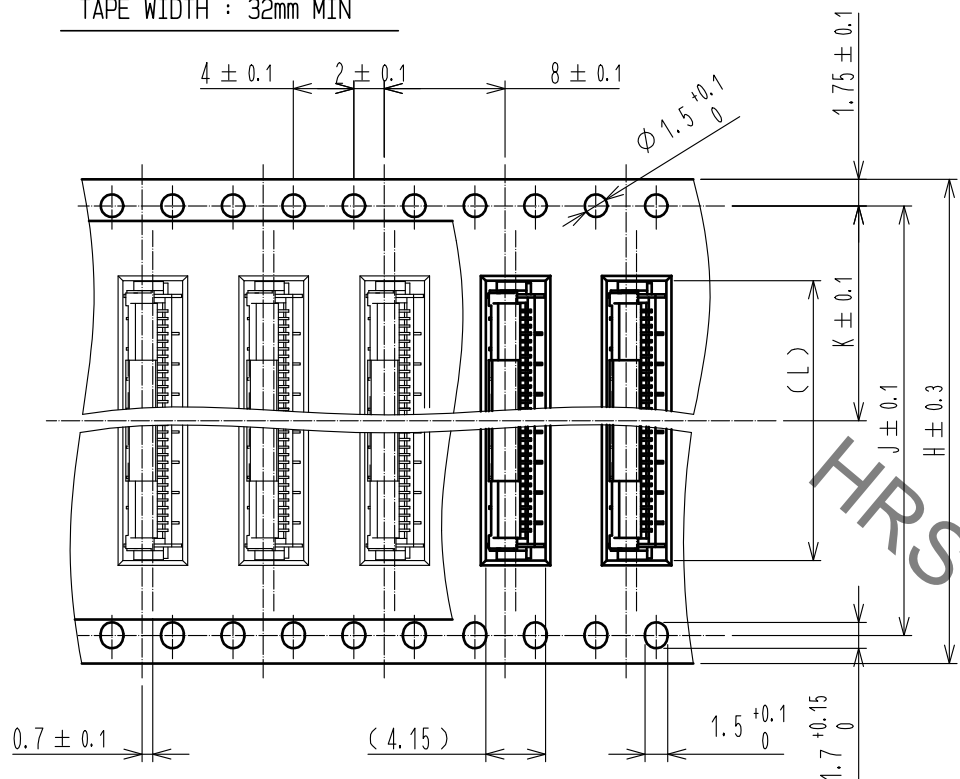
| | |
|-------------|--------------------|
| DRAWING NO. | EDC-366184-00-00 |
| PART NO. | FH12-***S-1SVA(54) |
| CODE NO. | CL586 |

3/5

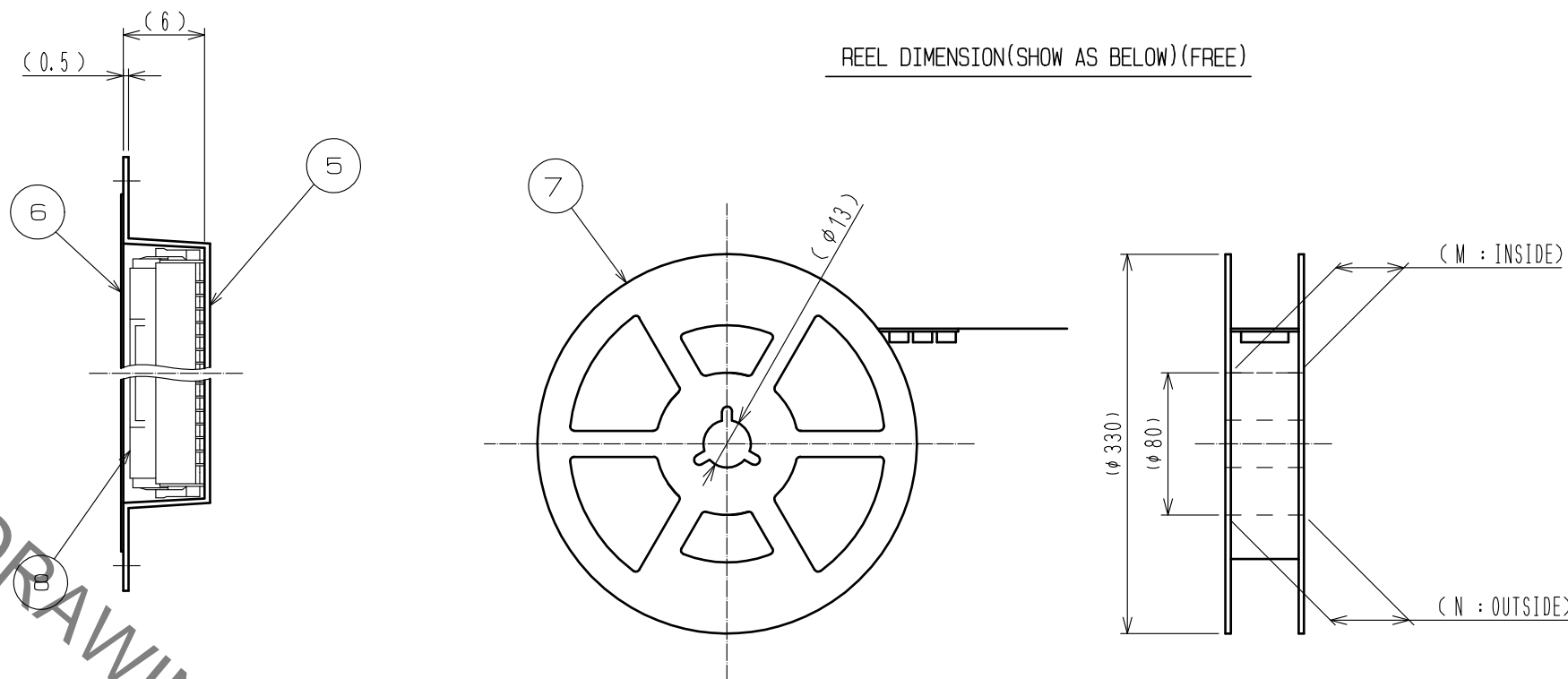
Jun.1.2020 Copyright 2020 HIROSE ELECTRIC CO., LTD. All Rights Reserved.
 In case of consideration for using Automotive equipment / device which demand high reliability, kindly contact our sales window correspondents.

EMBOSSED CARRIER TAPE DIMENSION (2:1)

TAPE WIDTH : 32mm MIN

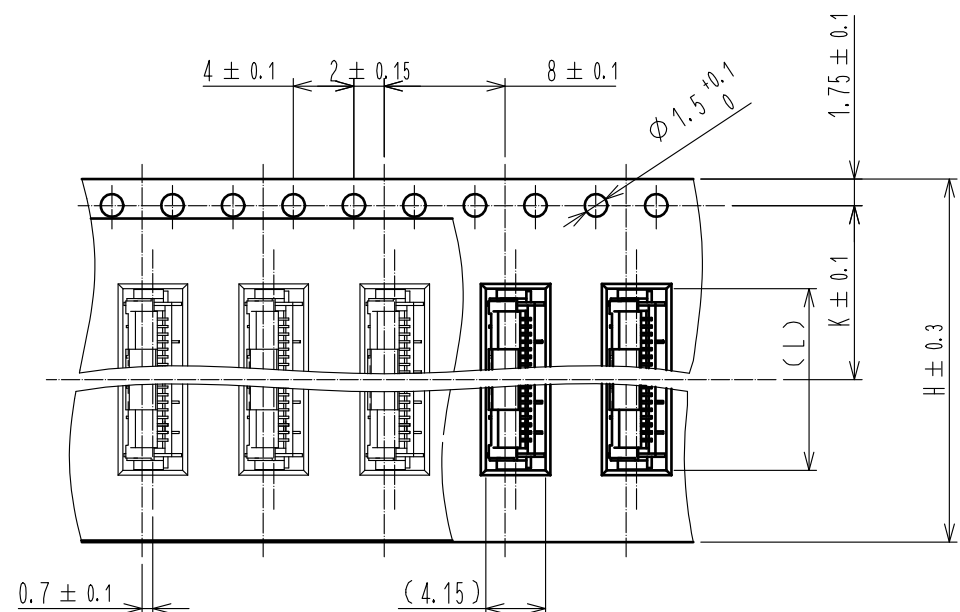


REEL DIMENSION(SHOW AS BELOW)(FREE)

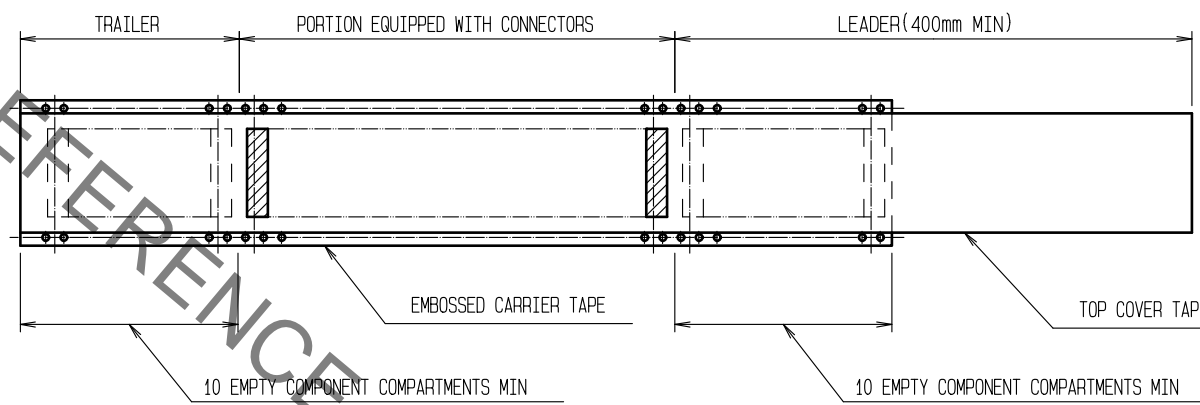


DIRECTION OF UNREELING

TAPE WIDTH : 24mm MAX



DIRECTION OF UNREELING



NOTE 6 1REEL : 1000 CONNECTORS.

DRAWING FOR PACKING

HRS

| | |
|-------------|-------------------|
| DRAWING NO. | EDC-366184-00-00 |
| PART NO. | FH12-**S-1SVA(54) |
| CODE NO. | CL586 |

4/5

Jun.1.2020 Copyright 2020 HIROSE ELECTRIC CO., LTD. All Rights Reserved.
 In case of consideration for using Automotive equipment / device which demand high reliability, kindly contact our sales window correspondents.

| | PART NO. | CODE NO. | NUMBER OF CONTACTS | DIMENSION TABLE OF CONNECTOR, FPC, FFC, PCB MOUNTING PATTERN AND STENCIL PATTERN | | | | | | | DIMENSION TABLE OF DRAWING FOR PACKING | | | | | |
|---|-------------------|-----------------|--------------------|--|------|----|----|------|---|----|--|------|------|----|------|------|
| | | | | A | B | C | D | E | F | G | H | J | K | L | M | N |
| △ | FH12- 6S-1SVA(54) | CL586-0822-0-54 | 6 | 9.9 | 8.4 | 5 | 8 | 9.7 | 4 | 7 | 24 | — | 11.5 | 10 | 25.4 | 29.4 |
| △ | FH12- 7S-1SVA(54) | CL586-0823-0-54 | 7 | 10.9 | 9.4 | 6 | 9 | 10.7 | 4 | 8 | 24 | — | 11.5 | 11 | 25.4 | 29.4 |
| △ | FH12- 8S-1SVA(54) | CL586-0824-0-54 | 8 | 11.9 | 10.4 | 7 | 10 | 11.7 | 4 | 9 | 24 | — | 11.5 | 12 | 25.4 | 29.4 |
| △ | FH12-16S-1SVA(54) | CL586-0825-0-54 | 16 | 19.9 | 18.4 | 15 | 18 | 19.7 | 8 | 17 | 32 | 28.4 | 14.2 | 20 | 33.4 | 37.4 |
| △ | FH12-20S-1SVA(54) | CL586-0826-0-54 | 20 | 23.9 | 22.4 | 19 | 22 | 23.7 | 8 | 21 | 44 | 40.4 | 20.2 | 24 | 45.4 | 49.4 |
| △ | FH12-22S-1SVA(54) | CL586-0827-0-54 | 22 | 25.9 | 24.4 | 21 | 24 | 25.7 | 8 | 23 | 44 | 40.4 | 20.2 | 26 | 45.4 | 49.4 |
| △ | FH12-24S-1SVA(54) | CL586-0828-0-54 | 24 | 27.9 | 26.4 | 23 | 26 | 27.7 | 8 | 25 | 44 | 40.4 | 20.2 | 28 | 45.4 | 49.4 |

THIS DRAWING FOR REFERENCE

| | | |
|------------|-------------|-------------------|
| HRS | DRAWING NO. | EDC-366184-00-00 |
| | PART NO. | FH12-**S-1SVA(54) |
| | CODE NO. | CL586 |

△ 5/5