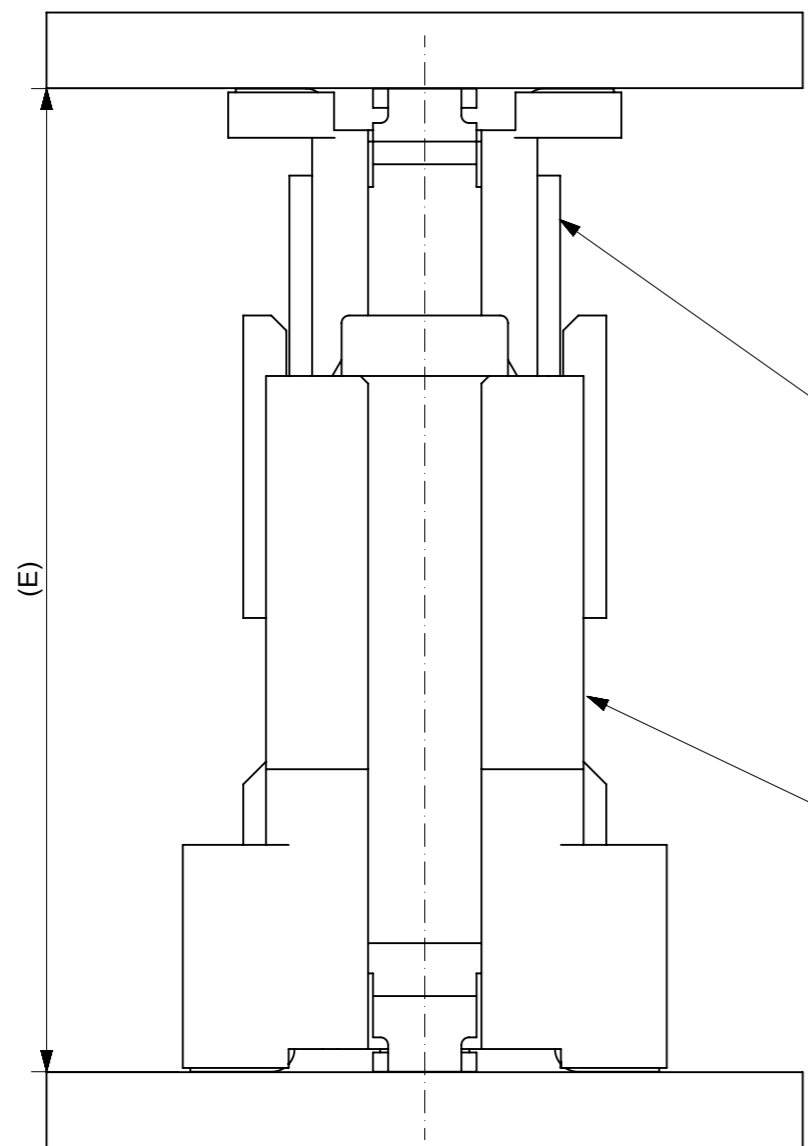


注) NOTES

- 材質 MATERIAL  
ハウジング: ガラス入りPPS、茶色、UL94V-0  
HOUSING: G.F.PPS, BROWN, UL94V-0  
ターミナル: 銅合金 (t=0.2)  
TERMINAL: COPPER ALLOY  
吸着カバー: ステンレス (t=0.2)  
VACUUM COVER: STAINLESS STEEL
- メッキ仕様 PLATING  
接点部: 金メッキ 0.25µmMIN.  
CONTACT AREA: GOLD 0.25 MICROMETER MIN.  
半田付け部: 錫メッキ 1.0µmMIN.  
SOLDER TAIL AREA: TIN 1.0 MICROMETER MIN.  
下地メッキ: ニッケルメッキ 1.5µmMIN.  
UNDER-PLATING: NICKEL 1.5 MICROMETER MIN.
- テールのバラツキ寸法 TAIL COPLANARITY  
テール平坦度は、0.1 MAX.とする。  
TAILS COPLANARITY TO BE 0.1 MAX.
- 本製品は 53647-\*\*\*2 の鉛フリー品である。  
THIS PRODUCT IS LEAD FREE OF 53647-\*\*\*2.

無し WITHOUT	53.77	52.67	50.165	57.67	53647-1674	160
	47.42	46.32	43.815	51.32	53647-1474	140
	41.07	39.97	37.465	44.97	53647-1274	120
	34.72	33.62	31.115	38.62	53647-1074	100
	28.37	27.27	24.765	32.27	53647-0874	80
有り WITH	22.02	20.92	18.415	25.92	53647-0674	60
	15.67	14.57	12.065	19.57	53647-0474	40
	12.5	11.4	8.89	16.4	53647-0374	30
ハウジングロック HSG LOCK	9.32	8.22	5.715	13.22	53647-0274	20
	D	C	B	A	エンボス梱包 EMBOSSED PACKAGE オーダー番号 ORDER NO.	極数 CKT

GENERAL TOLERANCES (UNLESS SPECIFIED)		THIS DRAWING CONTAINS INFORMATION THAT IS PROPRIETARY TO MOLEX ELECTRONIC TECHNOLOGIES, LLC AND SHOULD NOT BE USED WITHOUT WRITTEN PERMISSION	
10 UNDER	± 0.2	DIMENSION UNITS	SCALE
10 OVER 30 UNDER	± 0.25	mm	-
30 OVER	± 0.3	CURRENT REV DESC:	
ANGULAR ± 3 °		EC NO: 612735	
DRAFT WHERE APPLICABLE MUST REMAIN WITHIN DIMENSIONS		DRWN: GSHARMA 2019/02/26	
		CHK'D: MSASAO 2019/02/26	
		APPR: MSASAO 2019/02/26	
		INITIAL REVISION:	
		DRWN: YWADA 2004/03/23	
		APPR: MSASAO 2004/03/24	
		THIRD ANGLE PROJECTION	DRAWING
		⊕	A3-SIZE
		SERIES	53647
		MATERIAL NUMBER	SEE CHART
		CUSTOMER	GENERAL MARKET
		DOCUMENT NUMBER	SD-53647-002
		DOC TYPE	PSD
		DOC PART	001
		REVISION	H1
		SHEET NUMBER	1 OF 2



55091 series  
53625 series  
53647 series  
53649 series  
53627 series  
Plug

52885 series  
52901 series  
Receptacle

嵌合高さ一覧 Stacking Height variation			
	6	52885 series	55091 series
	7		53625 series
○	8		53647 series
	9		53649 series
	10		53627 series
	12	52901 series	55091 series
	13		53625 series
○	14		53647 series
	15		53649 series
	16		53627 series
本図製品該当高さ Height Application	嵌合高さ E Stacking Height	リセプタクル Receptacle	プラグ Plug

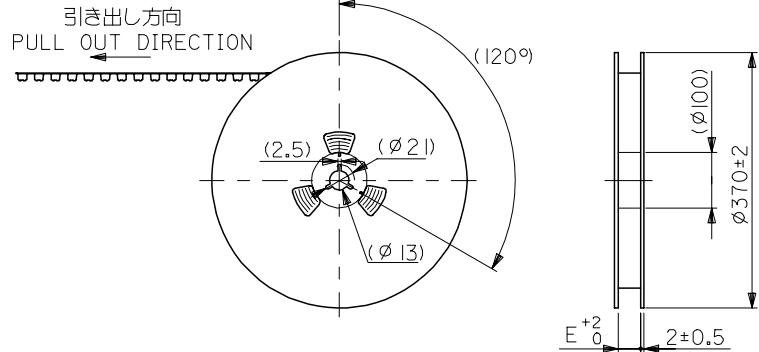
GENERAL TOLERANCES (UNLESS SPECIFIED)		THIS DRAWING CONTAINS INFORMATION THAT IS PROPRIETARY TO MOLEX ELECTRONIC TECHNOLOGIES, LLC AND SHOULD NOT BE USED WITHOUT WRITTEN PERMISSION	
10 UNDER	± 0.2	DIMENSION UNITS	SCALE
10 OVER 30 UNDER	± 0.25	mm	-
30 OVER	± 0.3	CURRENT REV DESC:	
ANGULAR	± 3 °	EC NO: 612735	
DRAFT WHERE APPLICABLE MUST REMAIN WITHIN DIMENSIONS		DRWN: GSHARMA 2019/02/26	
		CHK'D: MSASAO 2019/02/26	
		APPR: MSASAO 2019/02/26	
		INITIAL REVISION:	
		DRWN: YWADA 2004/03/23	
		APPR: MSASAO 2004/03/24	
		THIRD ANGLE PROJECTION	DRAWING
			A3-SIZE
		SERIES	MATERIAL NUMBER
		53647	SEE CHART
		CUSTOMER	SHEET NUMBER
		GENERAL MARKET	2 OF 2

**molex**

0.635 PITCH B-TO-B  
PLUG HS'G COVER ASS'Y -LEAD FREE-

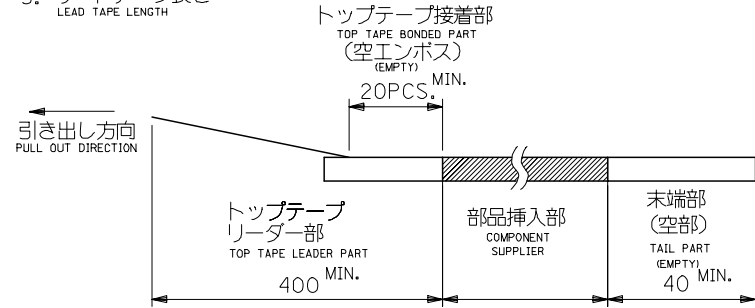
PRODUCT CUSTOMER DRAWING

DOCUMENT NUMBER: SD-53647-002  
DOC TYPE: PSD  
DOC PART: 001  
REVISION: H1

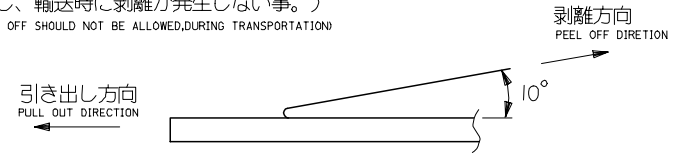


注)  
NOTES

- 製品番号 53647-1609 の詳細寸法については、製品単体図面を参照下さい。  
IN THE PACKAGE, PART NO. 53647-1609 DETAILED DIMENSIONS, SEE PRODUCT DRAWING.
- 梱包数量 : 750 個/リール  
NUMBER OF CONNECTORS : 750 PCS/REEL
- リードテープ長さ  
LEAD TAPE LENGTH



- トップテープの剥離強度 (剥離方向は下図参照)  
PEELING OFF FORCE OF TOP TAPE (PEELING DIRECTION AS SHOWN IN FOLLOWING FIG.)  
0.1~1.3N {10~130gf}  
尚、本規格値は、出荷時に適用。  
THIS REQUIREMENT SHOULD BE APPLIED AT SHIPMENT  
(但し、輸送時に剥離が発生しない事。)  
(PEEL OFF SHOULD NOT BE ALLOWED DURING TRANSPORTATION)



- 材料  
MATERIAL  
キャリアテープ : ポリプロピレン (PP)  
CARRIER TAPE : POLYPROPYLENE (PP)  
トップテープ : PET, PE, PEF  
TOP TAPE : PET, PE, PEF  
リール : 紙  
REEL : CARD BOARD
- 本製品は 53647-1604 の鉛フリー品である。  
THIS PRODUCT IS LEAD FREE OF 53647-1604.

53647-1674	MODEL NO.
DESIGN UNITS	THIRD ANGLE PROJECTION
METRIC	

RELEASED EC NO: J2005-3695 DRWN: MABE I 2005/06/13 CHKD: K TOYODA 2005/06/14 APPR: NUKITA 2005/06/21	GENERAL TOLERANCES (UNLESS SPECIFIED)		DIMENSION STYLE MM ONLY		SCALE ---	53647-1609 TAPING PACKAGE -LEAD FREE-	
	10 UNDER	± ---	DRAWN BY M. NABE I	DATE '05/06/10	TITLE		
	10 OVER 30 UNDER	± ---	CHECKED BY K. TOYODA	DATE '05/06/10	MOLEX INCORPORATED		
	30 OVER	± ---	APPROVED BY N. UKITA	DATE '05/06/10	DOCUMENT NO. SD-53647-005		
0	ANGULAR ± --- °	DRAFT WHERE APPLICABLE MUST REMAIN WITHIN DIMENSIONS		MATERIAL NO. SEE CHART		SHEET NO. 1 OF 2	
SIZE A3 THIS DRAWING CONTAINS INFORMATION THAT IS PROPRIETARY TO MOLEX INCORPORATED AND SHOULD NOT BE USED WITHOUT WRITTEN PERMISSION							

10 9 8 7 6 5 4 3 2 1

F  
E  
D  
C  
B  
A

F  
E  
D  
C  
B  
A

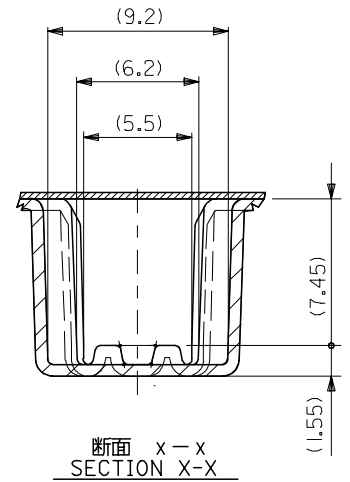
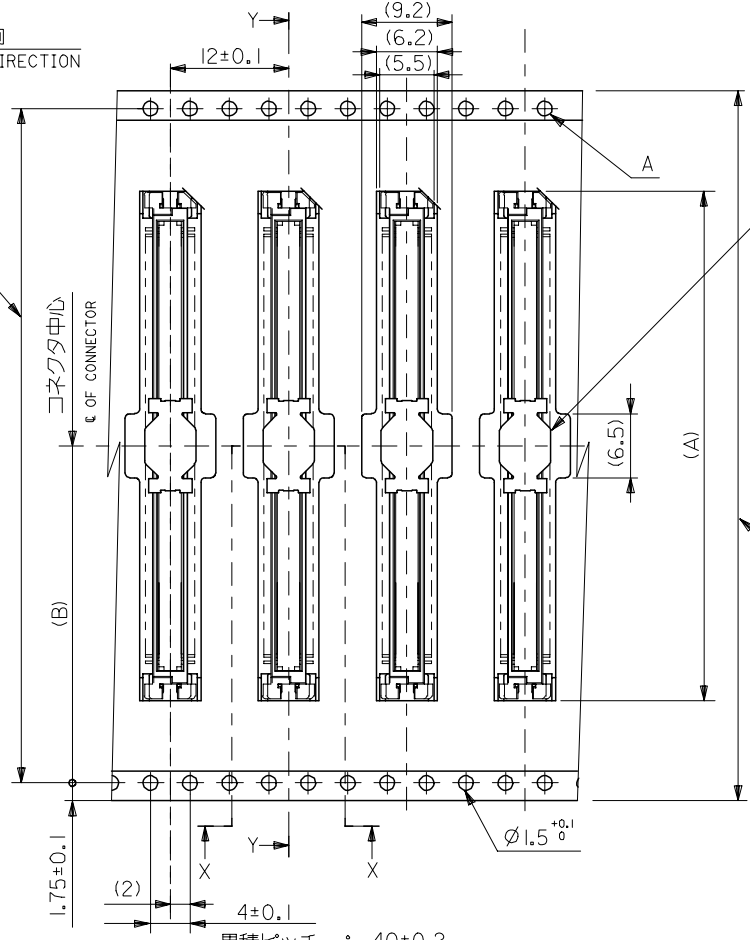
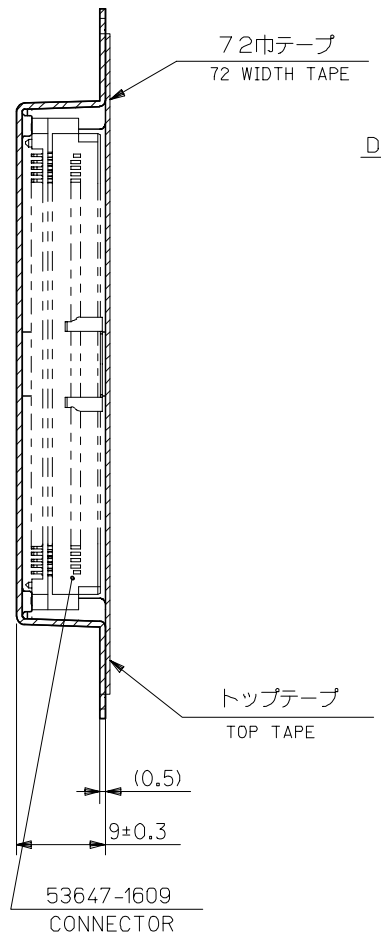
引き出し方向  
PULL OUT DIRECTION

72巾テープ  
72 WIDTH TAPE

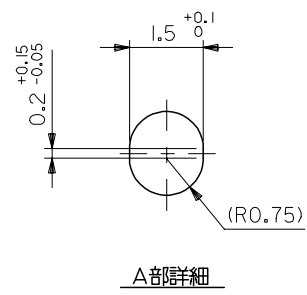
トップテープ  
TOP TAPE

吸着プレート  
PICK-AND-PLACE PLATE

断面 X-X  
SECTION X-X



断面 Y-Y  
SECTION Y-Y



累積ピッチ : 40±0.2  
ACCUMULATIVE PITCH : 40±0.2

72.4	68.4±0.2	72 <sup>+0.3</sup>	(34.2)	58.0	53647-1674	160
E	D	C	キャリアテープ幅 CARRIER TAPE WIDTH	(B)	(A)	極数 NO. OF CXTS.

RELEASED EC NO: J2005-3695 DRAWN: MABEI 2005/06/13 CHK'D: K. TOYODA 2005/06/14 APPR: NUKITA 2005/06/21 REV: 0	GENERAL TOLERANCES (UNLESS SPECIFIED)		DIMENSION STYLE MM ONLY		SCALE ---	DESIGN UNITS METRIC	THIRD ANGLE PROJECTION
	10 UNDER	± ---	DRAWN BY M. NABEI	DATE '05/06/10	TITLE 53647-1609 TAPING PACKAGE -LEAD FREE-		
	10 OVER 30 UNDER	± ---	CHECKED BY K. TOYODA	DATE '05/06/10	MOLEX INCORPORATED		
	30 OVER	± ---	APPROVED BY N. UKITA	DATE '05/06/10	DOCUMENT NO. SD-53647-005	SHEET NO. 2 OF 2	
	ANGULAR	± --- °	MATERIAL NO. SEE CHART				
DRAFT WHERE APPLICABLE MUST REMAIN WITHIN DIMENSIONS		THIS DRAWING CONTAINS INFORMATION THAT IS PROPRIETARY TO MOLEX INCORPORATED AND SHOULD NOT BE USED WITHOUT WRITTEN PERMISSION					