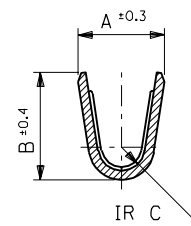
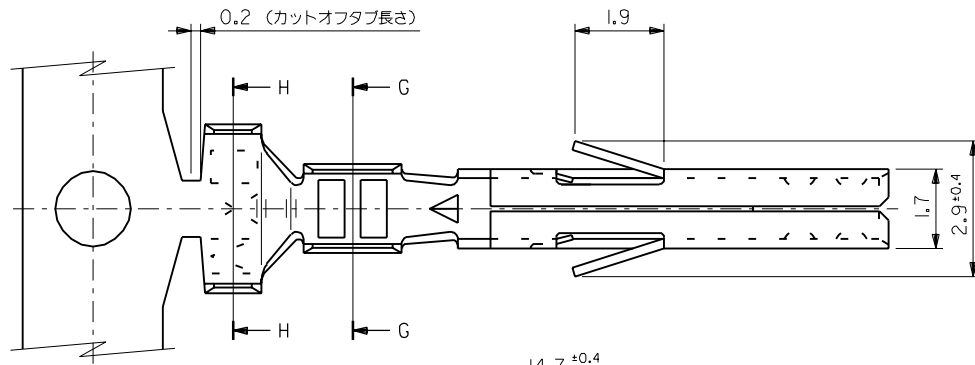
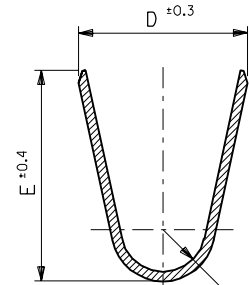


EDP NO. 39-00-00** ENG. NO. SD-5556****

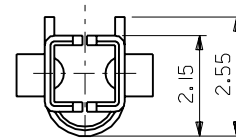
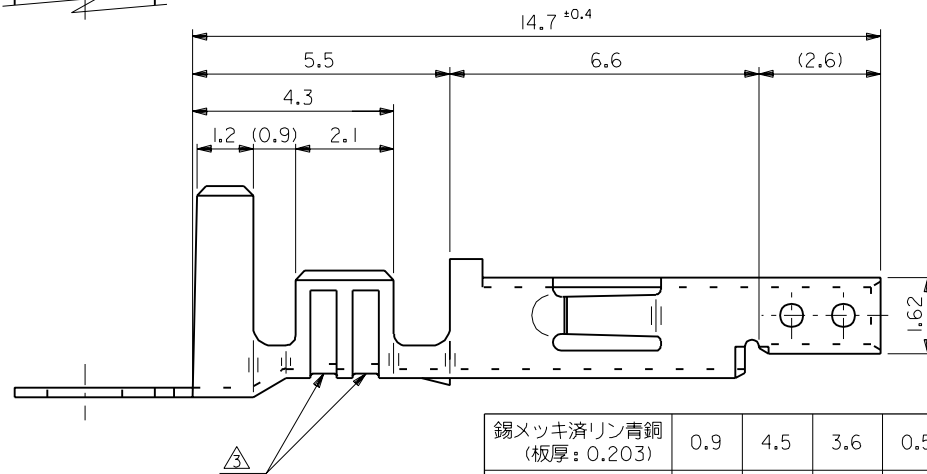
MM DIMENSIONS IN METRIC DO NOT SCALE DRAWING



SECT. G-G



SECT. H-H



| | | | | | | | | | | | |
|--------------------------|--------|------|-----|-----|------|-----|-----------|--------|------------|-----------|------|
| 錫メッキ済リン青銅 (板厚: 0.203) | 0.9 | 4.5 | 3.6 | 0.5 | 2.3 | 1.9 | ∅ 1.3-3.1 | #18-24 | 39-00-0060 | 5556 PBTL | バラ状 |
| 錫メッキ済黄銅 (板厚: 0.203) | 0.6 | 2.3 | 2.3 | 0.4 | 1.65 | 1.8 | ∅ 0.9-1.8 | #22-28 | ↑ -0059 | ↑ PBT | 連鎖状 |
| | 0.9 | 4.5 | 3.6 | 0.5 | 2.3 | 1.9 | ∅ 1.3-3.1 | #18-24 | ↓ -0047 | ↓ T2L | バラ状 |
| | | | | | | | | | ↓ -0046 | ↓ T2 | 連鎖状 |
| 39-00-0038 | 5556 T | ↓ TL | バラ状 | | | | | | | | |
| 材料 | F | E | D | C | B | A | 被覆外径 | 適用電線 | EDP NO. | ENG. NO. | 端子形状 |

注記

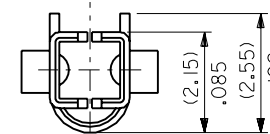
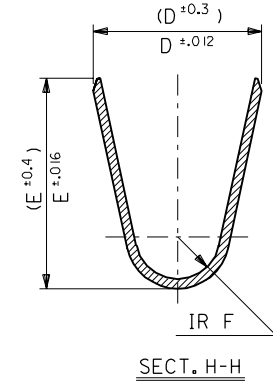
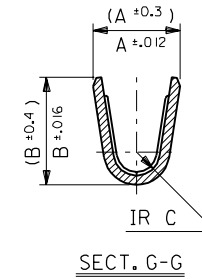
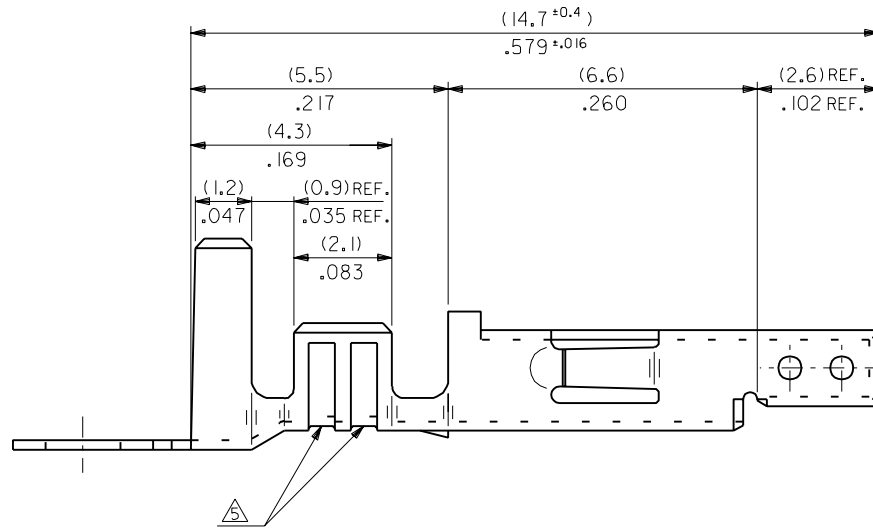
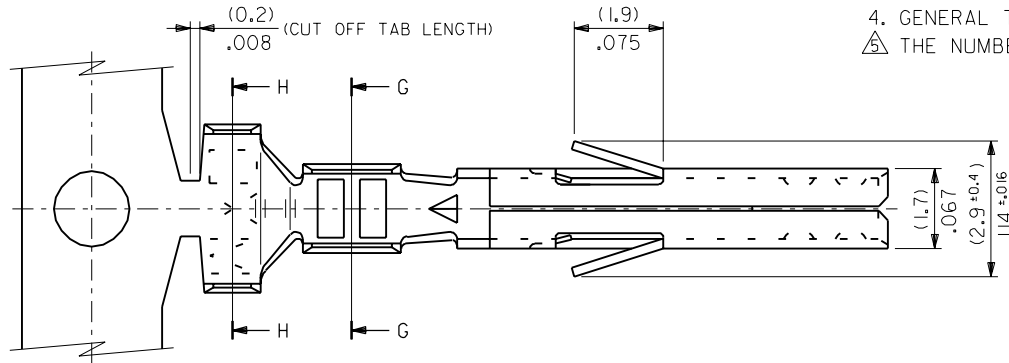
- 適合ハウジング: 5557 シリーズ
- 嵌合相手: 5558, 5566, 5569 シリーズ
- 適用電線が #22-28 の製品のセレーション数は 1 とする。

| | | | | | |
|-------------------------------|-------|---------------------------------|------------------------|--|----|
| 材料 MATERIAL | | 表参照 | | MOLLEX MOLEX-JAPAN CO.,LTD. 日本モレックス株式会社 | |
| 仕上げ FINISH | | —H— | | EDP. NO. 39-00-00** | |
| 適用電線範囲 WIRE RANGE | | 表参照 | | ENG. NO. SD-5556**** | |
| 被覆外径 INS. RANGE | | 表参照 | | REV G | |
| DRAWN BY '91/5/18 H.HIRAMOTO | | CHK'D BY '98/11/9 K.I.S.KUNISHI | | TITLE 名称 NEW MINI.FIT CONN. CRIMP RECEPTACLE | |
| APP'D BY '98/11/9 M.FUKUSHIMA | | 尺 度 SCALE 10 - 1 | | | |
| 角度 ANGLE | ±3° | F 変更 | (JC90279) Y.K '98/11/6 | | |
| 30 以上 OVER | +0.3 | E 変更 | (JC90012) Y.K '98/7/6 | | |
| 10 以上 30 未満 OVER UNDER | +0.25 | D 変更&再作図 | (J10380) H.H '98/5/6 | | |
| 10 未満 UNDER | +0.2 | 記号 LTR | 変更内容 REVISION RECORD | DR. DATE | 日付 |
| 一般公差 GENERAL TOLERANCES | | REVISE ONLY ON CAD SYSTEM | | | |

8 7 6 5 4 3 2 1

NOTES

1. APPLICABLE HOUSING : 5557 SERIES.
 2. MATES WITH TERMINAL : 5558, 5566, 5569 SERIES.
 3. (METRIC) VALUES SHOWN GOVERN OVER ENGLISH CONVERSION VALUES.
 4. GENERAL TOLERANCES OF ENGLISH CONVERSION VALUES : ±.008 INCH.
- △ THE NUMBER OF SERRATIONS TO BE ONE FOR WIRE RANGE #22-28.



| | | | | |
|-----------------------------|---------------------------|---------------------------|---|---|
| 材料 MATERIAL | | SEE SHEET 2 OF 2 | molex MOLEX-JAPAN CO.,LTD. 日本モレックス株式会社 | |
| J | REVISD (JC90279) | Y.K S.K | 98/11/6 | 仕上げ FINISH SEE SHEET 2 OF 2 |
| H | REVISD (JC90012) | Y.K S.K | 98/7/6 | 適用電線範囲 WIRE RANGE SEE SHEET 2 OF 2 |
| G | REVISD (JC80619) | Y.K S.K | 98/5/6 | 被覆外径 INS. RANGE SEE SHEET 2 OF 2 |
| F | REVISD & REDRAWN (J1038D) | H.H S.K | 91/6/25 | |
| 記号 LTR 変更内容 REVISION RECORD | | DR. CHK. | 日付 DATE | DRAWN BY 91/5/18 H.HIRAMOTO CHK'D BY 98/11/9 K.T S.KUNISHI APP'D BY 98/11/9 M.FUKUSHIMA |
| 角度 ANGLE | | ±3° | | |
| 30 以上 OVER | | ±0.3 | | |
| 10 以上 30 未満 UNDER | | ±0.25 | | |
| 10 未満 UNDER | | ±0.2 | | |
| 一般公差 GENERAL TOLERANCES | | REVISE ONLY ON CAD SYSTEM | | |

EDP. NO. SEE SHEET 2 OF 2
ENG. NO. SHEET 1 OF 2 REV J
SD-5556****

TITLE 名称
NEW MINI. FIT CONN.
CRIMP RECEPTACLE

THIS DRAWING CONTAINS INFORMATION THAT IS PROPRIETARY TO MOLEX(JAPAN) AND SHOULD NOT BE USED WITHOUT WRITTEN PERMISSION
本図面は日本モレックス(株)の所有する情報を含むもので 当社の許可なく複製を禁止する。

ENC. NO SHEET 2 OF 2
SD-5556*****

EDP NO. SEE CHART

MM DIMENSIONS IN METRIC DO NOT SCALE DRAWING

8 7 6 5 4 3 2 1

F
E
D
C
B

| MATERIAL | F | E | D | C | B | A | INS. RANGE | WIRE RANGE | EDP NO. | ENG. NO. | FORM |
|--|---------------|---------------|---------------|---------------|----------------|---------------|--------------------------|------------|------------|------------|-------|
| TIN OVER NICKEL PLATED PHOSPHOR BRONZE | (0.9) .035 | (4.5) .177 | (3.6) .142 | (0.6) .024 | (2.7) .106 | (2.3) .091 | ∅ (3.1) .122 MAX. | # 16 | 39-00-0119 | 5556 PBS3L | LOOSE |
| | (0.6) .024 | (2.3) .091 | (2.3) .091 | (0.4) .016 | (1.65) .065 | (1.8) .071 | ∅ (0.9-1.8) .035-.071 | #22-28 | ▲ -0118 | ▲ PBS3 | CHAIN |
| | (0.9) .035 | (4.5) .177 | (3.6) .142 | (0.5) .020 | (2.3) .091 | (1.9) .075 | ∅ (1.3-3.1) .051-.122 | # 18-24 | -0117 | PBS2L | LOOSE |
| | (0.6) .024 | (2.3) .091 | (2.3) .091 | (0.4) .016 | (1.65) .065 | (1.8) .071 | ∅ (0.9-1.8) .035-.071 | #22-28 | -0116 | PBS2 | CHAIN |
| TIN PLATED PHOSPHOR BRONZE | (0.9) .035 | (4.5) .177 | (3.6) .142 | (0.6) .024 | (2.7) .106 | (2.3) .091 | ∅ (3.1) .122 MAX. | # 16 | -0115 | PBSL | LOOSE |
| | (0.6) .024 | (2.3) .091 | (2.3) .091 | (0.4) .016 | (1.65) .065 | (1.8) .071 | ∅ (0.9-1.8) .035-.071 | #22-28 | -0114 | PBS | CHAIN |
| | (0.9) .035 | (4.5) .177 | (3.6) .142 | (0.5) .020 | (2.3) .091 | (1.9) .075 | ∅ (1.3-3.1) .051-.122 | # 18-24 | -0080 | PBT3L | LOOSE |
| | (0.6) .024 | (2.3) .091 | (2.3) .091 | (0.4) .016 | (1.65) .065 | (1.8) .071 | ∅ (0.9-1.8) .035-.071 | #22-28 | -0079 | PBT3 | CHAIN |
| TIN OVER NICKEL PLATED BRASS | (0.9) .035 | (4.5) .177 | (3.6) .142 | (0.6) .024 | (2.7) .106 | (2.3) .091 | ∅ (3.1) .122 MAX. | # 16 | -0066 | PBT2L | LOOSE |
| | (0.6) .024 | (2.3) .091 | (2.3) .091 | (0.4) .016 | (1.65) .065 | (1.8) .071 | ∅ (0.9-1.8) .035-.071 | #22-28 | -0065 | PBT2 | CHAIN |
| | (0.9) .035 | (4.5) .177 | (3.6) .142 | (0.5) .020 | (2.3) .091 | (1.9) .075 | ∅ (1.3-3.1) .051-.122 | # 18-24 | -0060 | PBTL | LOOSE |
| | (0.6) .024 | (2.3) .091 | (2.3) .091 | (0.4) .016 | (1.65) .065 | (1.8) .071 | ∅ (0.9-1.8) .035-.071 | #22-28 | -0059 | PBT | CHAIN |
| TIN OVER COPPER PLATED BRASS | (0.9) .035 | (4.5) .177 | (3.6) .142 | (0.6) .024 | (2.7) .106 | (2.3) .091 | ∅ (3.1) .122 MAX. | # 16 | -0113 | S3L | LOOSE |
| | (0.6) .024 | (2.3) .091 | (2.3) .091 | (0.4) .016 | (1.65) .065 | (1.8) .071 | ∅ (0.9-1.8) .035-.071 | #22-28 | -0112 | S3 | CHAIN |
| | (0.9) .035 | (4.5) .177 | (3.6) .142 | (0.5) .020 | (2.3) .091 | (1.9) .075 | ∅ (1.3-3.1) .051-.122 | # 18-24 | -0111 | S2L | LOOSE |
| | (0.6) .024 | (2.3) .091 | (2.3) .091 | (0.4) .016 | (1.65) .065 | (1.8) .071 | ∅ (0.9-1.8) .035-.071 | #22-28 | -0110 | S2 | CHAIN |
| MATERIAL | (0.9) .035 | (4.5) .177 | (3.6) .142 | (0.6) .024 | (2.7) .106 | (2.3) .091 | ∅ (3.1) .122 MAX. | # 16 | -0109 | SL | LOOSE |
| | (0.6) .024 | (2.3) .091 | (2.3) .091 | (0.4) .016 | (1.65) .065 | (1.8) .071 | ∅ (0.9-1.8) .035-.071 | #22-28 | -0108 | S | CHAIN |
| | (0.9) .035 | (4.5) .177 | (3.6) .142 | (0.5) .020 | (2.3) .091 | (1.9) .075 | ∅ (1.3-3.1) .051-.122 | # 18-24 | -0078 | T3L | LOOSE |
| | (0.6) .024 | (2.3) .091 | (2.3) .091 | (0.4) .016 | (1.65) .065 | (1.8) .071 | ∅ (0.9-1.8) .035-.071 | #22-28 | -0077 | T3 | CHAIN |
| MATERIAL | (0.9) .035 | (4.5) .177 | (3.6) .142 | (0.6) .024 | (2.7) .106 | (2.3) .091 | ∅ (3.1) .122 MAX. | # 16 | -0047 | T2L | LOOSE |
| | (0.6) .024 | (2.3) .091 | (2.3) .091 | (0.4) .016 | (1.65) .065 | (1.8) .071 | ∅ (0.9-1.8) .035-.071 | #22-28 | -0046 | T2 | CHAIN |
| | (0.9) .035 | (4.5) .177 | (3.6) .142 | (0.5) .020 | (2.3) .091 | (1.9) .075 | ∅ (1.3-3.1) .051-.122 | # 18-24 | ▼ -0039 | ▼ TL | LOOSE |
| | (0.6) .024 | (2.3) .091 | (2.3) .091 | (0.4) .016 | (1.65) .065 | (1.8) .071 | ∅ (0.9-1.8) .035-.071 | #22-28 | 39-00-0038 | 5556 T | CHAIN |

| | | | |
|-------------------------------|--|---------------------------------|---|
| 材料 MATERIAL | | SEE CHART | moLEX MOLEX-JAPAN CO.,LTD. 日本モレックス株式会社 |
| THICKNESS : (0.203)/.008 | | | |
| 仕上げ FINISH | | SEE CHART | EDP. NO. |
| 適用電線範囲 WIRE RANGE | | SEE CHART | SEE CHART |
| 被覆外径 INS. RANGE | | SEE CHART | ENG. NO. SHEET 2 OF 2 REV |
| DRAWN BY 9/15/18 H.HIRAMOTO | | CHK'D BY 98/11/9 K.T. S.KUNISHI | SD-5556***** J |
| APPR'D BY 98/11/9 M.FUKUSHIMA | | 尺度 SCALE 10 - 1 | TITLE 名称 NEW MINI. FIT CONN. CRIMP RECEPTACLE |

| | | | |
|-------------------------|-------|-----------------------------|-----------------|
| 角度 ANGLE | +3° | J SEE SHEET 1 OF 2 | Y.K S.K 98/11/6 |
| 30 以上 OVER | +0.3 | H SEE SHEET 1 OF 2 | Y.K S.K 98/11/6 |
| 10 以上 30 未満 UNDER | +0.25 | G SEE SHEET 1 OF 2 | Y.K S.K 98/5/6 |
| 10 未満 UNDER | +0.2 | F SEE SHEET 1 OF 2 | H.H 9/16/25 |
| 一般公差 GENERAL TOLERANCES | | 記号 LTR 変更内容 REVISION RECORD | DR. CHK. DATE |

THIS DRAWING CONTAINS INFORMATION THAT IS PROPRIETARY TO MOLEX(JAPAN) AND SHOULD NOT BE USED WITHOUT WRITTEN PERMISSION
本図面は日本モレックス(株)の所有する情報を含むもので 当社の許可なく複製を禁止する。 MXJ-8

5556.S32