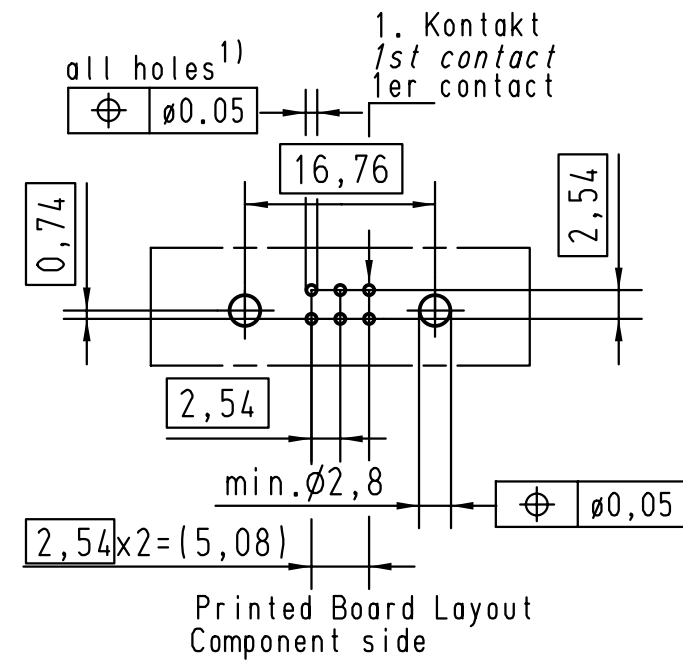
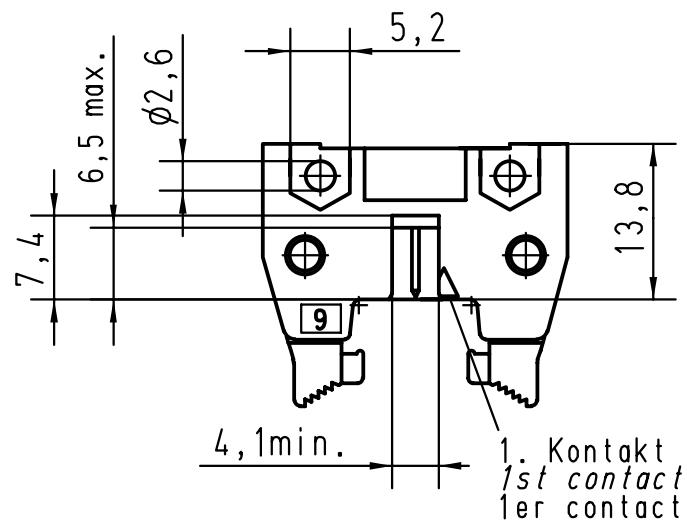
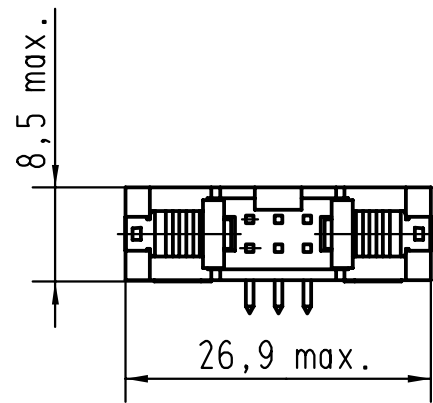
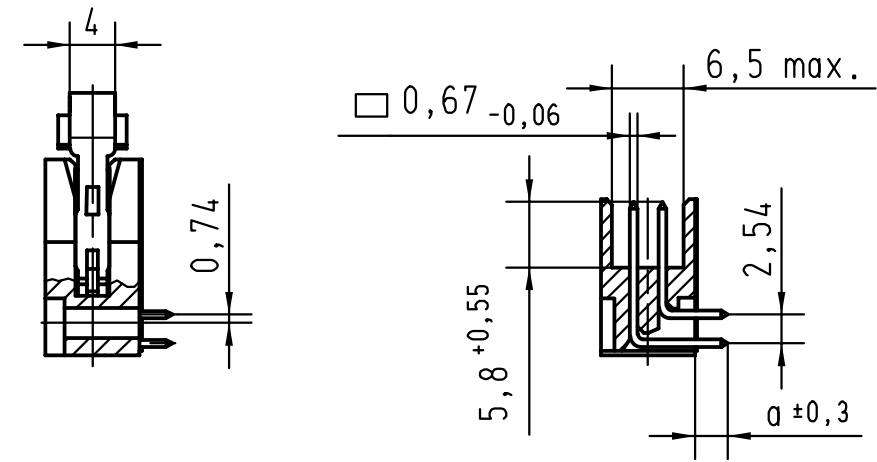
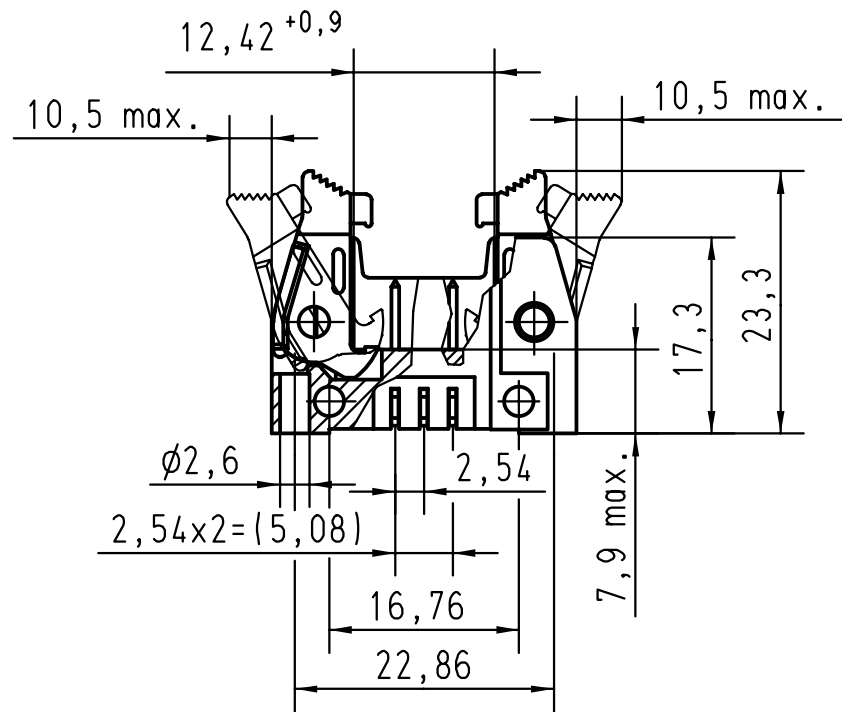


Alle Rechte vorbehalten/ All rights reserved



1) Einlötlötstifte passend für Lochungen
 $\phi 1 \pm 0.1$ nach IEC 60326-3
 Solder pins for PCB connections
 $\phi 1 \pm 0.1$ as per IEC 60326-3
 A souder pour des trous de $\phi 1 \pm 0.1$
 selon IEC 60326-3

| | | | | | | | | | |
|--------------------------------------|---|-----|--|---|-------------------|------|-------------------------------|---|------------------------|
| 09185067911 | 3 | 4,5 | | All Dimensions in mm Original Size DIN A 3 | Techn. Character. | | | Nicht tolerierte Maßel / Free size tolerances | |
| 09185066911 | 2 | 4,5 | | | | | | | |
| 09185065911 | 0,76 $\mu\text{m Au}$ | 4,5 | | | | | | | |
| 09185067913 | 3 | 2,9 | | | | | | | |
| 09185066913 | 2 | 2,9 | | 29753 | 11-MAR-02 | JB | Detail. | 01-DEC-99 | Th |
| 09185065913 | 0,76 $\mu\text{m Au}$ | 2,9 | | 29739 | 03-DEC-01 | JB | Insp. | 03-DEC-01 | JMV |
| | | | | 27931 | 15-JUNE-00 | JB | Stand. | | |
| Bestell-Nr. Part-No. Reference | Anforderungsstufe performance level Niveau de qualite | a | | 26554 | 01-DEC-99 | JB | HARTING EURL F-95972 Paris | | TB 0918506x91x Sub. |
| | | | | Mod. | Dat. | Name | | | |