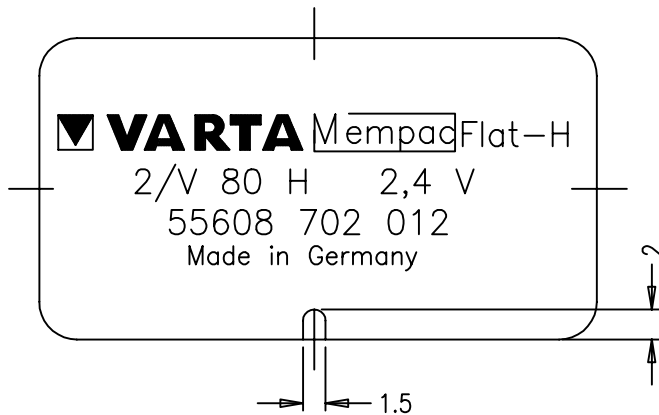
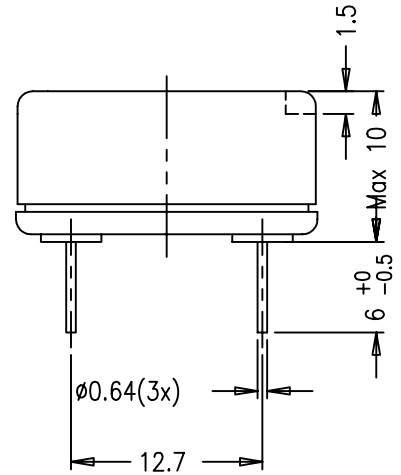
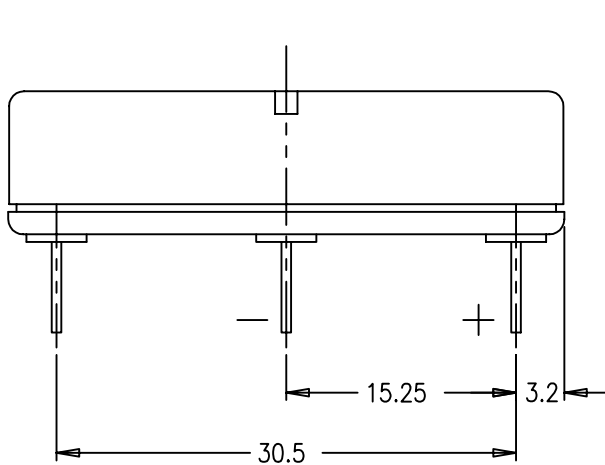
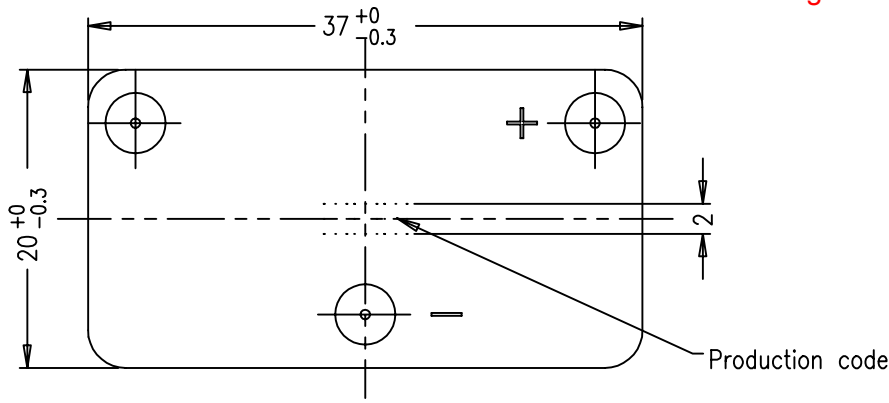


This is a controlled document.
 Hardcopy to be endorsed by authorized person.
 Check with Issuing Office or SAP system for latest update.

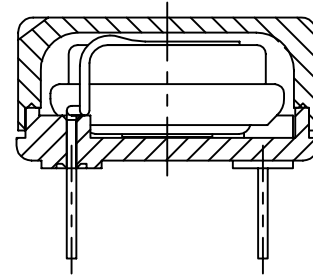
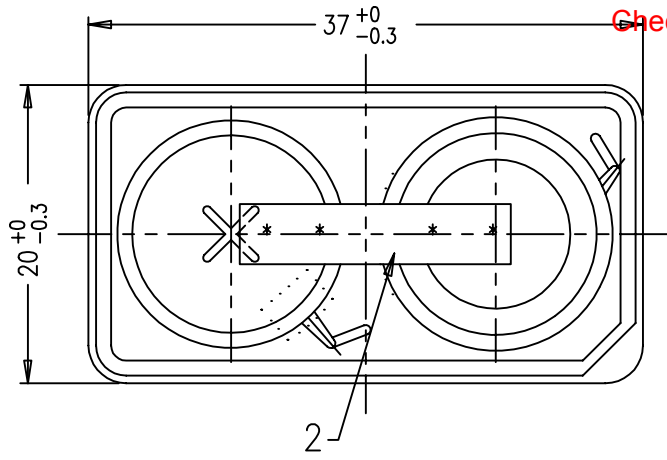


No.	Alterations:	Date:	Name:	Dimensions in mm	Material:
				Tolerance: DIN 7168 Medium	Description: 2/V80H battery "Mempac Flat-H"
				Projection:	
				Scale: 2 : 1	
				Date: 1998-04-03 Name: Titus WS	
				Prepared: 2000- Approved:	
RIGHTS RESERVED TO MAKE TECHNICAL CHANGES, AS A RESULT OF FURTHER DEVELOPMENT, WITHOUT NOTICE . THIS DRAWING IS THE PROPERTY OF VARTA BATTERIES PTE LTD AND MUST NOT BE COPIED OR DISCLOSED TO A THIRD PARTY WITHOUT THE WRITTEN CONSENT OF VARTA BATTERIES PTE LTD.					Dwg. No: 071105 (sheet 1 of 2) 400
					VKB Order No: 55608 702 012
Distribution: 0, 1, 1.1, 2, 2.1, 2.2, 3, 3.1, 3.1.1, 3.2, 3.3, 3.4, 4 .					Orig No:

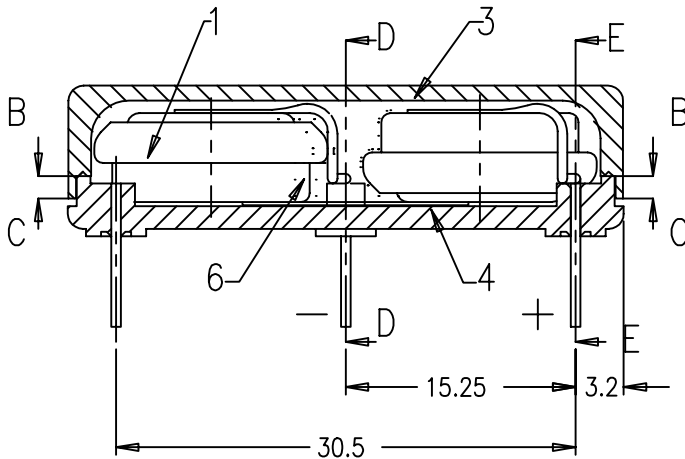
This is a controlled document.

Hardcopy to be endorsed by authorized person.

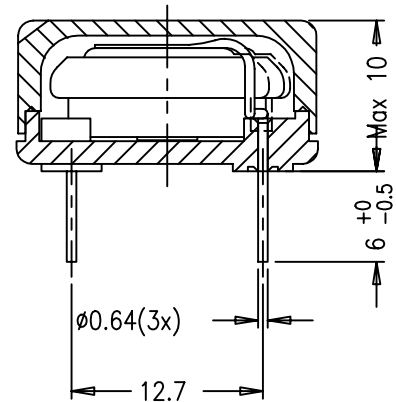
Check with Issuing Office or SAP system for latest update.



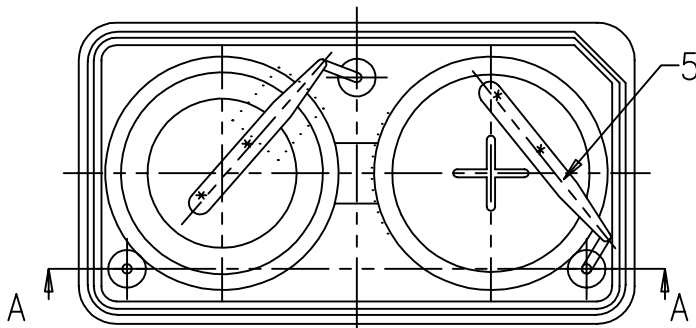
Section EE



Section AA



Section DD



Section BB

No.	Alterations:	Date:	Name:	Dimensions in mm	Material:
				Tolerance: DIN 7168 Medium	Refer to part list no: 071105
				Projection:	Description: 2/V80H battery "Mempac Flat-H" "Cross-section"
				Scale: 2 : 1	
				Date: 1998-04-03 Name: Titis WS	
				Prepared: 2000- Approved:	
RIGHTS RESERVED TO MAKE TECHNICAL CHANGES, AS A RESULT OF FURTHER DEVELOPMENT, WITHOUT NOTICE. THIS DRAWING IS THE PROPERTY OF VARTA BATTERIES PTE LTD AND MUST NOT BE COPIED OR DISCLOSED TO A THIRD PARTY WITHOUT THE WRITTEN CONSENT OF VARTA BATTERIES PTE LTD.					Dwg. No: 071105 (sheet 2 of 2) 400
					VKB Order No:
Distribution: 0, 1, 1.1, 2, 2.1, 2.2, 3, 3.1, 3.1.1, 3.2, 3.3, 3.4, 4.					Orig No: