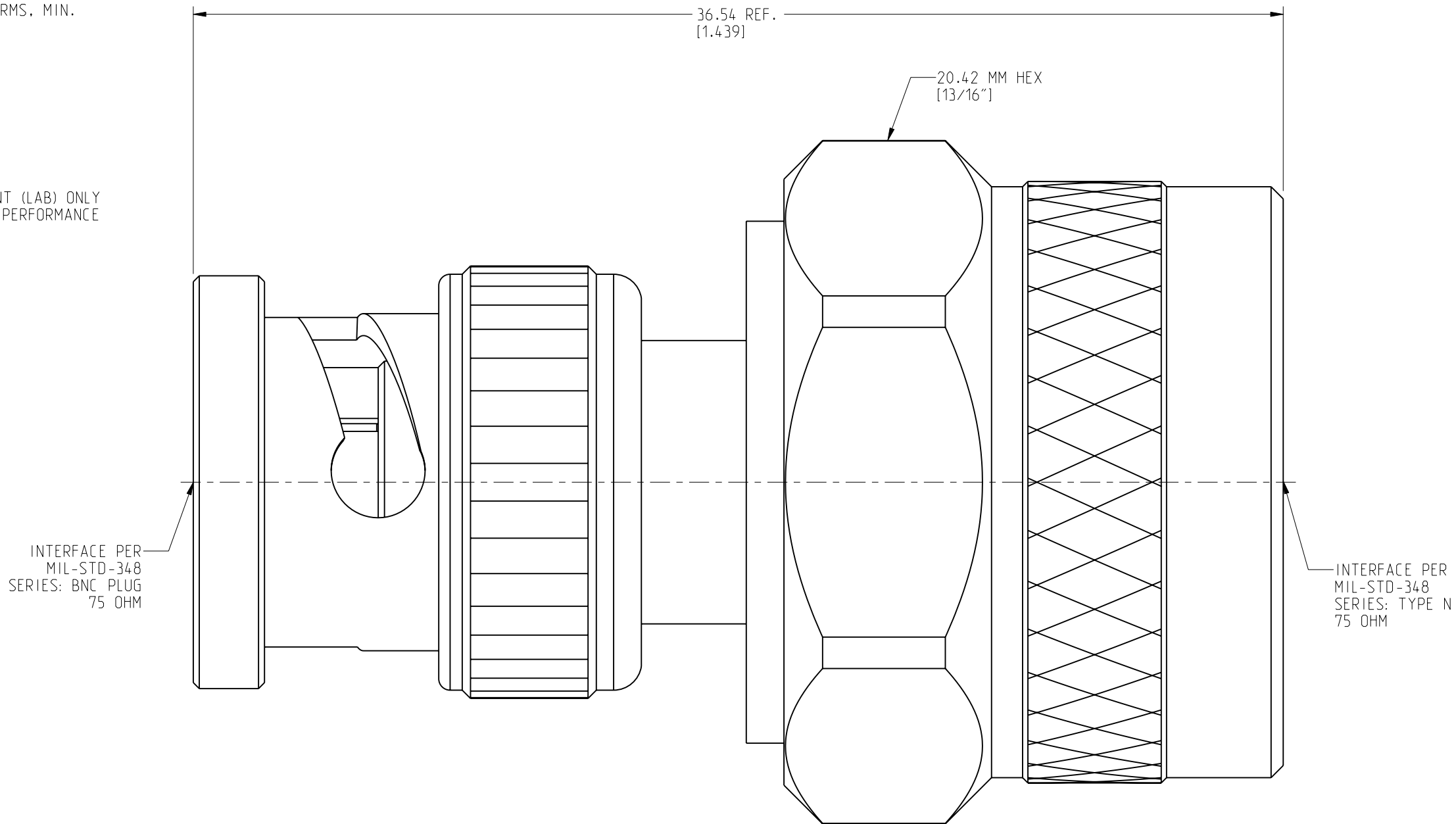
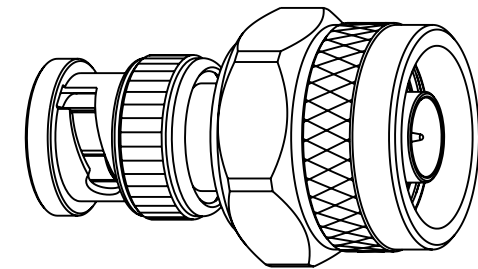


NOTES:

- MATERIALS AND FINISHES:
 BODY, COUPLING NUT, WASHER
 SHELL & RETAINING RING AT BNC SIDE - BRASS, NICKEL PLATING
 RETAINING RING AT TYPE N SIDE - SUS 304, NATURAL
 SPRING - BeCu, NICKEL PLATING
 CONTACT - PHOSPHOR BRONZE, GOLD PLATING
 INSULATOR - PTFE, NATURAL
- ELECTRICAL:
 A. IMPEDANCE: 75 OHM
 B. FREQUENCY RANGE: DC - 12 GHz
 C. VSWR(RETURN LOSS): -20 dB MIN @ DC - 6 GHz
 -15 dB MIN @ 6 - 12 GHz
 D. DIELECTRIC WITHSTANDING VOLTAGE: 500 VRMS, MIN.
- MECHANICAL:
 A. DURABILITY: 500 CYCLES MIN.
 B. TEMPERATURE RANGE: -40°C TO +85°C
- PACKAGING:
 A. QUANTITY: SINGLE PACK
 B. MARKING: PACKAGING TO BE MARKED
 "AMPHENOL RF, AD-NPBNCP-1 & DATE CODE"
- INTENDED FOR USE IN A CONTROLLED ENVIRONMENT (LAB) ONLY
 HIGH SIDE LOADS MAY RESULT IN DEGRADED RF PERFORMANCE

REVISIONS				
REV	DESCRIPTION	DATE	ECN	APPR
A	RELEASE TO MFG.	17-Jun-20	15224	SH



CUSTOMER OUTLINE DRAWING

ALL OTHER SHEETS ARE FOR INTERNAL USE ONLY

NOTICE: These drawings, specifications, or other data (1) are, and remain the property of Amphenol corp. (2) must be returned upon request; and (3) are confidential and not to be disclosed to any person other than those to whom they are given by Amphenol Corp. The furnishing of these drawings, specifications, or other data by Amphenol Corp., or to any other person to anyone for any purpose is not to be regarded by implication or otherwise in any manner licensing, granting rights to permitting such holder or any other person to manufacture, use or sell any product, process or design, patented or otherwise, that may in any way be related to or disclosed by said drawings, specifications, or other data.

UNLESS OTHERWISE SPECIFIED
 DIMENSIONS ARE METRIC (INCHES) AND TOLERANCES ARE:
 <0.5mm = ±0.05mm [$<0.020 = \pm 0.002$]
 >0.5 - 6mm = ±0.1mm [$>0.020 - 0.236 = \pm 0.004$]
 >6.00 - 30mm = ±0.2mm [$>0.236 - 1.181 = \pm 0.008$]
 >30.00 - 120mm = ±0.3mm [$>1.181 - 4.725 = \pm 0.012$]

MATERIAL
 SEE NOTES

ENGINEER
 M.ZHANG

TITLE
 TYPE N PLUG TO BNC
 PLUG TEST ADAPTER
 75 OHM

DATE
 12-Jun-20

Amphenol RF

DRAWING NO. AD-NPBNCP-1
 ITEM NO. AD-NPBNCP-1
 PART NO. AD-NPBNCP-1

SIZE
 B

REVISION
 A

THIRD ANGLE PROJ. REFERENCE -- EAR# 9420

ANGLES = ±1°

SHEET NO. 2 OF 2

SCALE: 6.0:1.0