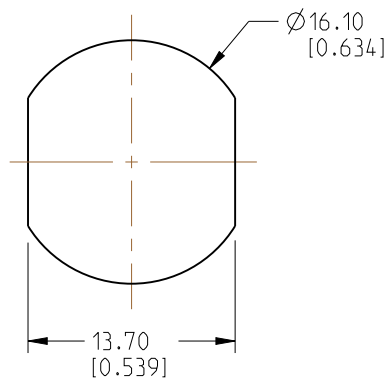


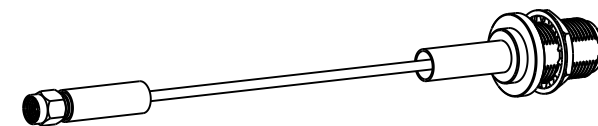
NOTES:

1. MATERIALS AND FINISHES:
SMA STR PLUG - BRASS, GOLD PLATING
N STR BHD JACK - BRASS, WHITE BRONZE PLATING
CABLE - RG 142
2. ELECTRICAL:
A. IMPEDANCE: 50 OHM
3. PACKAGING:
A. QUANTITY: SINGLE PACK
B. MARKING: BAG TO BE MARKED
"AMPHENOL RF, 95-902-530-XXX AND DATE CODE"

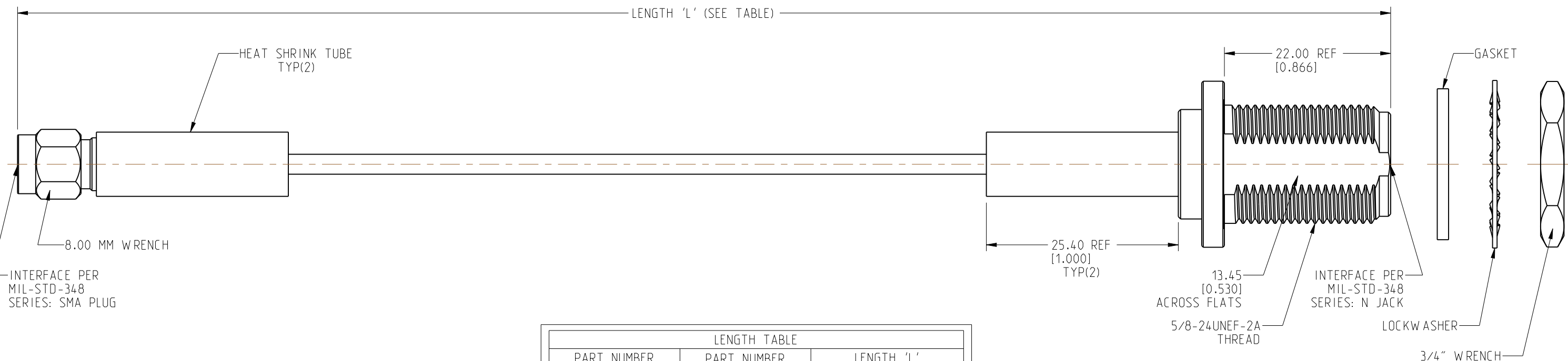


RECOMMENDED MOUNTING HOLE DIMENSIONS

REVISIONS				
REV	DESCRIPTION	DATE	ECN	APPR
A	RELEASE TO MFG.	25-JUN-20	15249	VR



SCALE 0.500



LENGTH TABLE		
PART NUMBER (IMPERIAL)	PART NUMBER (METRIC)	LENGTH 'L' IN INCHES [METERS]
95-902-530-006	-	6.00 [0.152]
95-902-530-012	-	12.00 [0.305]
95-902-530-018	-	18.00 [0.457]
95-902-530-024	-	24.00 [0.610]
95-902-530-036	-	36.00 [0.914]
-	95-902-530M100	39.37 [1.000]
95-902-530-048	-	48.00 [1.219]
95-902-530-072	-	72.00 [1.829]
-	95-902-530M200	78.74 [2.000]
-	95-902-530M300	118.11 [3.000]

TOLERANCE TABLE	
LENGTH IN INCHES/FT [METERS]	TOLERANCE
0" - 23.90" [0 - 0.607]	±0.25" [0.006]
24.00" - 59.00" [0.610 - 1.499]	±0.50" [0.013]
5.0' - 24.9' [1.524 - 7.617]	±2.5%
25.0' & UP [7.620 & UP]	±5.0%

DESIGN REQUIREMENTS:

- | | |
|---|---|
| <input checked="" type="checkbox"/> FREQUENCY: DC - 6 GHz | <input checked="" type="checkbox"/> CONTINUITY |
| <input type="checkbox"/> VSWR: _____ 1 MAX. | <input checked="" type="checkbox"/> HI-POT: 1000 VRMS |
| <input type="checkbox"/> INS. LOSS: _____ dB MAX. | <input type="checkbox"/> OTHER |

CUSTOMER OUTLINE DRAWING
ALL OTHER SHEETS ARE FOR INTERNAL USE ONLY

NOTICE: These drawings, specifications, or other data (1) are, and remain the property of Amphenol corp. (2) must be returned upon request; and (3) are confidential and not to be disclosed to any person other than those to whom they are given by Amphenol Corp. The furnishing of these drawings, specifications, or other data by Amphenol Corp., or to any other person for any purpose is not to be regarded by implication or otherwise in any manner licensing, granting rights to permitting such holder or any other person to manufacture, use or sell any product, process or design, patented or otherwise, that may in any way be related to or disclosed by said drawings, specifications, or other data.

UNLESS OTHERWISE SPECIFIED DIMENSIONS ARE METRIC [INCHES] AND TOLERANCES ARE:
 <0.5mm = ±0.05mm [-0.020 = ±0.002]
 >0.5 - 6mm = ±0.1mm [-0.020 - 0.236 = ±0.004]
 >6.00 - 30mm = ±0.2mm [-0.236 - 1.181 = ±0.008]
 >30.00 - 120mm = ±0.3mm [-1.181 - 4.725 = ±0.012]

MATERIAL
SEE NOTES

TITLE
SMA STR PLUG TO
N STR BHD JACK
USING RG 142 CABLE
VARIOUS LENGTH

Amphenol RF

THIRD ANGLE PROJ. REFERENCE EAR# 9924

ANGLES = ±1°

ENGINEER VIJAY N M

DATE 03-JUN-20

SHEET NO. 2 OF 2 SCALE: 1.9:1.0

SIZE B	DRAWING NO. 95-902-530-XXX	REV A
	ITEM NO. 95-902-530-XXX	
	PART NO. 95-902-530-XXX	