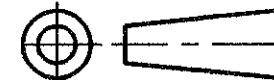


DO NOT SCALE
DIMENSIONS IN mm

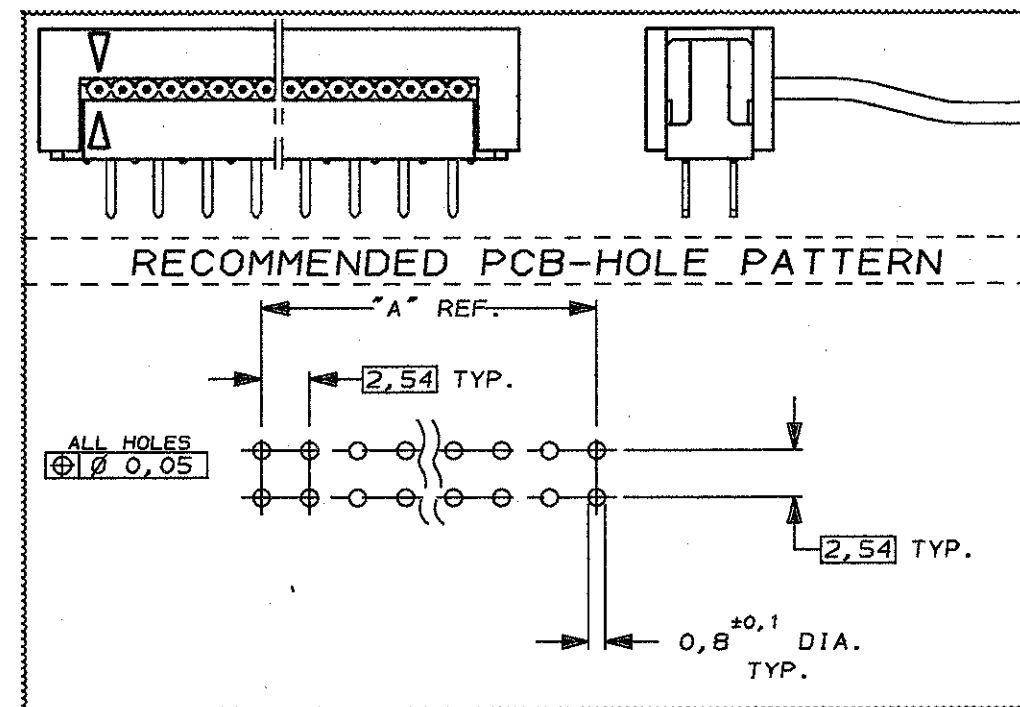
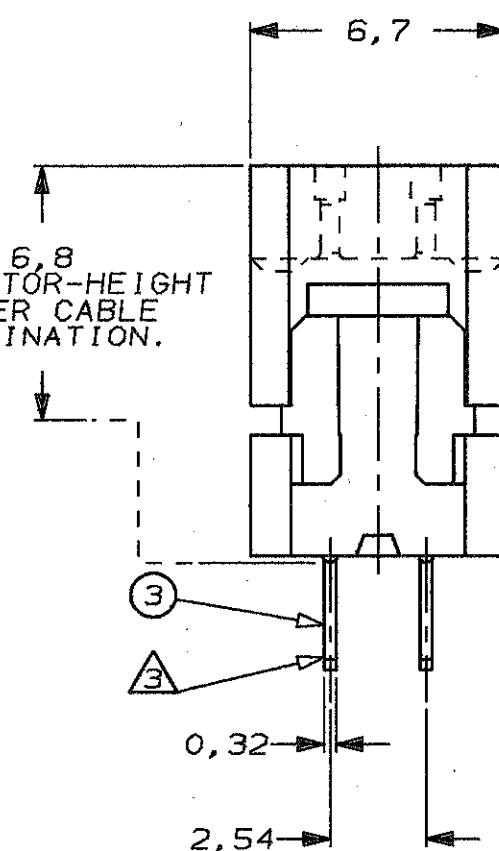
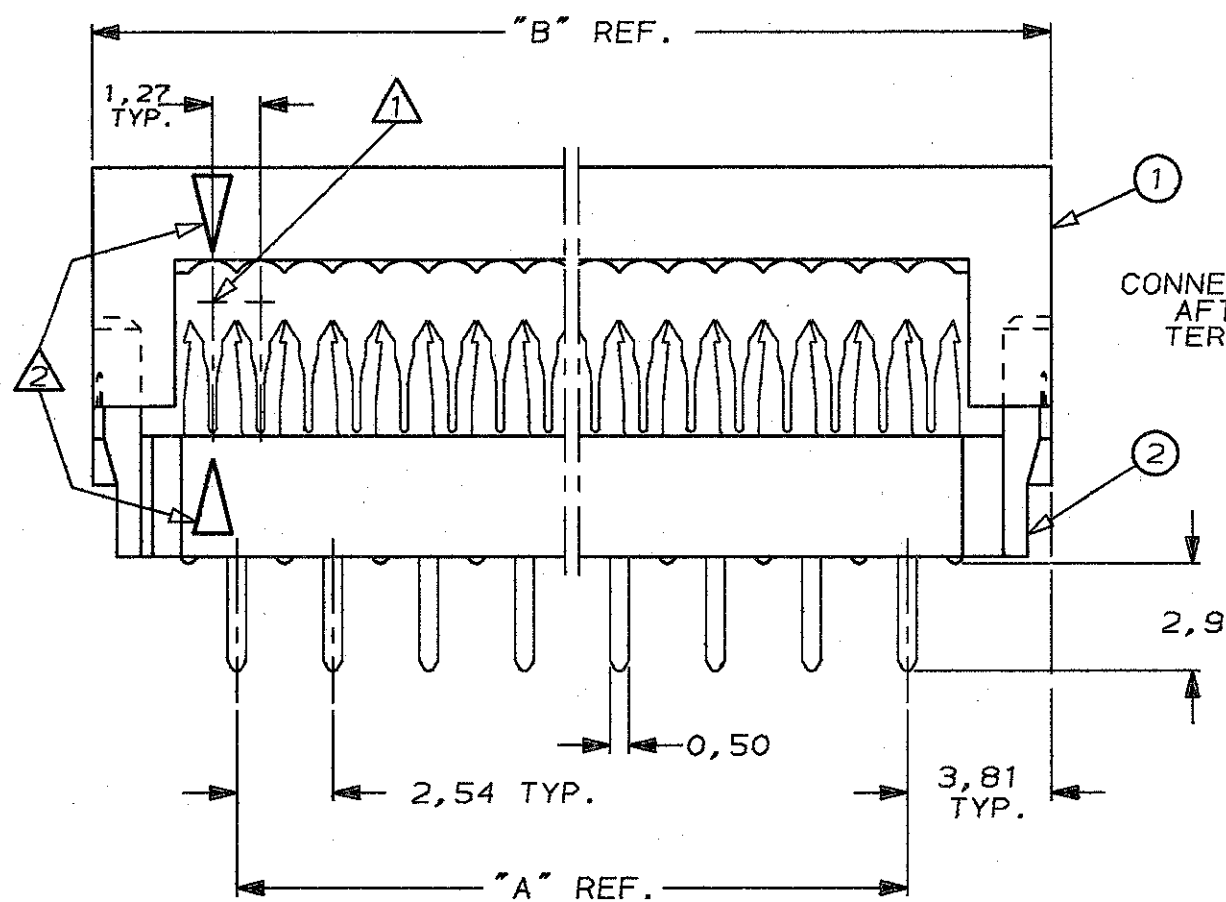
METRIC

THIRD ANGLE
PROJECTION



NOTES:

- ① CONNECTOR IS DESIGNED FOR FLAT RIBBON CABLE ON 1,27 CENTERS. FOR CABLE REQUIREMENTS SEE APPLICATION SPECIFICATION 114-19008.
- ② INDICATION OF FIRST CABLE POSITION REFERRING TO CORRESPONDING CONTACT POSITION.
- ③ SOLDER-TINES FOR 0,8^{±0,1} DIA. HOLES.



86,36	78,74	64	6-216093-4
81,28	73,66	60	6-216093-0
68,58	60,96	50	5-216093-0
60,96	53,34	44	4-216093-4
55,88	48,26	40	4-216093-0
48,26	40,64	34	3-216093-4
38,10	30,48	26	2-216093-6
30,48	22,86	20	2-216093-0
25,40	17,78	16	1-216093-6
22,86	15,24	14	1-216093-4
17,78	10,16	10	1-216093-0
12,70	5,08	6	216093-6
DIM. "B" REF.	DIM. "A" REF.	NR. OF POS.	PARTNUMBER

③ CONTACTS	PHOSPHORBRONZE	2,54μ - 5,08μ TIN.
② HOUSING AND COVER	THERMOPLASTIC POLYESTER	GREY
① HOUSING		
COMPONENT NAME	MATERIAL	PLATING / COLOUR
AMP		AMP-HOLLAND B.V. 's-Hertogenbosch, The Netherlands.
RELEASED FOR PUBLICATION 22-8, 1988		
© COPYRIGHT 1988 BY AMP-HOLLAND B.V. ALL INTERNATIONAL RIGHTS RESERVED. AMP PRODUCTS MAY BE COVERED BY U.S. AND FOREIGN PATENTS AND/OR PATENTS PENDING.		
DR. W.R. VERBEET.	DATE 22-8'88	WIRE RANGE SEE NOTE ①
CHK. R. VERSTIJNEN.	DATE 23-8'88	INSUL. RANGE SEE NOTE ①
APP. L.v SOEST.	DATE 23-8'88	NAME AMP-LATCH 2,54 DIL-PLUG CONNECTOR WITHOUT RETENTION LEGS.
SIZE A3	SHEET 1 OF 1	REV. DATE D M Y 22 05 89
DWG. No. C-216093		REV. LTR. B

8

7

6

5

4

3

2

1