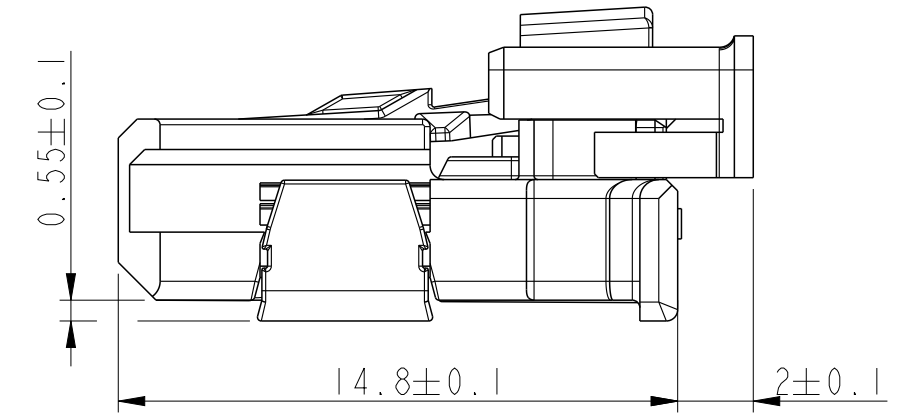
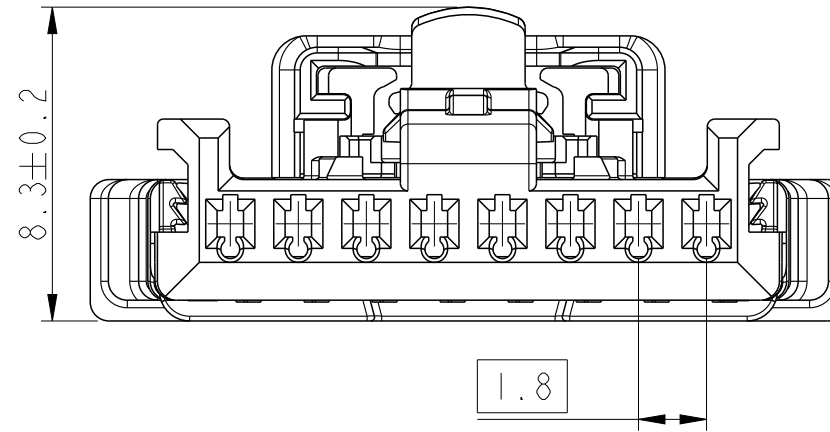


PRODUCT DESCRIPTION CODE :

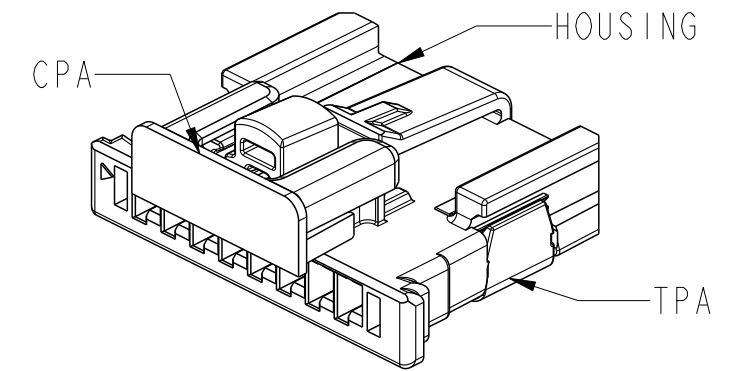
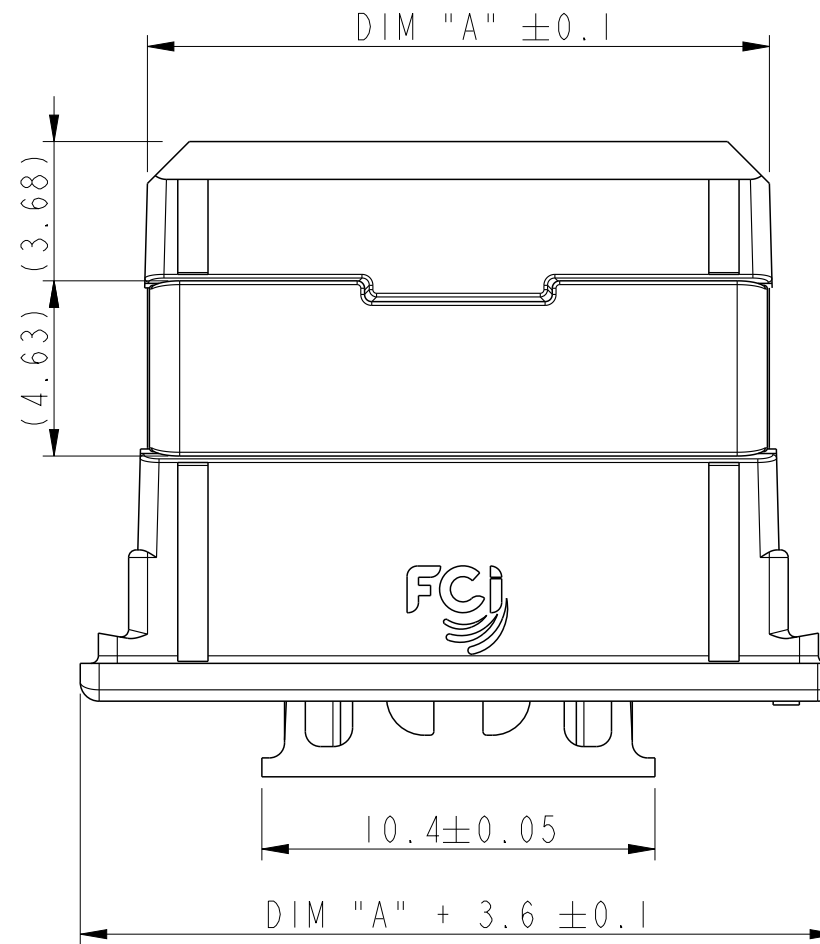
10142961-0XX LF

- R<sub>o</sub>HS COMPATIBLE
- FOR CUSTOMER CODE:  
BLANK = GENERAL USE
- PACKAGING :  
BLANK = BULK
- NUMBER OF POSITIONS : 04 TO 15
- MATERIAL

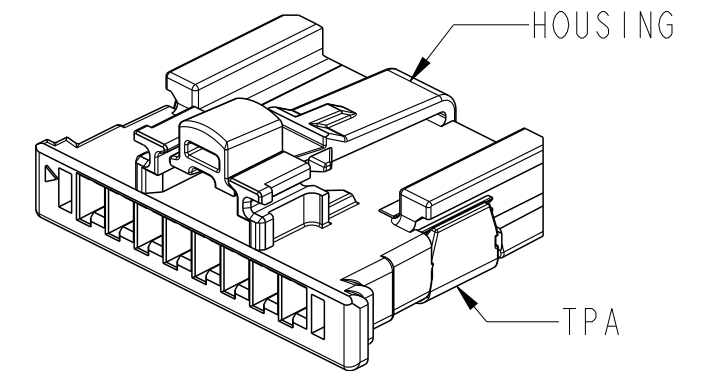


NOTES:

- 1 - MATERIAL:  
HIGH TEMPERATURE THERMOPLASTIC  
COLOR BLACK UL94 V-0
- 2 - FOR USE WITH MINITEK  $\mu$ SPACE CTW TERMINALS :  
AWG 22-24, SERIES 10141272 & 10148496  
AWG 26-30, SERIES 10141272 & 10148496
- 3 - TO BE MATED WITH MINITEK  $\mu$ SPACE HEADERS SERIES  
10142963 / 10143922
- 4 - THE PRODUCT IS NOT INTENDED TO BE EXPOSED TO ANY  
SOLDER PROCESS.
- 5 - R<sub>o</sub>HS COMPATIBLE PRODUCT SPECIFICATIONS
  - a - LABELLING :  
MEETS PACKAGING SPECS AS PER GS-14-920
  - b - LEGAL STATEMENT :  
SEE GS-47-0004.



10142961-0XXLF (WITH CPA)



VERSION WITHOUT CPA : OVER REQUEST  
PRE-LOAD CONFIGURATION : DELIVERED STATUS

spec ref	-	dr	Glass-adm, Mar	2018/11/21	projection	mm	size	A3	scale	5:1
tolerance std	ISO 406 ISO 1101	eng	Cyril Jeune	2019/04/26			ecn no	-	rel level	Released
TOLERANCES UNLESS OTHERWISE SPECIFIED		chr	Hyppias, Arnau	2019/04/26						
surface	linear	appr	Beatrice Vial	2019/04/26	product family		-		-	
ISO 1302	angular			RECEPTACLE ASSEMBLY		dwg no		10142961		rev
				MINITEK $\mu$ SPACE STS 1.8 TOP LATCH						A
		cat. no.		-		Product - Customer Drw		sheet 1 of 3		

1

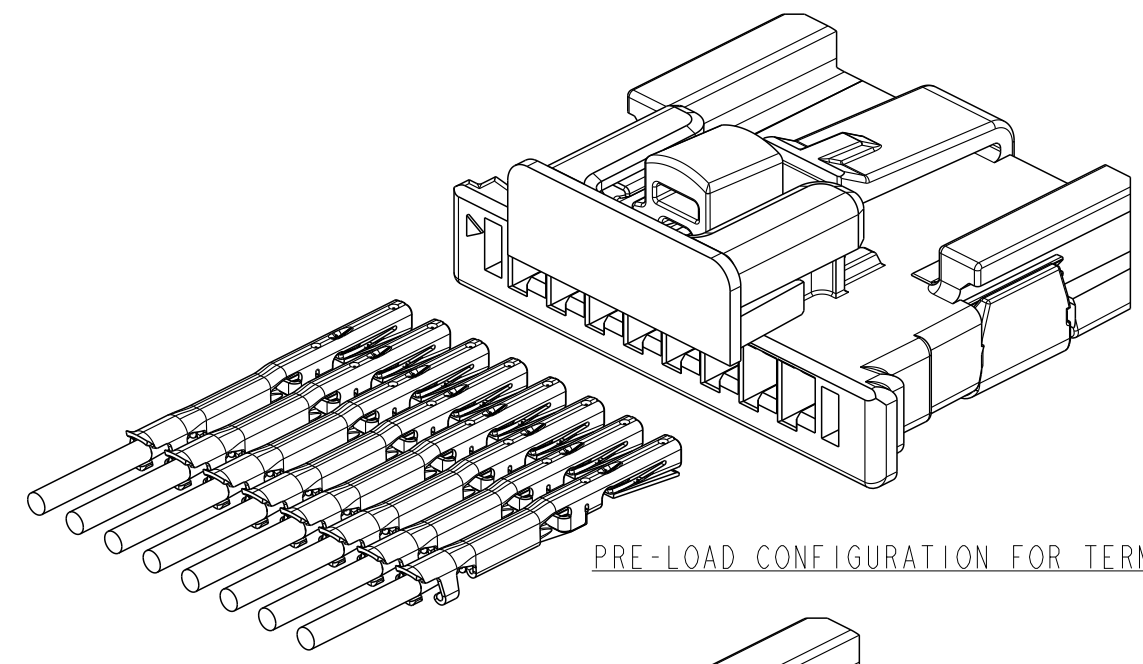
2

3

4

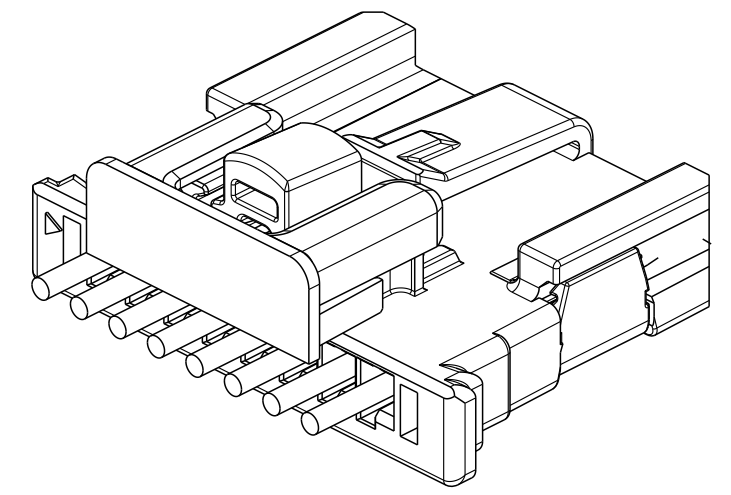
PART NO.	NO. OF POSN	DIM "A"
10142961-004LF	04	9.26
10142961-005LF	05	11.06
10142961-006LF	06	12.86
10142961-007LF	07	14.66
10142961-008LF	08	16.46
10142961-009LF	09	18.26
10142961-010LF	10	20.06
10142961-011LF	11	21.86
10142961-012LF	12	23.66
10142961-013LF	13	25.46
10142961-014LF	14	27.26
10142961-015LF	15	29.06

A



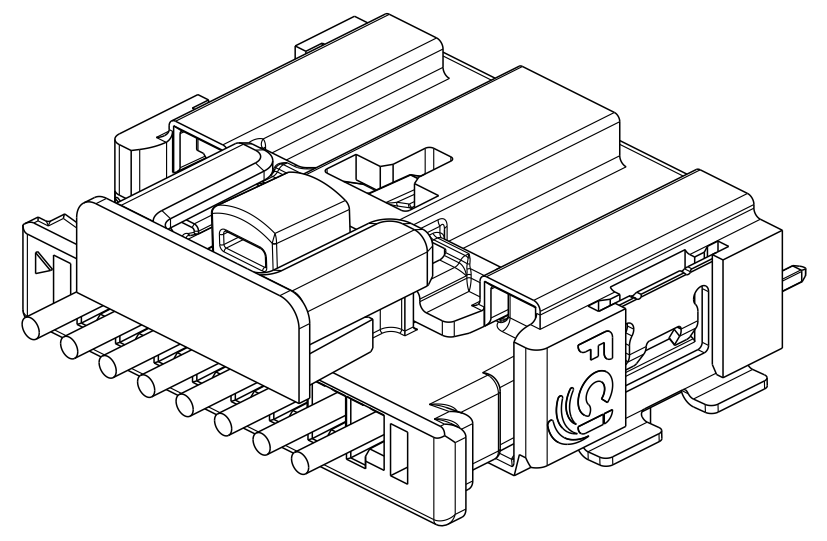
PRE-LOAD CONFIGURATION FOR TERMINAL INSERTION

B

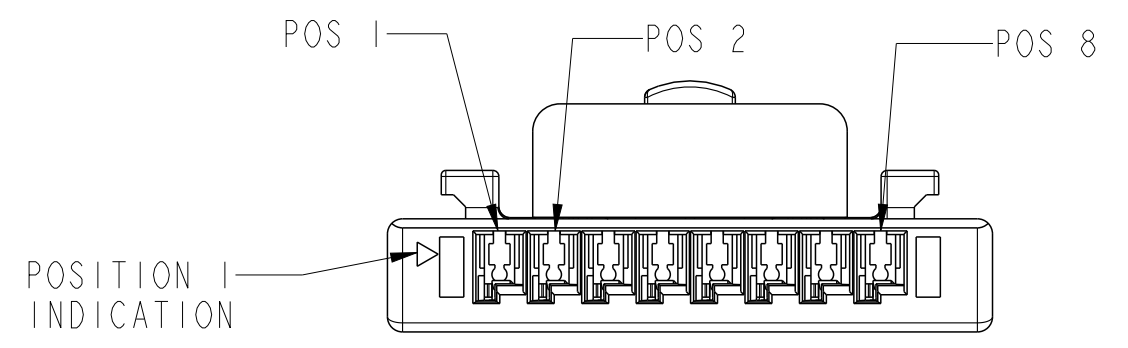


FINAL LOAD CONFIGURATION WITH INSERTED TERMINAL

C



FULL HEADER AND RECEPTACLE ASSEMBLY CONFIGURATION



POSITION NUMBER INDICATION FOR 8POS

Amphenol  
FCi

© 2016 AFCI

D

spec ref	-	dr	Glass-adm, Mar	2018/11/21	projection	mm	size	A3	scale	4:1
tolerance std	ISO 406 ISO 1101	eng	Cyril Jeune	2019/04/26			ecn no	-	rel level	Released
TOLERANCES UNLESS OTHERWISE SPECIFIED		chr	Hyppias, Arnau	2019/04/26						
surface	linear	0.X	±0.3	<b>Amphenol FCi</b>	RECEPTACLE ASSEMBLY		dwg no	10142961	rev	A
		0.XX	±0.10		MINITEK μSPACE STS 1.8 TOP LATCH					
	angular	0°	±2°		cat. no.	-				

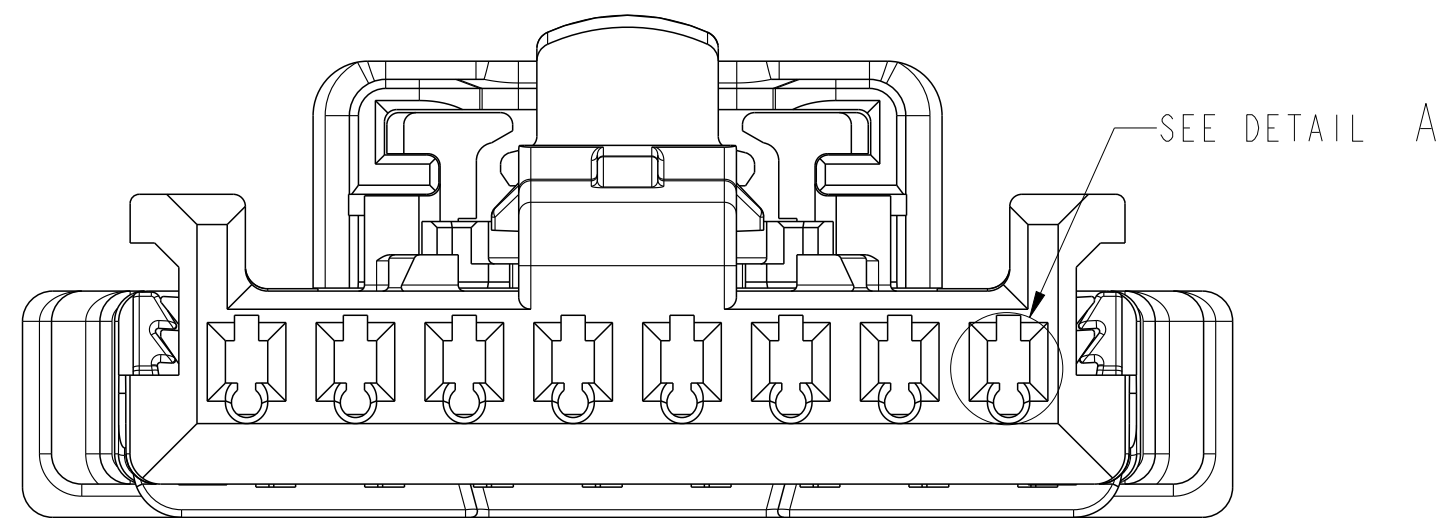
2

3

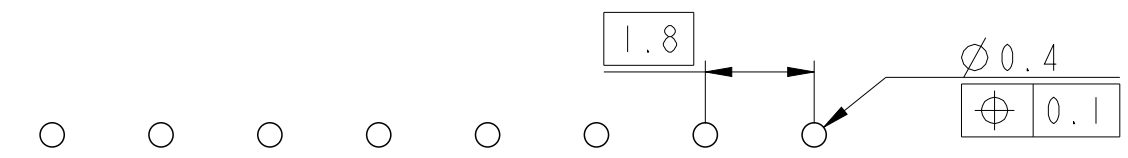
PDS: Rev :A

STATUS:Released

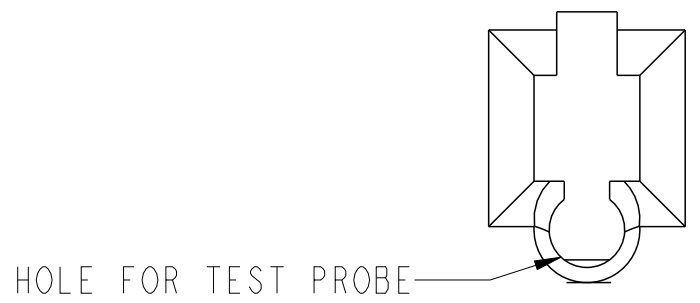
Printed: Apr 26, 2019



TEST PROBE  $\varnothing$ 0.4mm COMPLIANCE



RECOMMENDED LAYOUT OF TEST PROBE  $\varnothing$ 0.4mm



HOLE FOR TEST PROBE

DETAIL A  
SCALE 20:1

spec ref	-	dr	Glass-adm, Mar	2018/11/21	projection	mm	size	A3	scale	8:1
tolerance std	ISO 406 ISO 1101	eng	Cyril Jeune	2019/04/26			ecn no		-	
TOLERANCES UNLESS OTHERWISE SPECIFIED		chr	Hyppias, Arnau	2019/04/26			rel level		Released	
surface	linear	appr	Beatrice Vial	2019/04/26	product family		-		-	
					Amphenol FCi		RECEPTACLE ASSEMBLY		dwg no	
					MINITEK $\mu$ SPACE STS 1.8 TOP LATCH		10142961		rev	
ISO 1302	angular				cat. no.	-	Product - Customer Drw		sheet 3 of 3	