

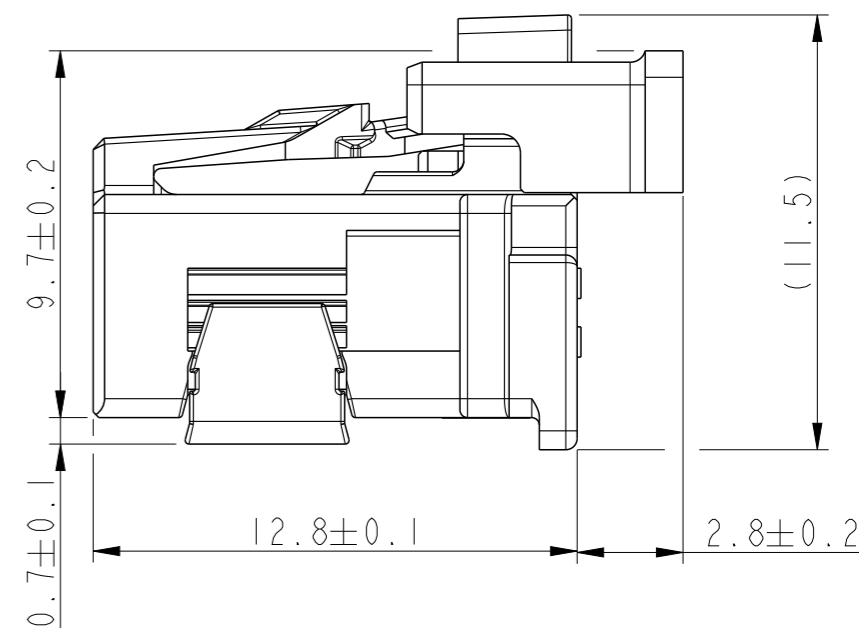
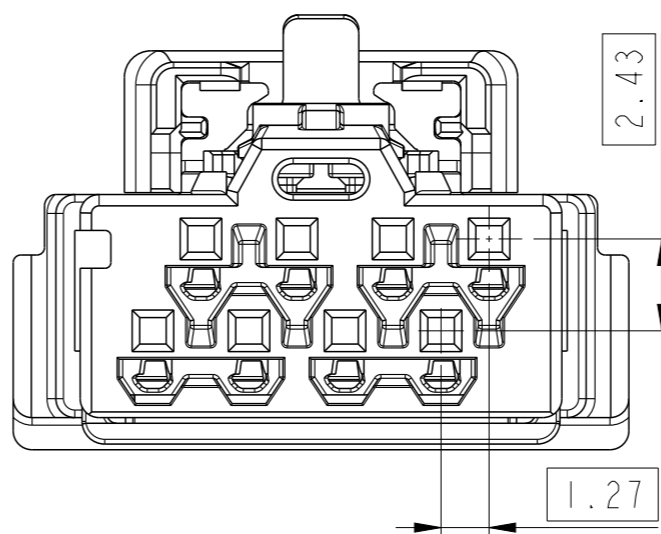
PRODUCT DESCRIPTION CODE :

10155504-A0XX LF

CODING TYPE :
 A = CODING A
 B = CODING B
 C = CODING C

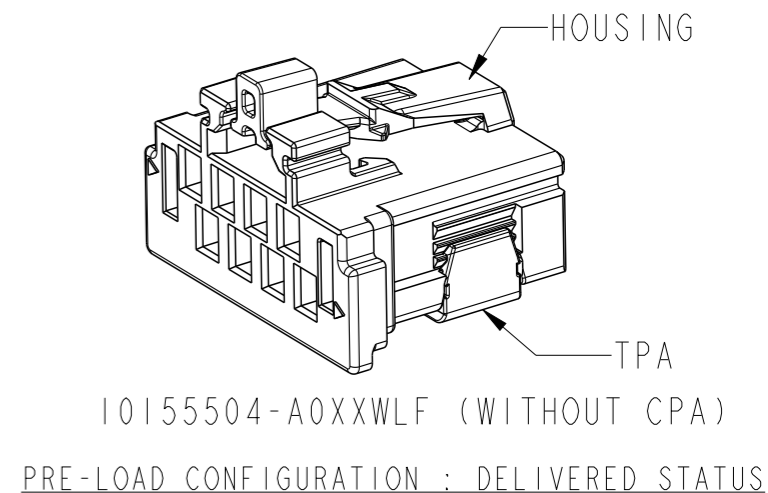
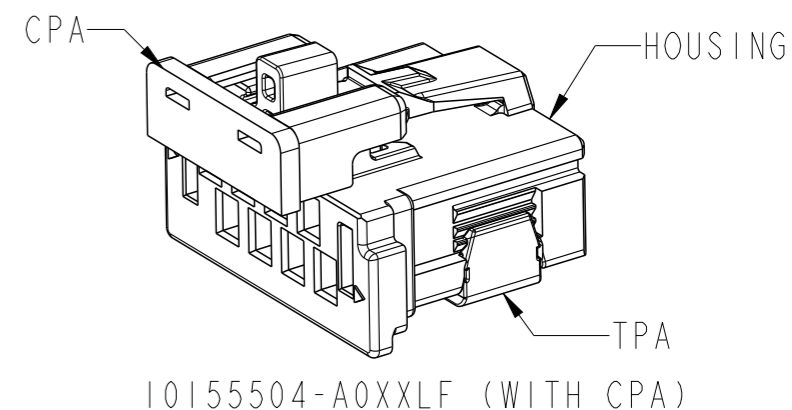
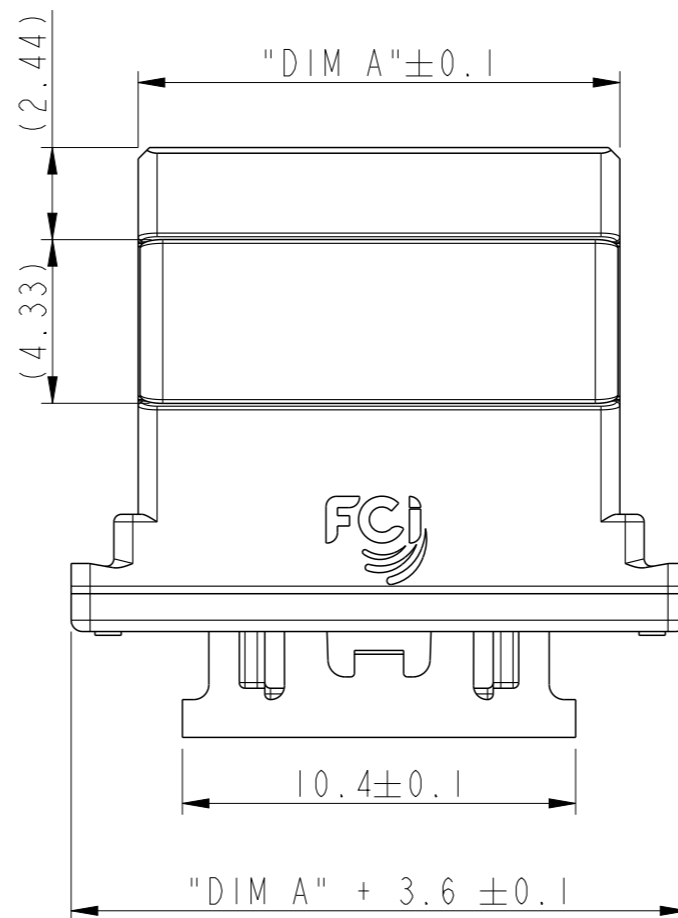
RoHS COMPATIBLE
 FOR CUSTOMER CODE:
 BLANK = GENERAL USE
 BLANK = WITH CPA
 W = WITHOUT CPA

NUMBER OF POSITIONS : 02 TO 16



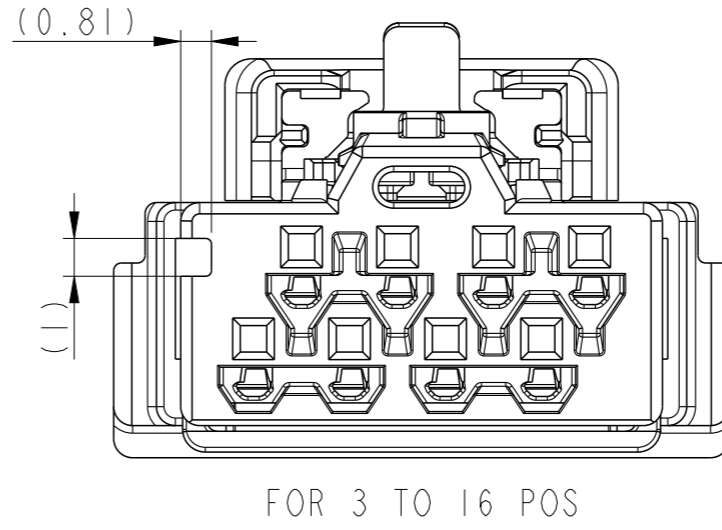
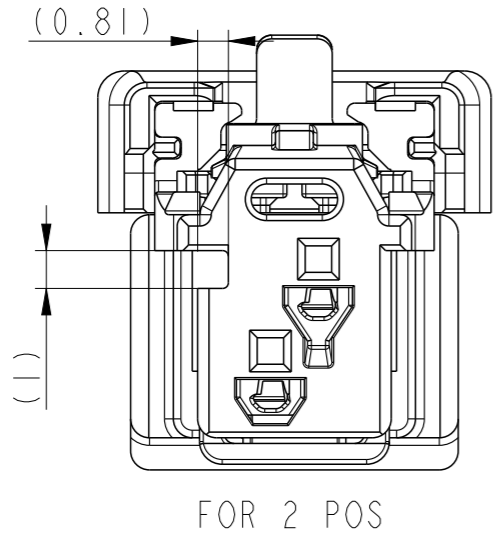
NOTES:

- 1 - MATERIAL:
 HIGH TEMPERATURE THERMOPLASTIC UL94 V-0
 HOUSING AND TPA : COLOR BLACK
 CPA : COLOR RED
- 2 - FOR USE WITH MINITEK μ SPACE CTW TERMINALS :
 AWG 22 TO AWG 28, SERIES 10155447
- 3 - TO BE MATED WITH MINITEK MicroSpaceXS HEADERS SERIES
 10155500, 10155502, 10155520
- 4 - THE PRODUCT IS NOT INTENDED TO BE EXPOSED TO ANY
 SOLDER PROCESS.
- 5 - RoHS COMPATIBLE PRODUCT SPECIFICATIONS
 - a - LABELLING :
 MEETS PACKAGING SPECS AS PER GS-14-920
 - b - LEGAL STATEMENT :
 SEE GS-47-0004.

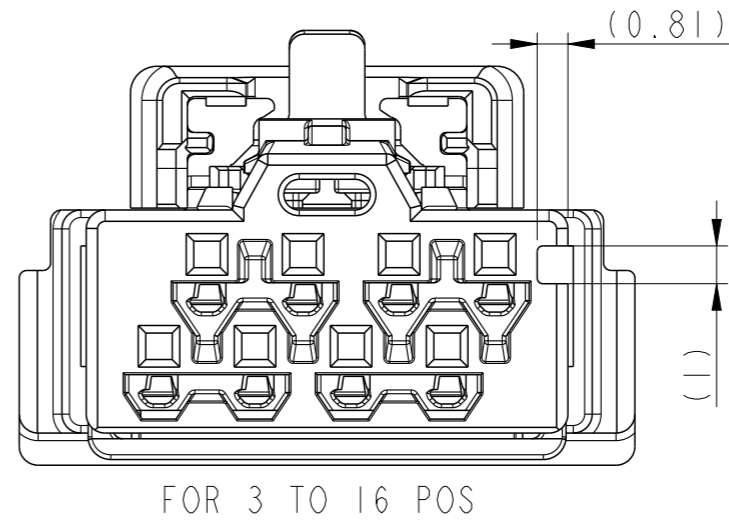
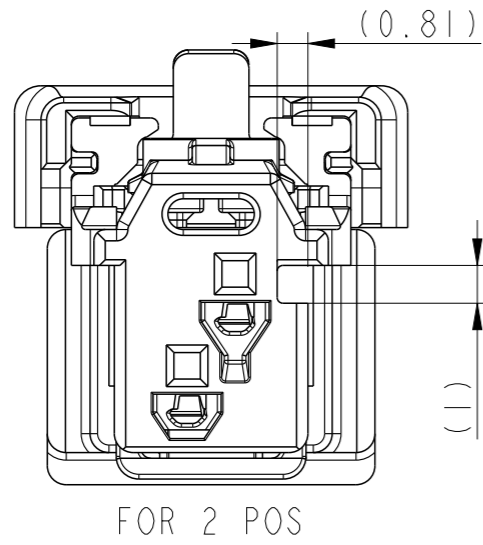


spec ref	GS-12-1634	dr	Sawanth, Ambaa	2020/06/01	projection	mm	size	A3	scale	5:1
tolerance std	ISO 406 ISO 1101	eng	Cyril Jeune	2020/06/26			ecn no	-	rel level	Released
TOLERANCES UNLESS OTHERWISE SPECIFIED		chr	Hyppias, Arnau	2020/06/26			product family	-	rel level	Released
surface	linear	0.X	±0.3		RECEIPT ASSY STG TOP LATCH		dwg no	10155504	rev	A
		0.XX	±0.1		MINITEK MicroSpaceXS		cat. no.	-	Product - Customer Drw	sheet 1 of 3
	angular	0°	±2°							

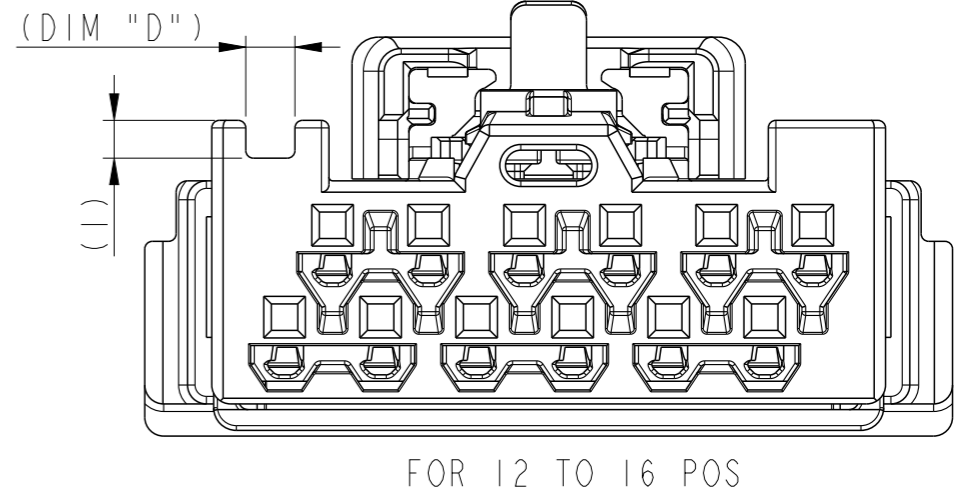
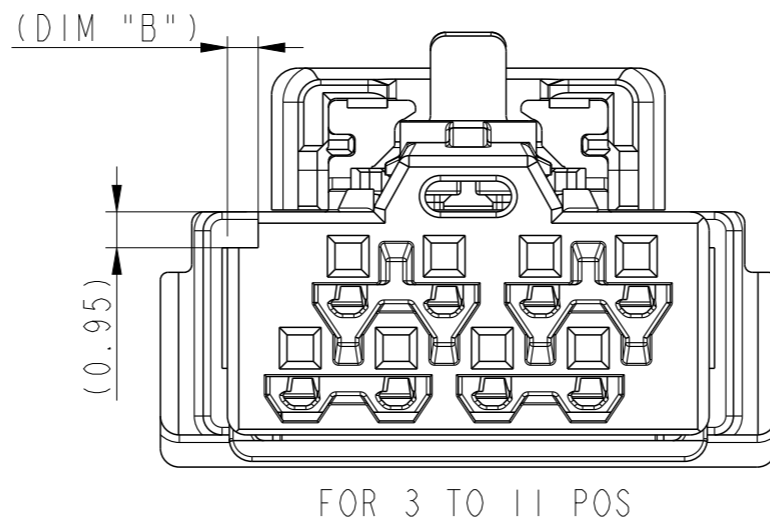
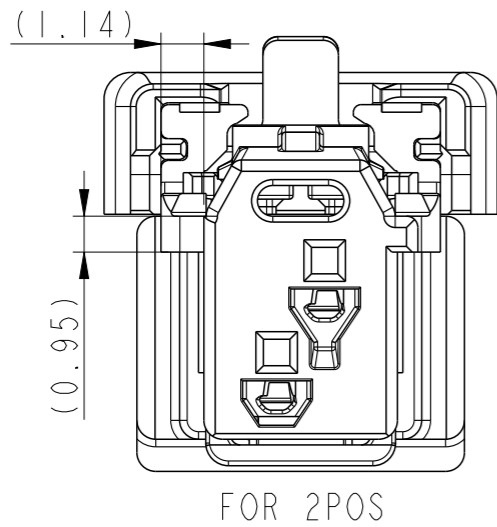
COD A VIEWS AND DIMENSIONS



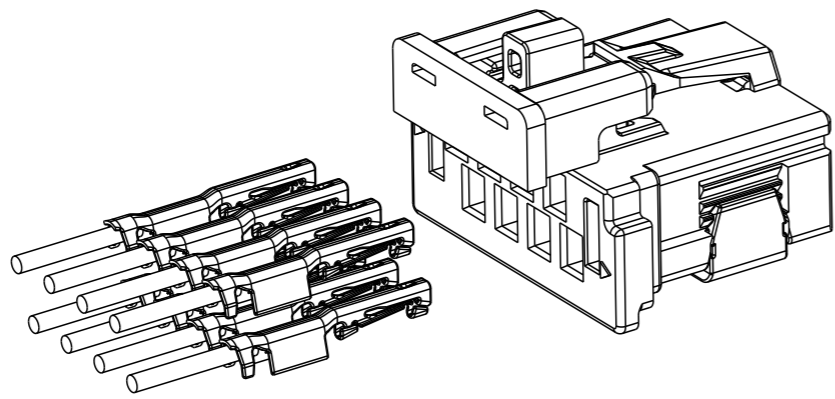
COD B VIEWS AND DIMENSIONS



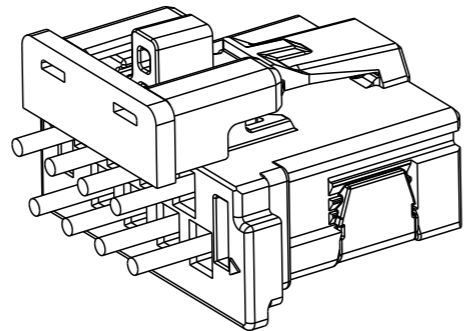
COD C VIEWS AND DIMENSIONS



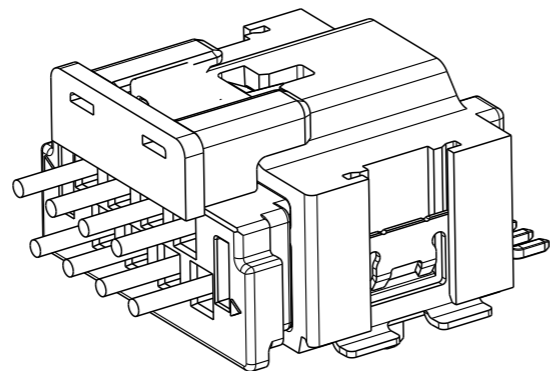
spec ref	GS-12-1634	dr	Sawanth, Ambaa	2020/06/01	projection	mm	size	A3	scale	5:1	
tolerance std	ISO 406 ISO 1101	eng	Cyril Jeune	2020/06/26			ecn no	-	rel level	Released	
TOLERANCES UNLESS OTHERWISE SPECIFIED		chr	Hyppias, Arnau	2020/06/26			product family	-	rel level	Released	
surface	linear	0.X	±0.3	Amphenol FCi	RECEPT ASSY STG TOP LATCH		dwg no	10155504		rev	A
		0.XX	±0.10		MINITEK MicroSpaceXS						
ISO 1302	angular	0°	±2°		cat. no.	-	Product - Customer Drw	sheet 2 of 3			



PRE-LOAD CONFIGURATION FOR TERMINAL INSERTION

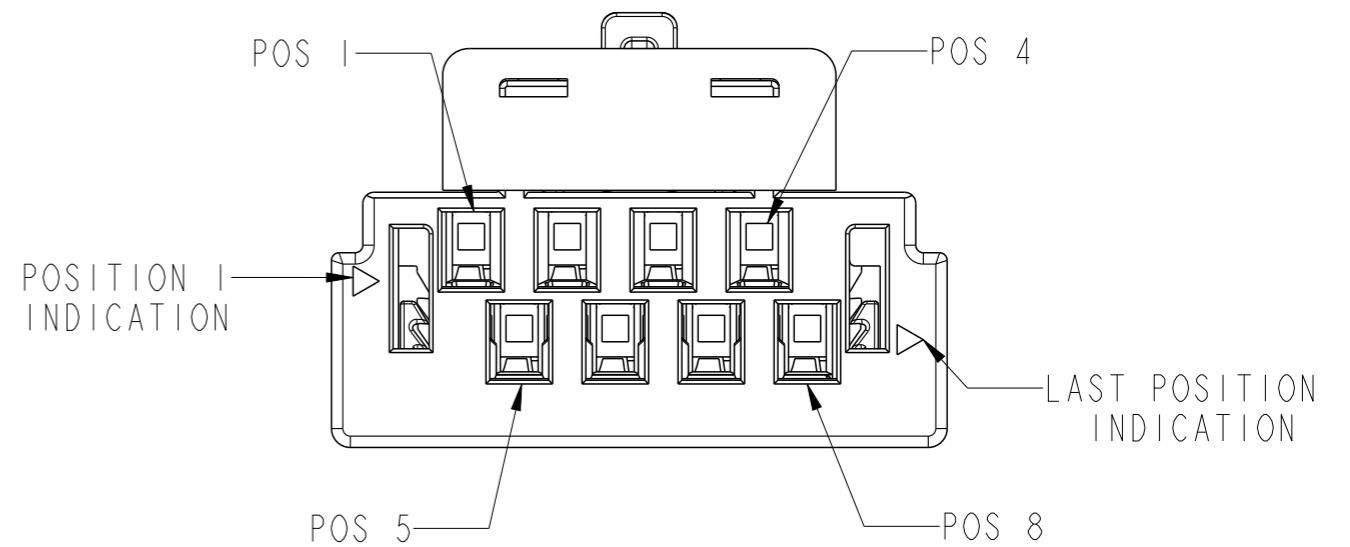


FINAL LOAD CONFIGURATION WITH INSERTED TERMINAL



FULL HEADER AND RECEPTACLE ASSEMBLY CONFIGURATION

PART NO.	NO. OF POSN	DIM "A"	DIM "B"	DIM "C"	DIM "D"
10155504-A002LF	02	05.12	N/A	N/A	N/A
10155504-A003LF	03	06.39	0.64	N/A	N/A
10155504-A004LF	04	07.66	0.81	N/A	N/A
10155504-A005LF	05	08.93	0.77	N/A	N/A
10155504-A006LF	06	10.20	0.81	N/A	N/A
10155504-A007LF	07	11.47	0.81	N/A	N/A
10155504-A008LF	08	12.74	0.81	N/A	N/A
10155504-A009LF	09	14.01	0.81	N/A	N/A
10155504-A010LF	10	15.28	0.81	N/A	N/A
10155504-A011LF	11	16.55	0.81	N/A	N/A
10155504-A012LF	12	17.82	N/A	2.67	1.30
10155504-A013LF	13	19.09	N/A	2.67	1.30
10155504-A014LF	14	20.36	N/A	2.80	1.70
10155504-A015LF	15	21.63	N/A	3.12	1.70
10155504-A016LF	16	22.90	N/A	3.45	1.70



POSITION NUMBER INDICATION FOR 8POS VERSION

SCALE 5:1

spec ref	GS-12-1634	dr	Sawanth, Ambaa	2020/06/01	projection	mm	size	A3	scale	4:1
tolerance std	ISO 406 ISO 1101	eng	Cyril Jeune	2020/06/26			ecn no	-	rel level	Released
TOLERANCES UNLESS OTHERWISE SPECIFIED		chr	Hyppias, Arnau	2020/06/26						
surface	linear	0.X	±0.3	Amphenol FCI	RECEPT ASSY STG TOP LATCH		dwg no	10155504	rev	A
		0.XX	±0.10		MINITEK MicroSpaceXS					
	angular	0°	±2°		cat. no.	-				