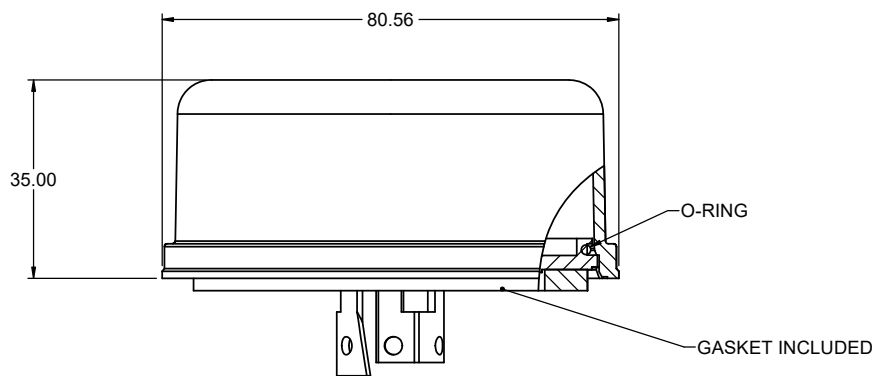
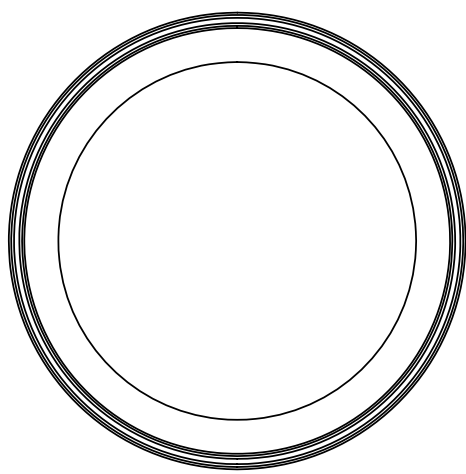
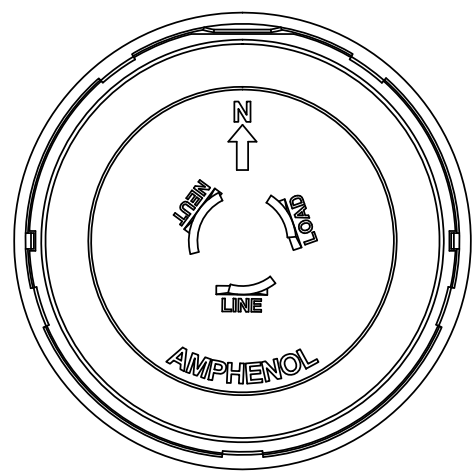


REVISIONS			
REV	DESCRIPTION, ECN, EAR NO.	DATE	APPD
C	UPDATED NOTES	FEB13/20	S.M



NOTES:

- MATERIALS:
HOUSING: ENGINEERING THERMOPLASTIC
CONTACTS: COPPER ALLOY
SHORTING CLIP: COPPER ALLOY
GASKET: EPDM RUBBER
O-RING: SILICONE RUBBER
COVER: POLYCARBONATE UL-94-5VA RATED
- FINISH
CONTACTS: MATTE TIN PLATE
- MATING INTERFACE PER ANSI C136.10
- TO BE USED WITH ANSI C136.41-2013 RECEPTACLES
- IP66 PROTECTION AS PER IEC 60529



ORDERING CODE: FLA - C X 0 - 00

FLA SERIES _____

C - SHORTING CAP _____

TYPE OF SHORTING CAP
0 = OPEN CIRCUIT
1 = SHORTING CONTACTS

AMPHENOL PART NUMBER	DESCRIPTION	COLOR
FLA-C00-00	OPEN CIRCUIT	RED
FLA-C10-00	LINE AND LOAD SHORTED	BLACK



AMPHENOL PART NUMBER FLC-CX0-00

UNLESS SPECIFIED OTHERWISE	DRAWN	I.NELSON	JUL11/19
PRIMARY UNITS MILLIMETERS	CHECKED	S.MUGAN	JUL15/19
SECONDARY	M.E. APPD		
REFERENCE IN PARENTHESES	Q.A. APPD		
GENERAL TOLERANCES	DWG APPR.		
1 DECIMAL PLACE	ENG. REL. NO.		
2 DECIMAL PLACES ±0.15	REF.		
3 DECIMAL PLACES	THIRD ANGLE PROJECTION		
ANGULAR DEGREES	DO NOT SCALE DRAWING		

Amphenol Canada Corp.
Commercial Products

ANSI C136.41 SHORTING CAP
RoHS COMPLIANT

DWG. NO. **P-FLA-CX0-00** REV **C**

CODE ID NO. 03554 DWG SIZE: X SCALE: 1:1 SHEET 1 OF 1