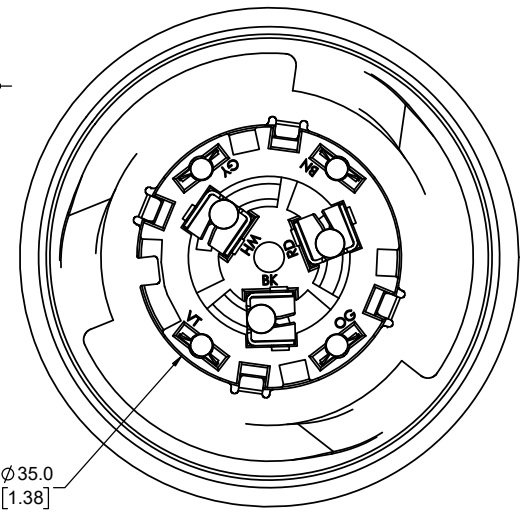


REVISIONS			
REV	DESCRIPTION, ECN, EAR NO.	DATE	APPD
B	SPRING RING UPDATED	JUN11/20	S.M.
C	NOTES UPDATED	JUL27/20	S.M.



PART NUMBER FLA-R4141-30-05 SHOWN

FLA - R X 14 X - 30 - 05

- FLA SERIES _____
- ROTATABLE _____
- NUMBER OF DIMMABLE CONTACTS
2 = 2 DIMMABLE CONTACTS
4 = 4 DIMMABLE CONTACTS
- 14 AWG POWER CONTACT WIRE _____
- OPERATING TEMPERATURE:
1 = -40 TO 105°C - UL AWM STYLE WIRE 1015/10070 - 105°C 600 VAC
2 = -40 TO 150°C - UL AWM STYLE WIRE 3289 - 150°C 600 VAC
- CONNECTOR WIRE LENGTH: 305 mm _____

NOTES:

1. MATERIALS: ALL MATERIALS ARE RoHS COMPLIANT PER EU DIRECTIVE 2011/65/EU & AMENDMENTS.
 - HOUSING: ENGINEERING THERMOPLASTIC, UL FLAMMABILITY RATING 94V-0, COLOUR BLACK
 - POWER CONTACT: COPPER ALLOY, PLATED WITH TIN OVER NICKEL
 - DIMMABLE CONTACT: COPPER ALLOY, PLATED WITH 0.76 µm (30 µ") GOLD OVER 1.27 µm (50µ") NICKEL, DRY LUBRICANT APPLIED TO CONTACT SURFACE AFTER PLATING
 - POWER CONTACT WIRE: COPPER WITH PVC INSULATION, UL 1015/10070, 14 AWG
 - DIMMABLE CONTACT WIRE: COPPER WITH PVC INSULATION, UL 10070, 18 AWG
 - PROTECTIVE CAP: P.E.T POLYESTER TRANSPARENT ANTI-STATIC
2. ELECTRICAL CHARACTERISTICS:
 - HIGH VOLTAGE CURRENT: 15 A
 - DIMMABLE CONTROL: 0 - 10 V
 - OPERATING VOLTAGE: 480 V
3. SPECIFICATIONS:
 - ANSI C136-41-2017
 - ANSI C136-10-2010
 - UL 773

PANEL GASKET CAN BE ORDERED SEPARATELY; REFER TO DRAWING P-FLA-2N-01BP. CONSULT WITH AMPHENOL CANADA FOR OTHER OPTIONS OR SPECIAL REQUESTS.

AMPHENOL PART NUMBER FLA-RX14X-30-05



UNLESS SPECIFIED OTHERWISE	DRAWN	S.MUGAN	MAY19/20
PRIMARY UNITS MILLIMETRES	CHECKED	A.GEEN	MAY19/20
SECONDARY UNITS INCHES	M.E. APPD		
REFERENCE IN PARENTHESES	Q.A. APPD		
GENERAL TOLERANCES	DWG APPR.		
1 DECIMAL PLACE ±0.3	ENG. REL. NO.		
2 DECIMAL PLACES	REF.		
3 DECIMAL PLACES	THIRD ANGLE PROJECTION		
ANGULAR DEGREES	DO NOT SCALE DRAWING		

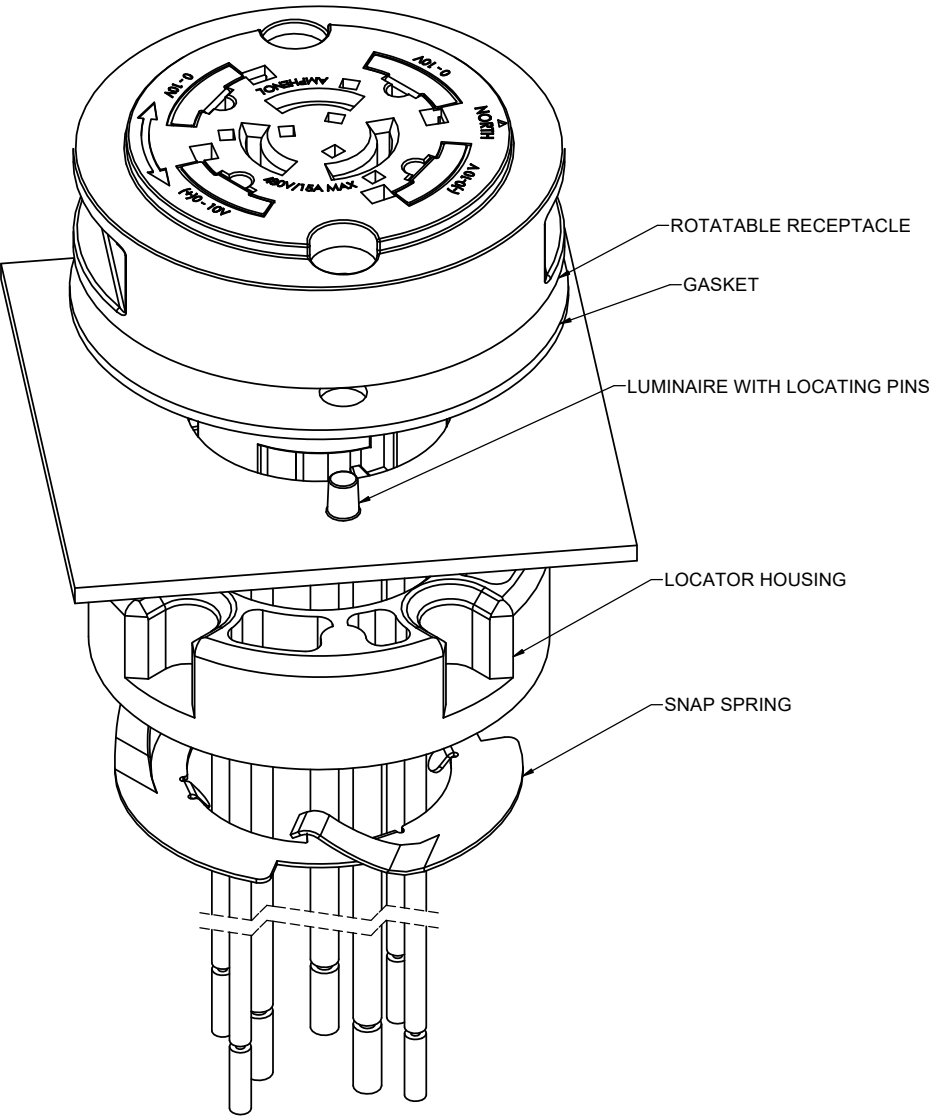
Amphenol Canada Corp.
Commercial Products

FLA SERIES, DIMMING CONTROL
TOOL-LESS ROTATING TYPE RECEPTACLE
RoHS COMPLIANT

DWG. NO. **P-FLA-RX14X-30-05** REV **C**

CODE ID NO. 03554 | DWG SIZE: X | SCALE: 2:1 | SHEET 1 OF 2

REVISIONS			
REV	DESCRIPTION, ECN, EAR NO.	DATE	APPD
B	UPDATED WITH LUMINAIRE	JUN11/20	S.M.
C	NOTES UPDATED	JUL27/20	S.M.



ROTATING INSTRUCTIONS:

1. LIFT THE ROTATABLE HOUSING UPWARDS, AWAY FROM THE LUMINAIRE.
2. ROTATE THE HOUSING TO THE DESIRED POSITION.
3. LET THE HOUSING DOWN TO LOCATE AT THE DESIRED POSITION.



THIS DOCUMENT CONTAINS PROPRIETARY INFORMATION AND SUCH INFORMATION MAY NOT BE DISCLOSED TO OTHERS FOR ANY PURPOSE OR USED FOR MANUFACTURING PURPOSES WITHOUT WRITTEN PERMISSION FROM AMPHENOL CANADA CORP.

UNLESS SPECIFIED OTHERWISE	DRAWN	S.MUGAN	MAY19/20
PRIMARY UNITS	CHECKED	A.GREEN	MAY19/20
SECONDARY	M.E. APPD		
REFERENCE IN PARENTHESES	Q.A. APPD		
GENERAL TOLERANCES	DWG APPR.		
1 DECIMAL PLACE	ENG. REL. NO.		
2 DECIMAL PLACES	REF.		
3 DECIMAL PLACES	THIRD ANGLE PROJECTION		DO NOT SCALE DRAWING
ANGULAR DEGREES			

Amphenol Canada Corp.
Commercial Products

**FLA SERIES, DIMMING CONTROL
TOOL-LESS ROTATING TYPE RECEPTACLE
RoHS COMPLIANT**

DWG. NO.	P-FLA-RX14X-30-05	REV	C
CODE ID NO.	03554	DWG SIZE:	X
SCALE:	2:1	SHEET	2 OF 2