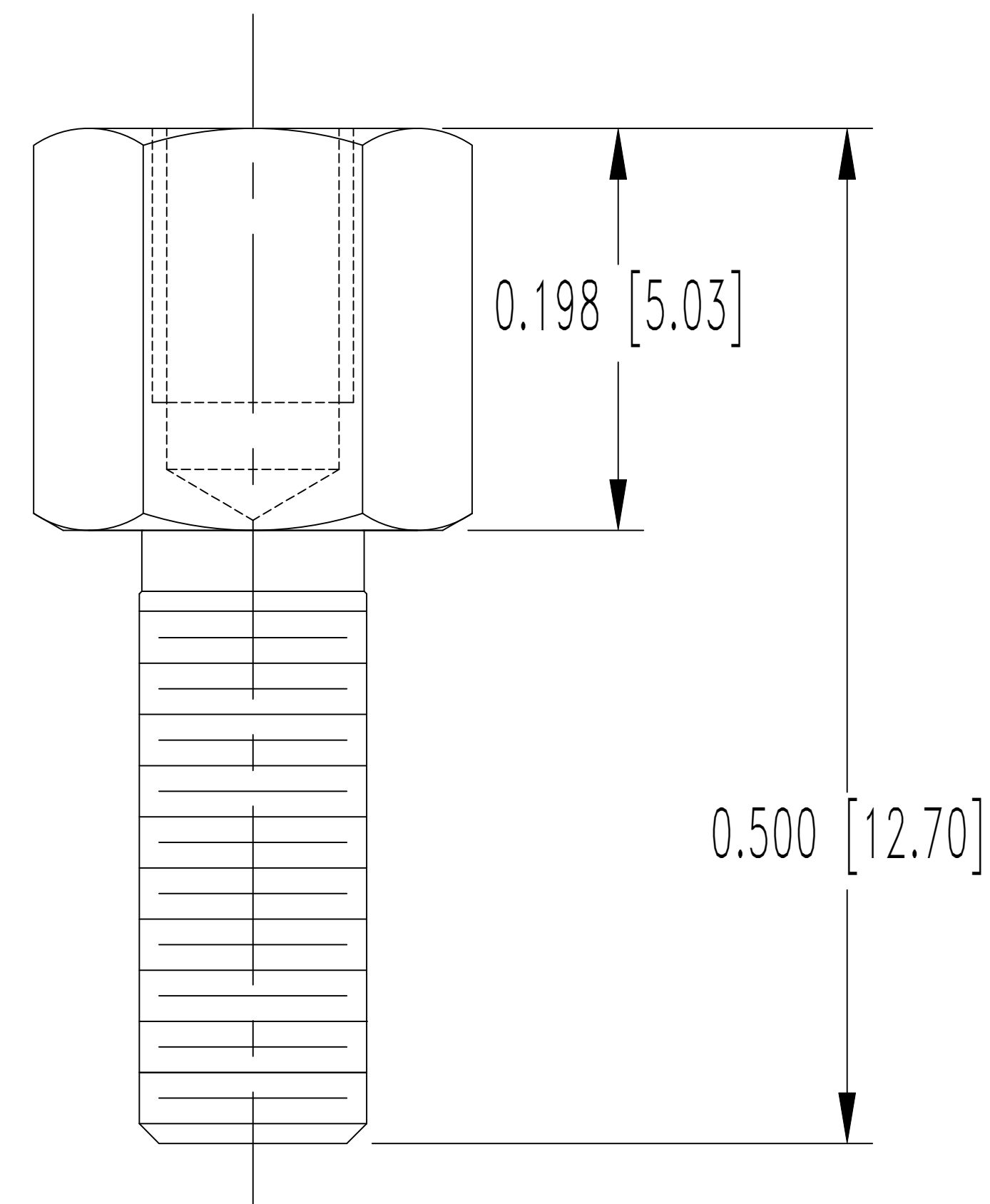


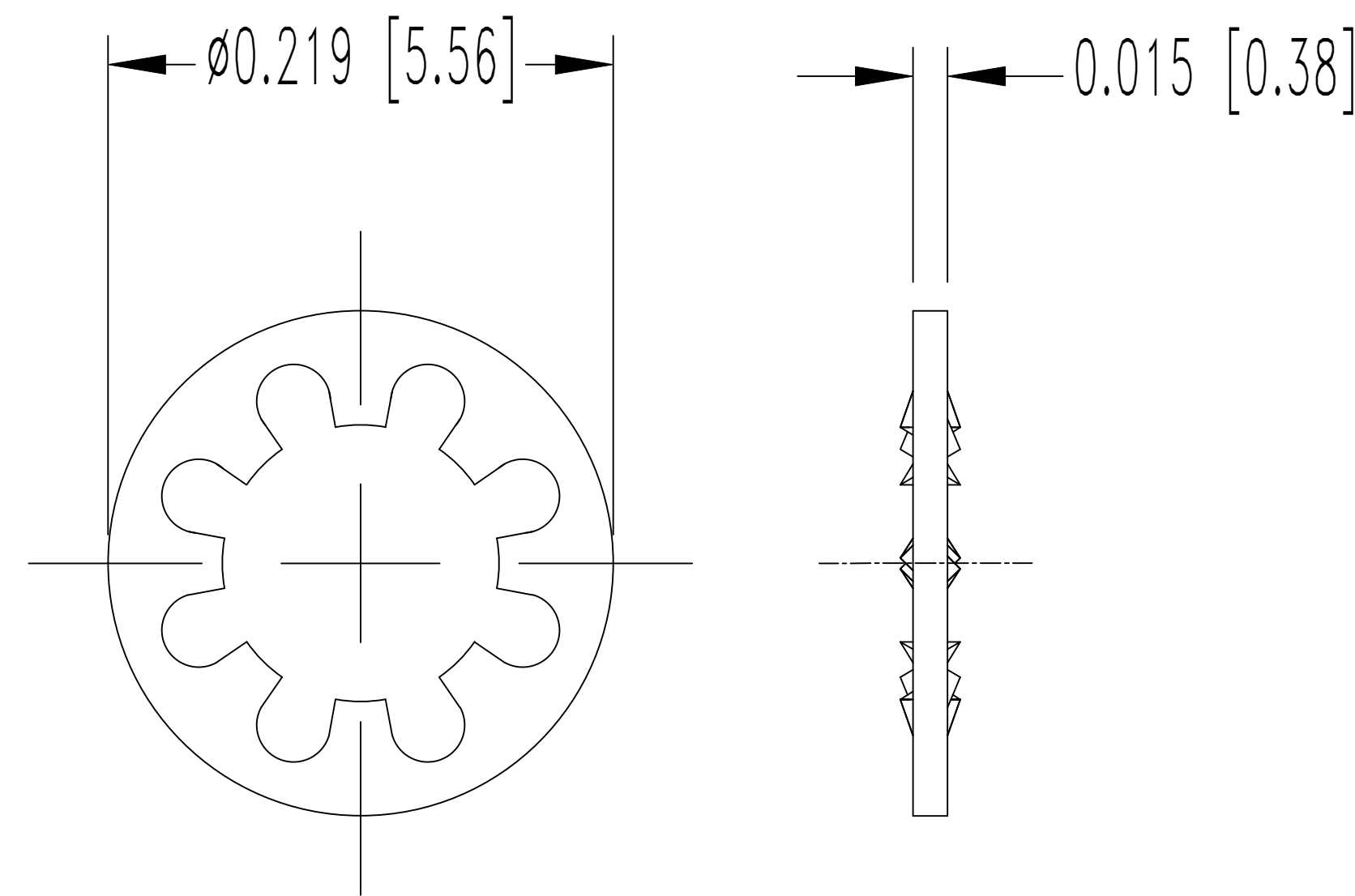
THIS DRAWING CONTAINS INFORMATION PROPRIETARY TO POSITRONIC AND ITS SUBSIDIARIES. POSITRONIC BELIEVES THE DATA ON THIS DRAWING TO BE RELIABLE. SINCE THE TECHNICAL INFORMATION IS GIVEN FREE OF CHARGE, THE USER EMPLOYS SUCH INFORMATION AT HIS OWN DISCRETION AND RISK. POSITRONIC ASSUMES NO RESPONSIBILITY FOR RESULTS OBTAINED OR DAMAGES INCURRED FROM USE OF SUCH INFORMATION IN WHOLE OR IN PART.

DATE	REV	REVISION RECORD	APP	DR	CK
7-5-06	NC	ECO 26313	RCW	YK	TK
11-2-11	A	ECO 34678	COLE	TL	COLE

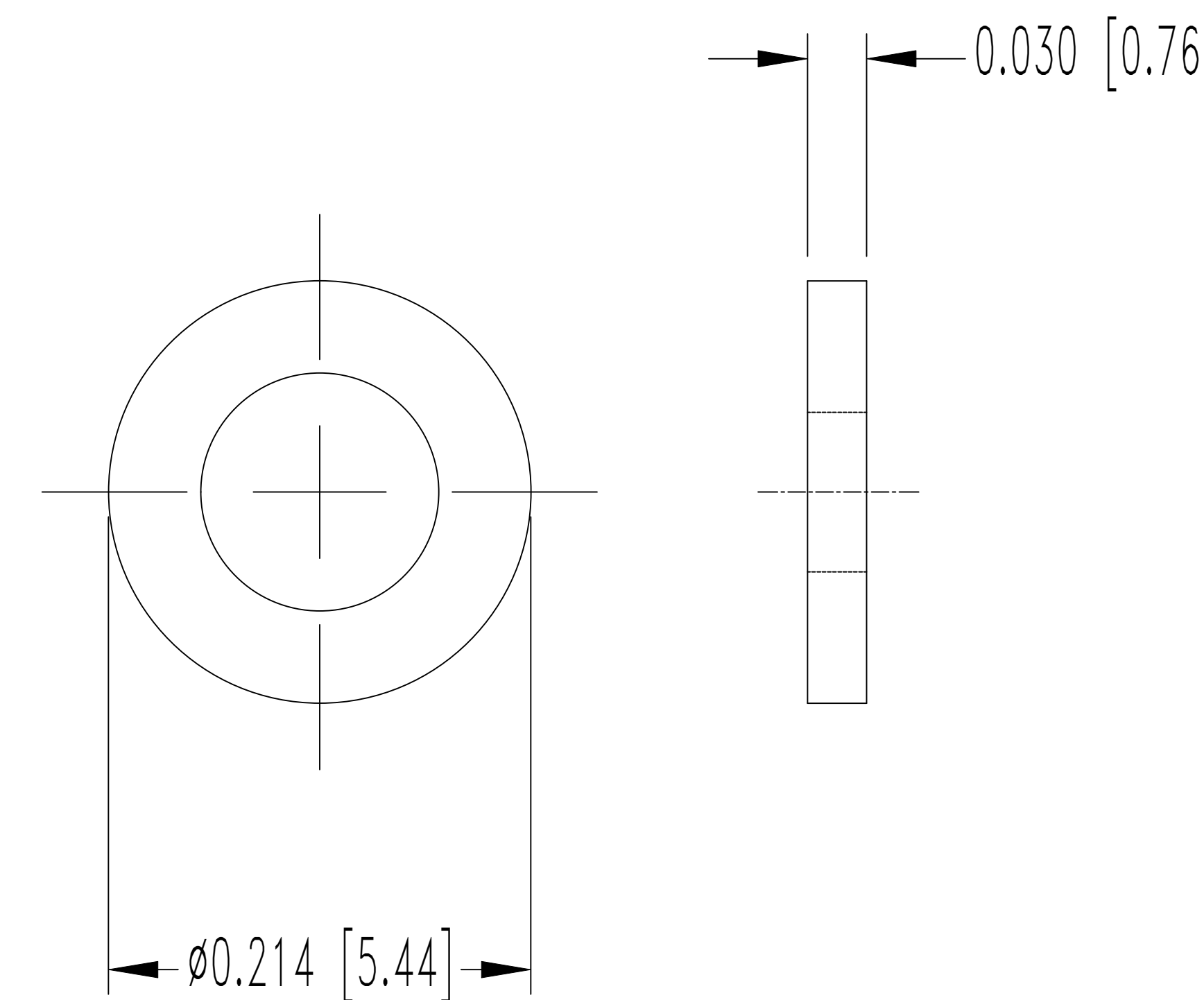
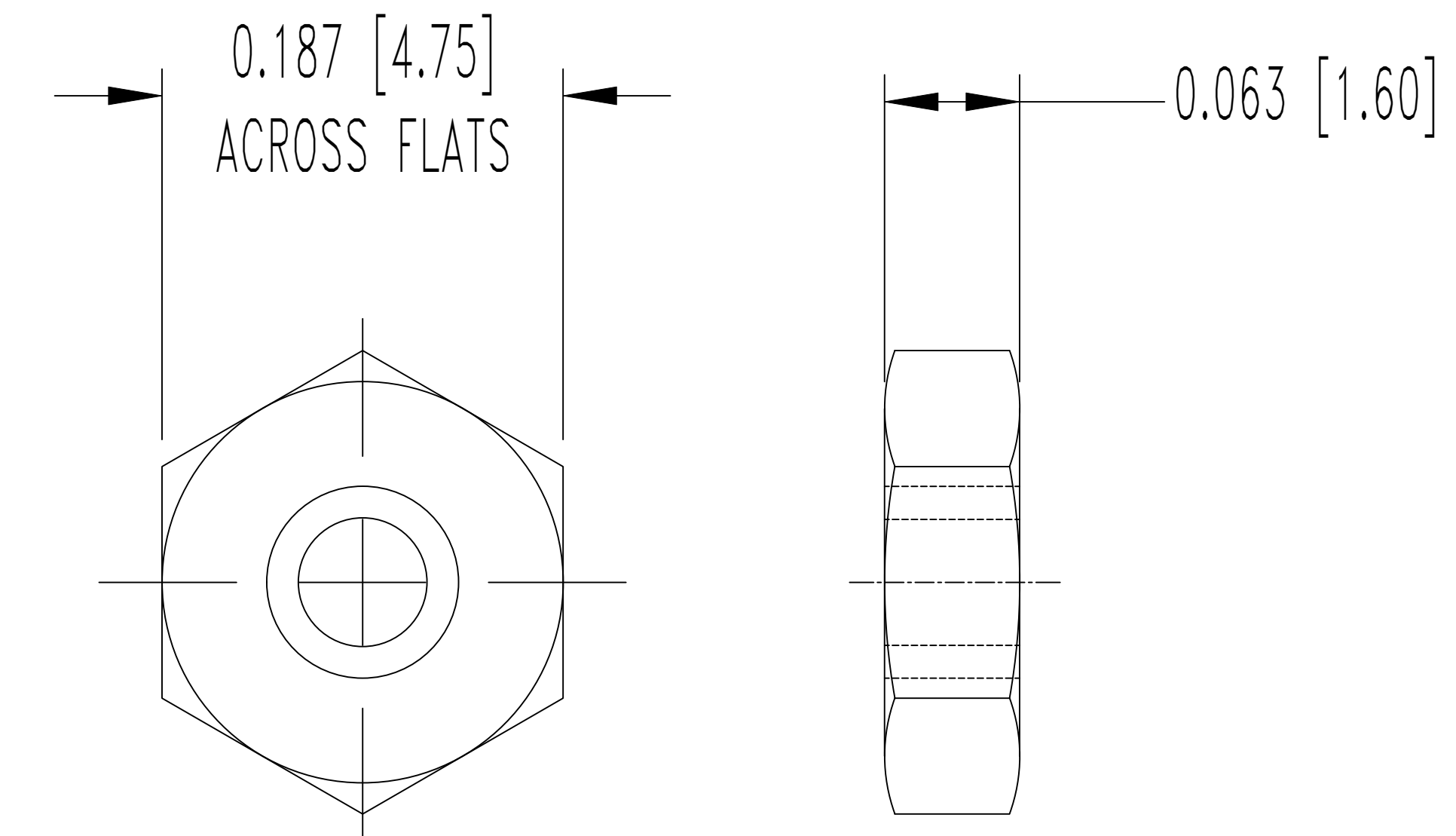


T2 JACKSCREWS

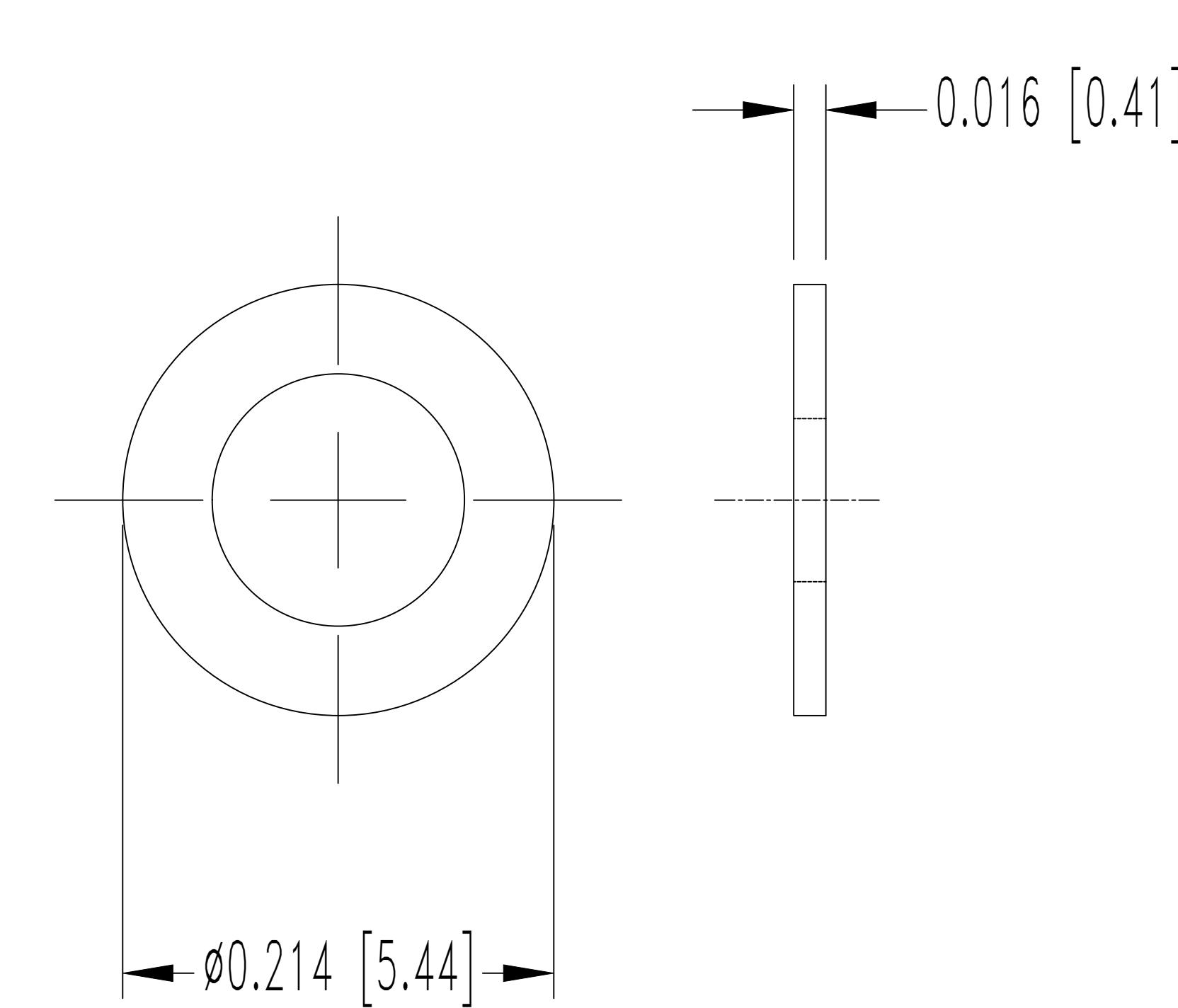
LOCKWASHER



HEX NUT



WASHER



WASHER

NOTES:

- MATERIALS AND FINISHES:
 JACKSCREW: STEEL, ZINC PLATE WITH CHROMATE SEAL.
 WASHER: BRASS, ZINC PLATE WITH CHROMATE SEAL.
 HEXNUT: BRASS, ZINC PLATE WITH CHROMATE SEAL.
 LOCKWASHER: BRONZE, ZINC PLATE WITH CHROMATE SEAL.
- THIS KIT CONSIST OF: 2 JACKSCREWS, 2 LOCKWASHERS, 2 0.030 [0.76] THICK WASHERS, 2 0.016 [0.41] THICK WASHERS, AND 2 HEX NUTS.
- DETAILED PRODUCT, MECHANICAL, AND ELECTRICAL INFORMATION IS AVAILABLE IN THE LATEST D-SUB ACCESSORIES PRODUCT PUBLICATION. VISIT CONNECTPOSITRONIC.COM/PRODUCTS/58/D-SUBMINIATUREACCESSORIES OR CONNECTPOSITRONIC.COM.
- CONNECTORS ARE ROHS COMPLIANT PER ROHS DIRECTIVE 2002/95/EC OF 27 JAN 2003.
- DIMENSIONS ARE IN INCHES [MILLIMETERS].

 POSITRONIC INDUSTRIES INC. SPRINGFIELD, MISSOURI 65801		SCALE	DRAWN BY
DECIMAL TOL. ±0.015 (0.38)		N.T.S.	YK
TITLE D00000T20/AA		APPROVED BY R. WILLIAMS	
ANGULAR TOL. ±5°	DATE 7-5-06	DRAWING NUMBER SK7732	REV. A