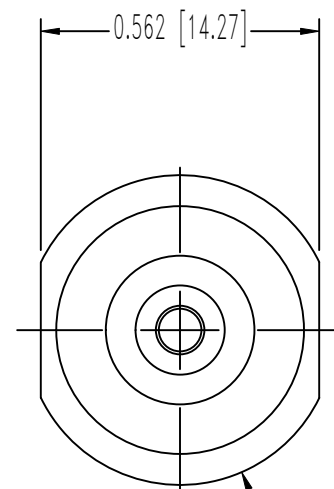


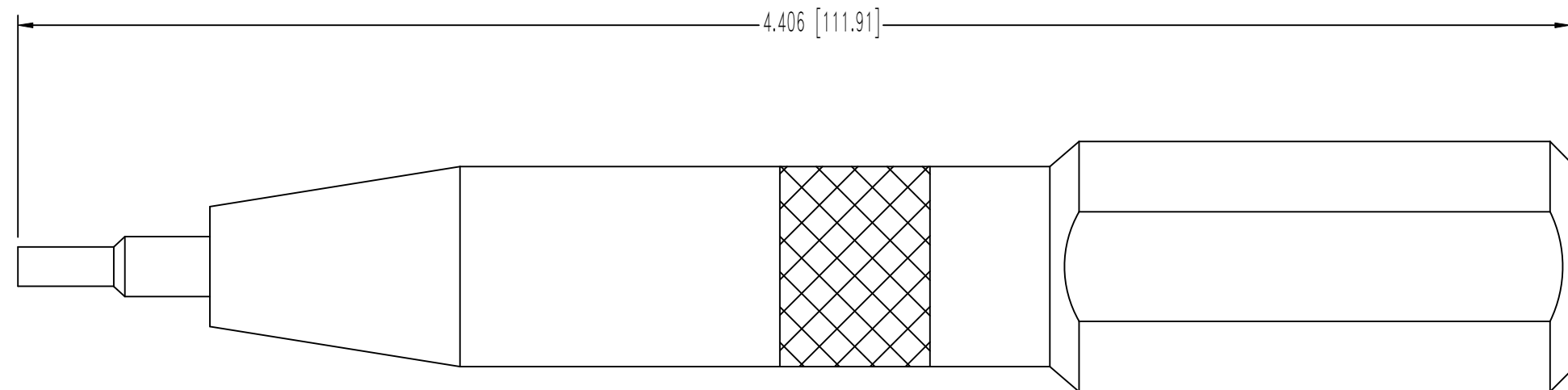
SK10943

THIS DRAWING CONTAINS INFORMATION PROPRIETARY TO POSITRONIC IND. INC. ANY REPRODUCTION, DISCLOSURE OR USE OF THIS DRAWING IS EXPRESSLY PROHIBITED, EXCEPT AS POSITRONIC IND. INC. MAY OTHERWISE AGREE IN WRITING.

DATE	REV	REVISION RECORD	APP	DR	CK
05-08 19	B	ECO 66926	RK	GJ	AB

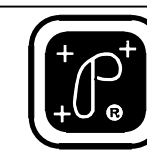


∅0.625 [∅15.88]

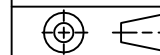


NOTES:

1. DIMENSIONS ARE IN INCHES [MILLIMETERS]



POSITRONIC INDUSTRIES INC.
 SPRINGFIELD, MISSOURI 65806



DECIMAL TOL.
 ± 0.015 [0.38]

ANGULAR TOL.
 ± 3°

PCI

TITLE
 9081-4-0-0

DATE
 8-12-09

DRAWING NUMBER
 SK10943

SCALE
 N.T.S.

DRAWN BY
 B SHELEDY
 APPROVED BY
 R WILLIAMS

REV.
 B