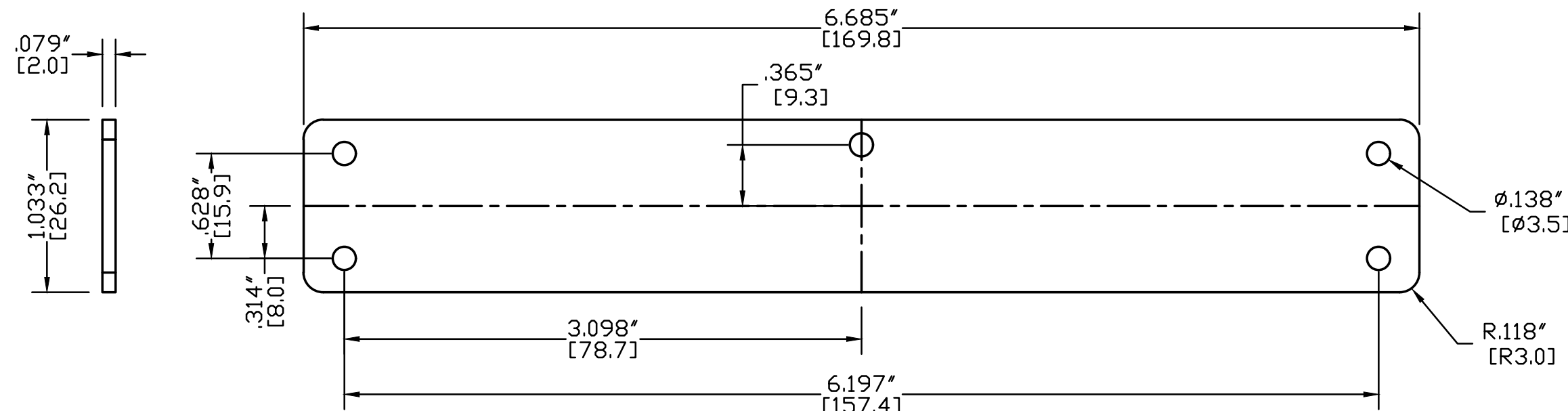
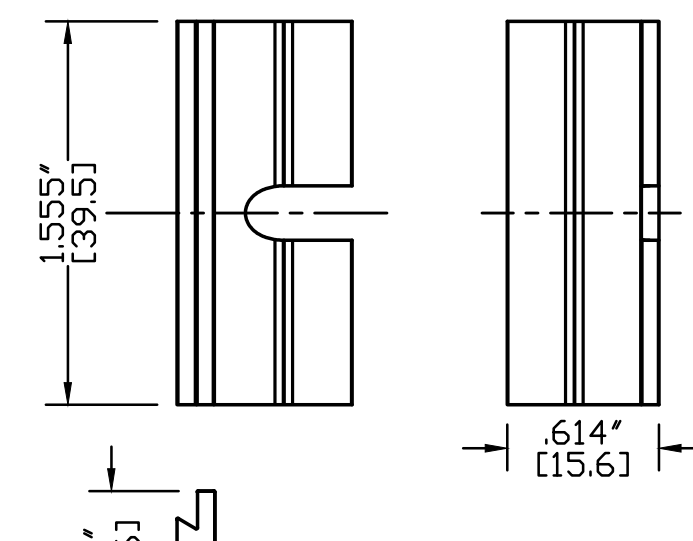
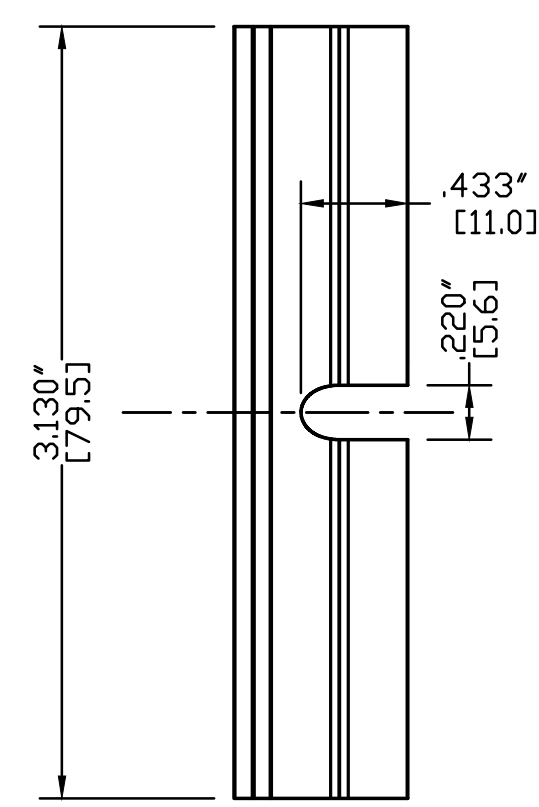


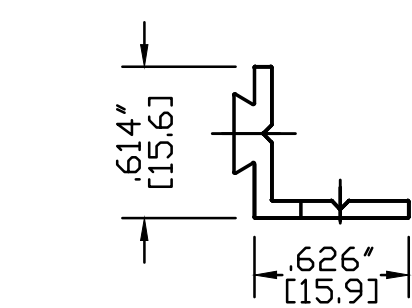
SK4S SEALING KIT
OPTIONAL ACCESSORY



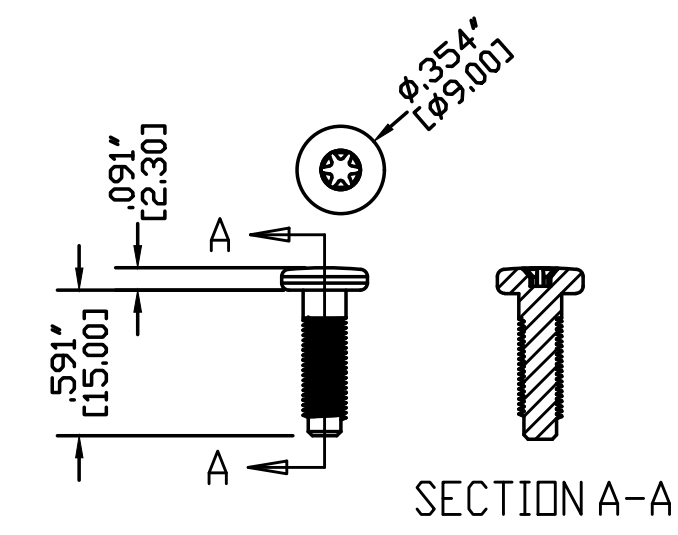
END PLATE



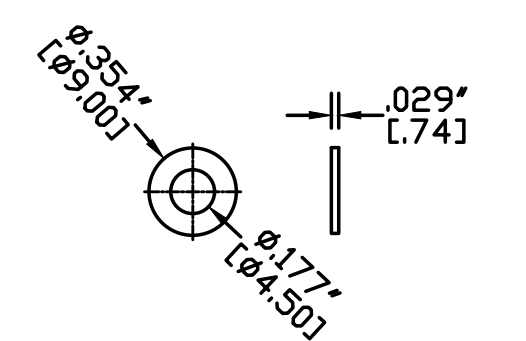
MF-40
OPTIONAL ACCESSORY



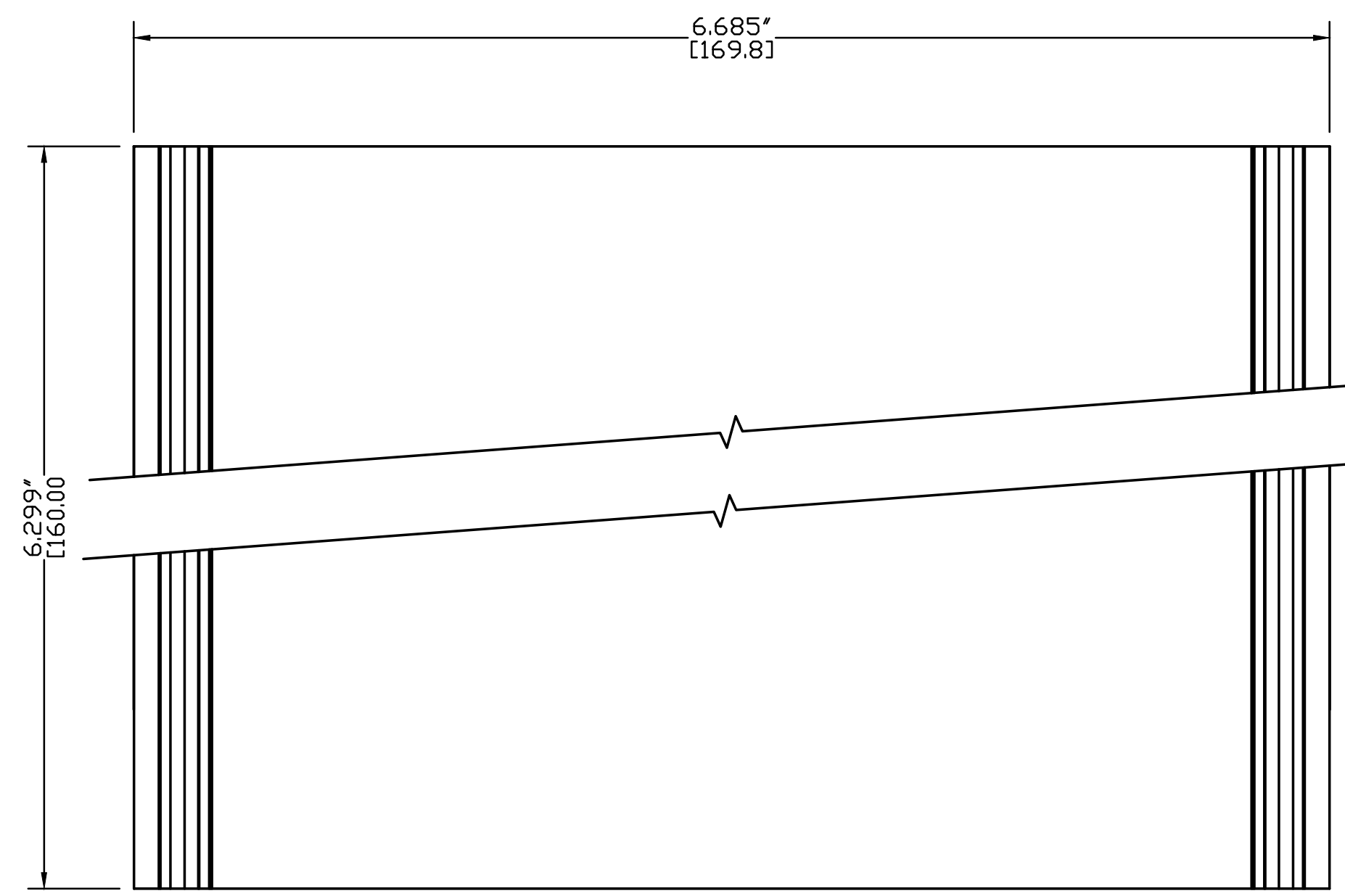
MF-80
OPTIONAL ACCESSORY



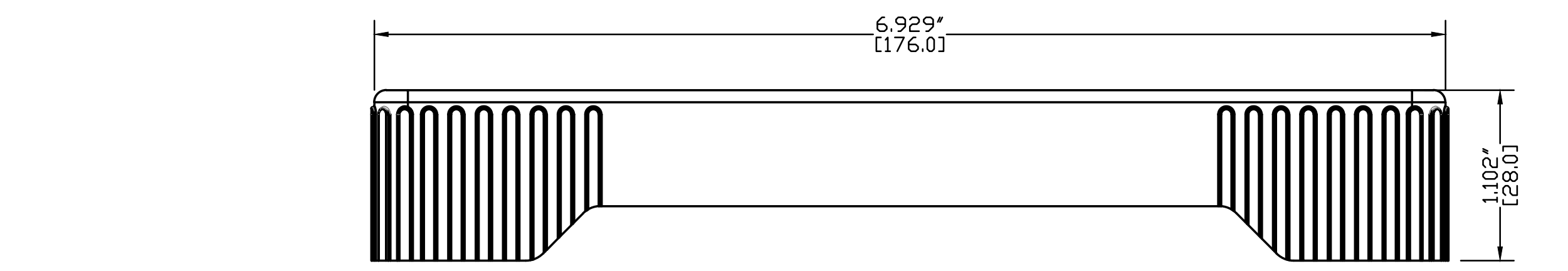
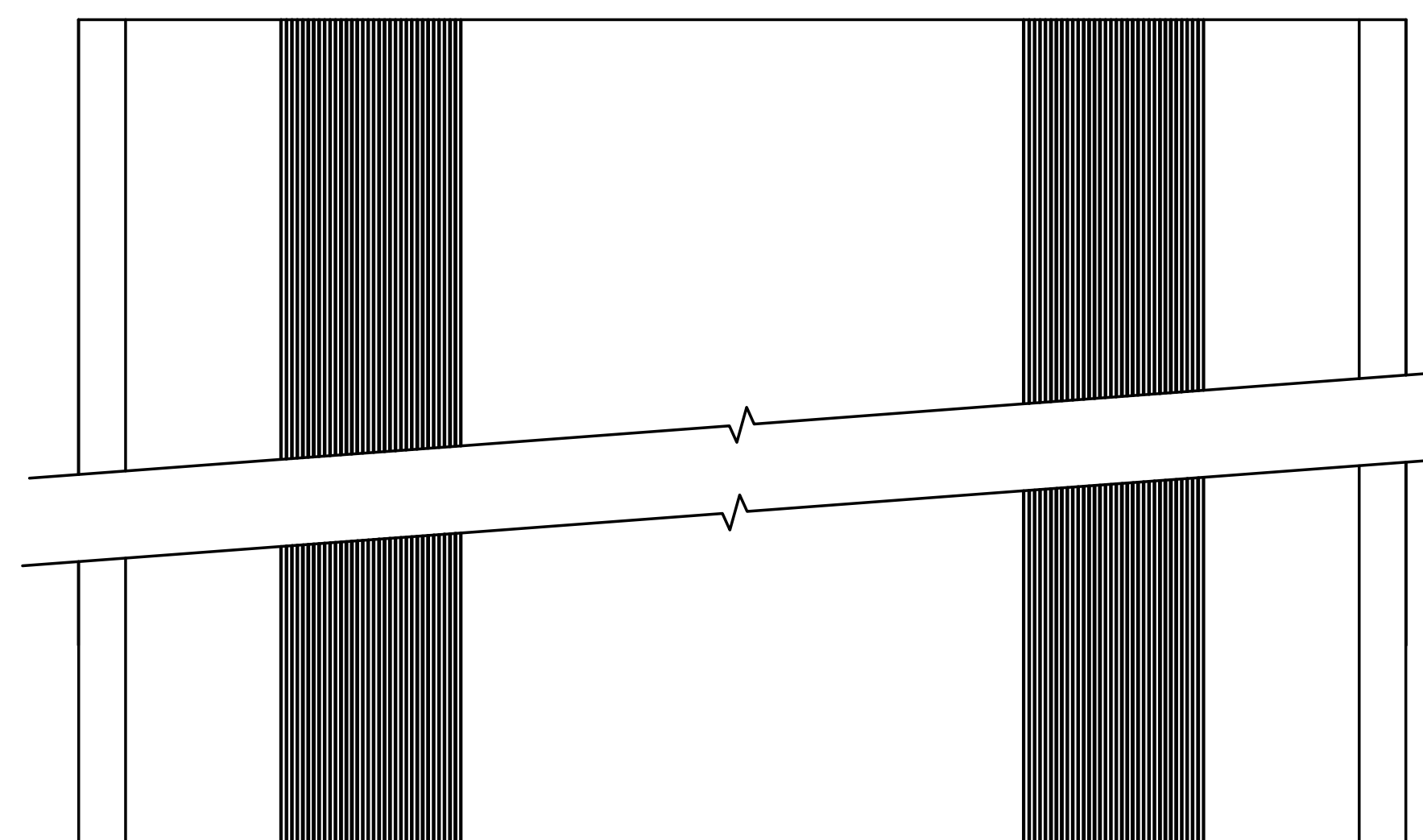
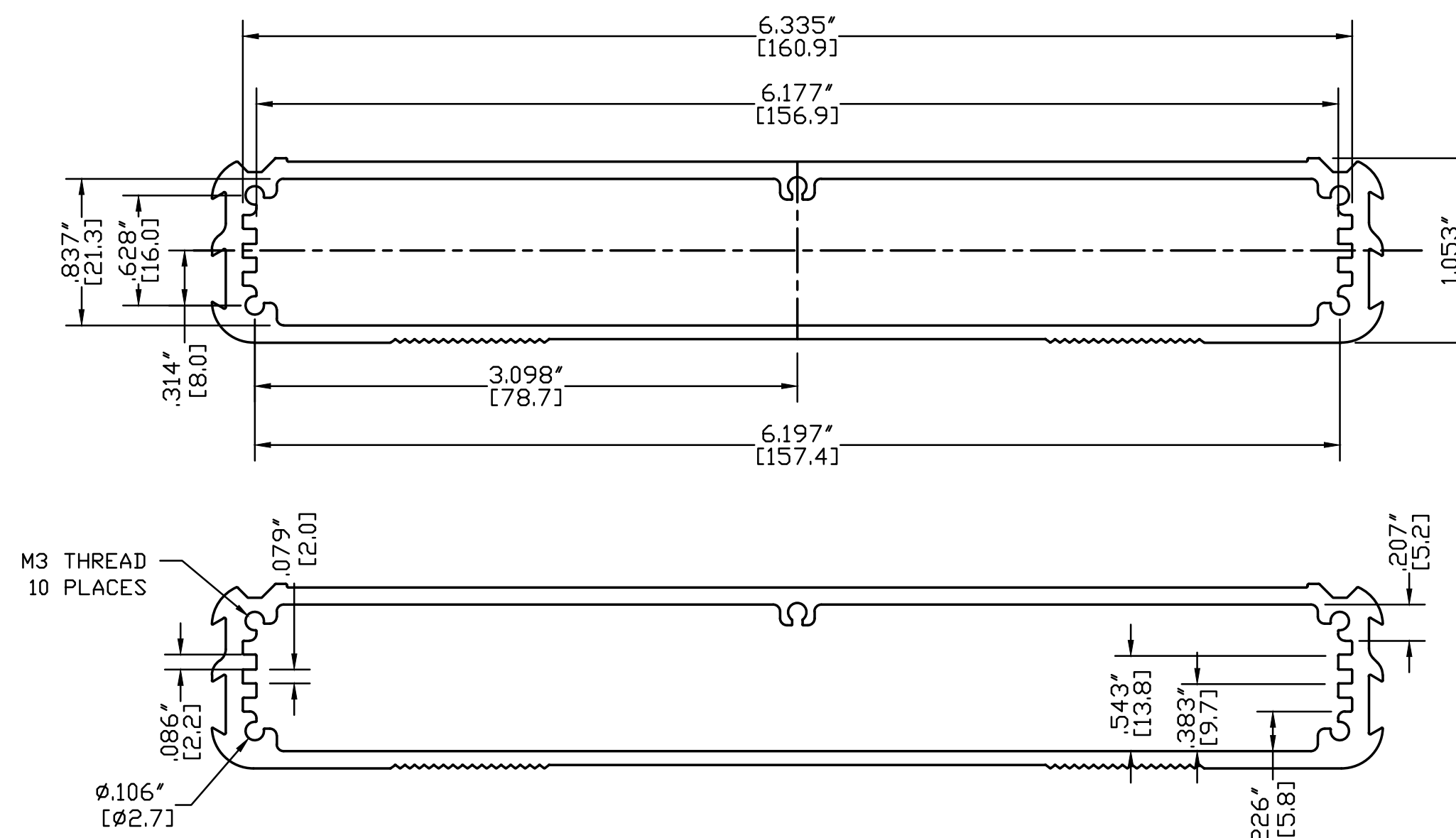
TORX HEAD SCREW



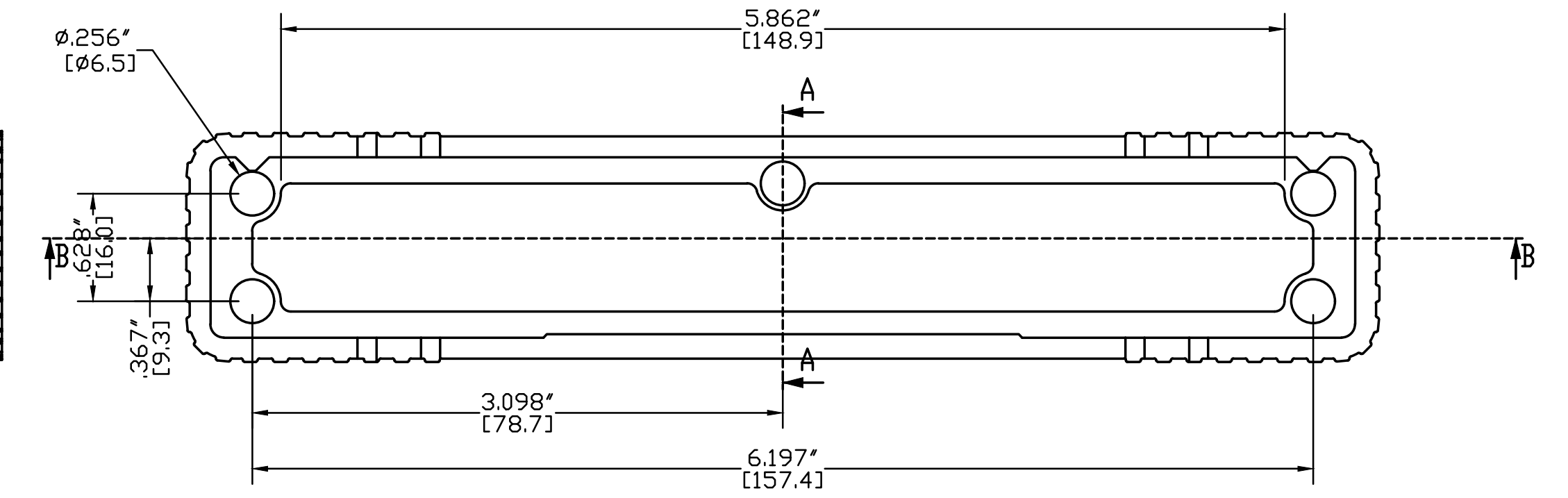
SEALING WASHER



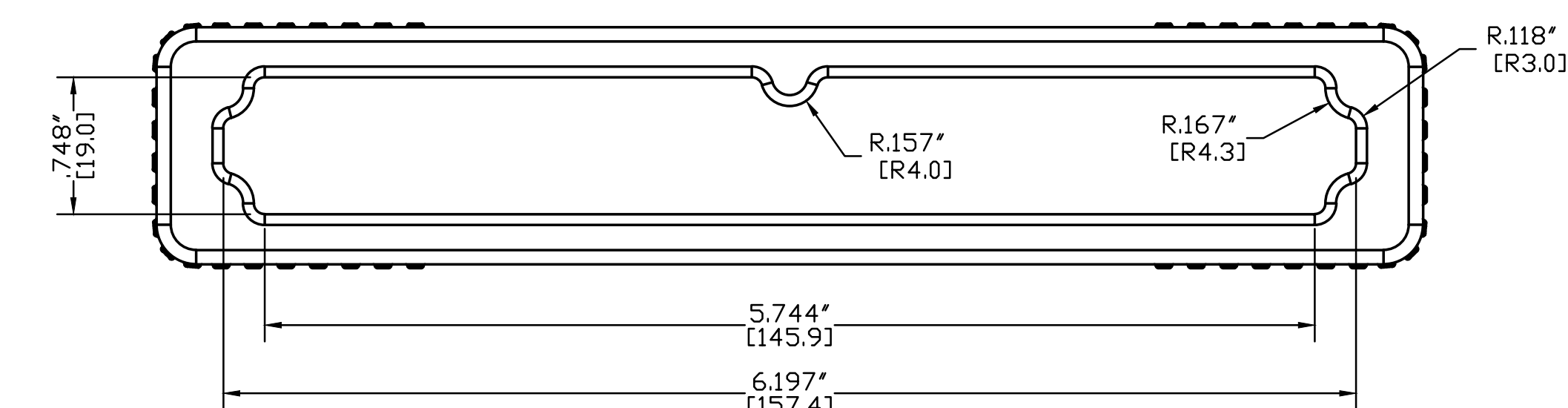
ENCLOSURE PROFILE



SECTION A-A



SECTION B-B



EC4S-END CAP
OPTIONAL ACCESSORY

Mounting Flanges
Optional Accessory
(Sold individually)

40 mm Mounting Flange Part #	Color
MF40-BK	Black
MF40-BL	Blue
MF40-GD	Gold
MF40-GR	Green
MF40-RD	Red
MF40-SI	Silver

COLOR LEGEND			
Part #	Anodized Color	80 mm Mounting Flange Part #	Color
B4S-160 BK	Black	MF80-BK	Black
B4S-160 BL	Blue	MF80-BL	Blue
B4S-160 GD	Gold	MF80-GD	Gold
B4S-160 GR	Green	MF80-GR	Green
B4S-160 RD	Red	MF80-RD	Red
B4S-160 SI	Silver	MF80-SI	Silver

Optional End Caps (sold in pairs)	
Part #	Color
EC-4SBK	Black
EC-4SBL	Blue
EC-4SGN	Green
EC-4SRD	Red
EC-4SGY	Gray

Sealing Kit - Optional Accessory	
Part #	Description
SK-3	NEM 4/IP65 Sealing kit for ALL B-3 Series Enclosures

Title: B4S-160 MASTER DRAWING		Dwg. No.:	Part No.:
Material: Aluminum 6063-T6(HE9)	DIMENSIONS ARE IN INCHES [MM] TOLERANCES ARE DECIMALS .X = ±.02 DECIMALS .XX = ±.01 DECIMALS .XXX = ±.005 ANGLES = ± 2°	Color:	Drn. Date Rudy 9/10/2019
Finish: Anodized BS 1615		Qty:	Chk. Date
Proj.		Sheet	App. Date of