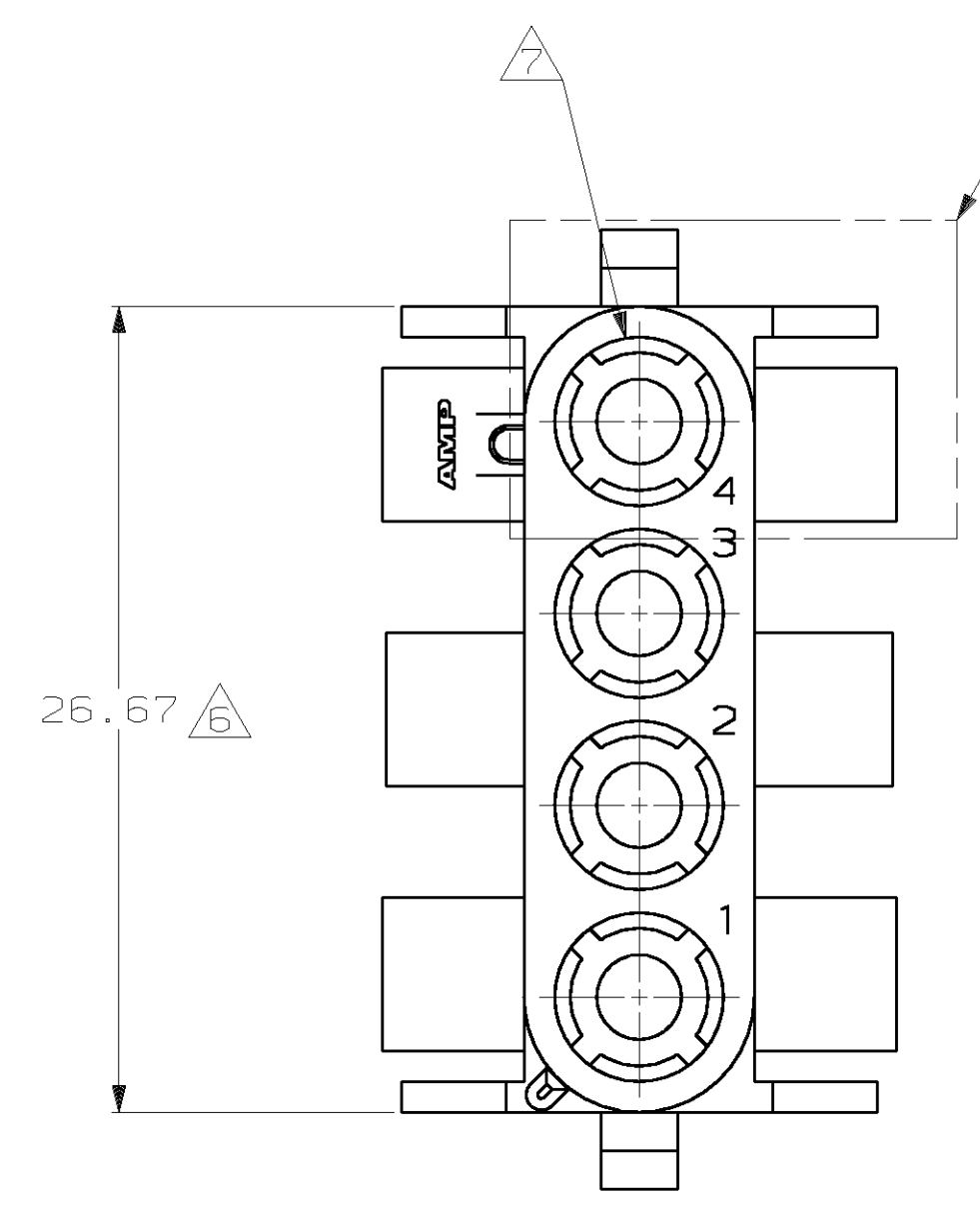
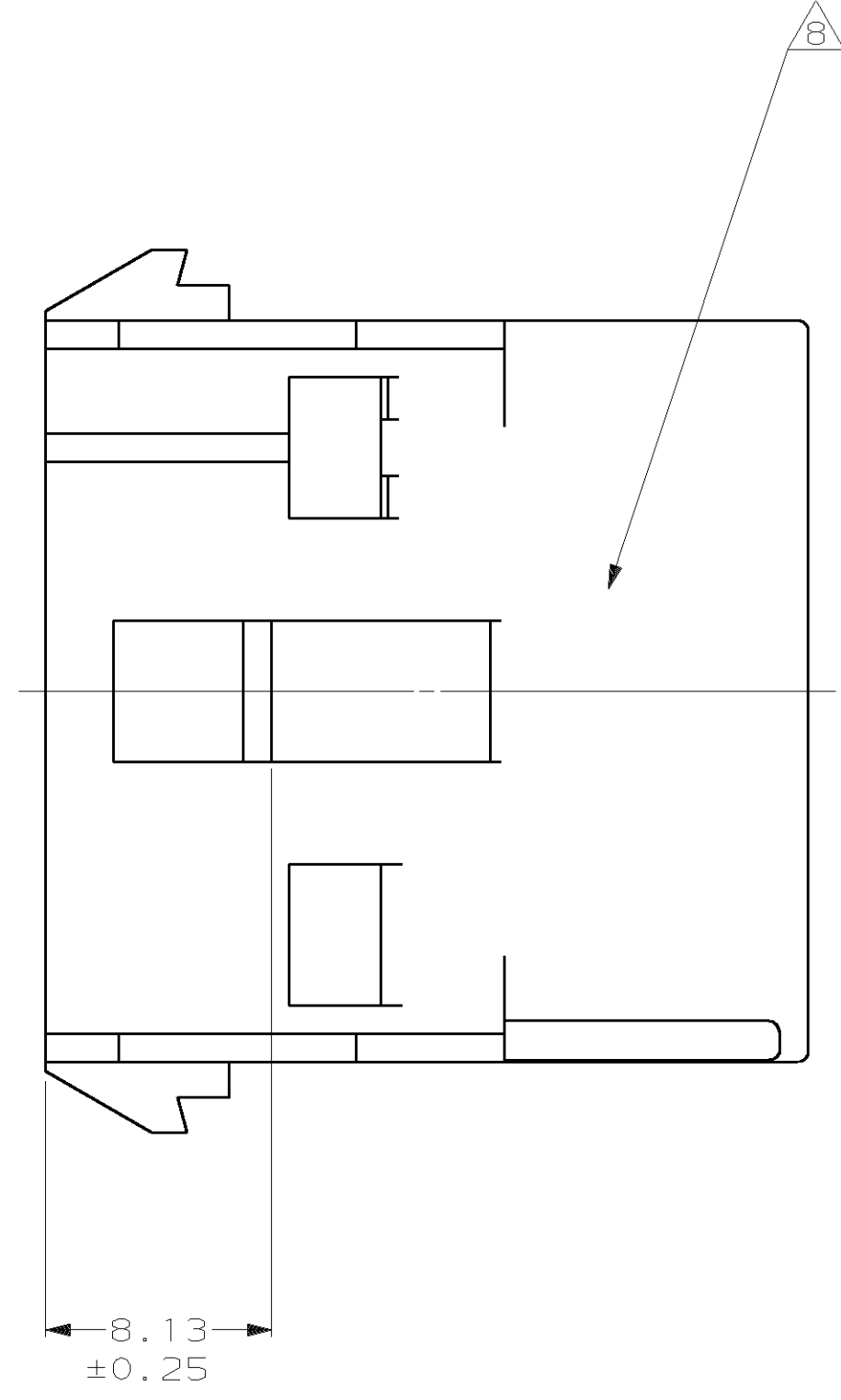
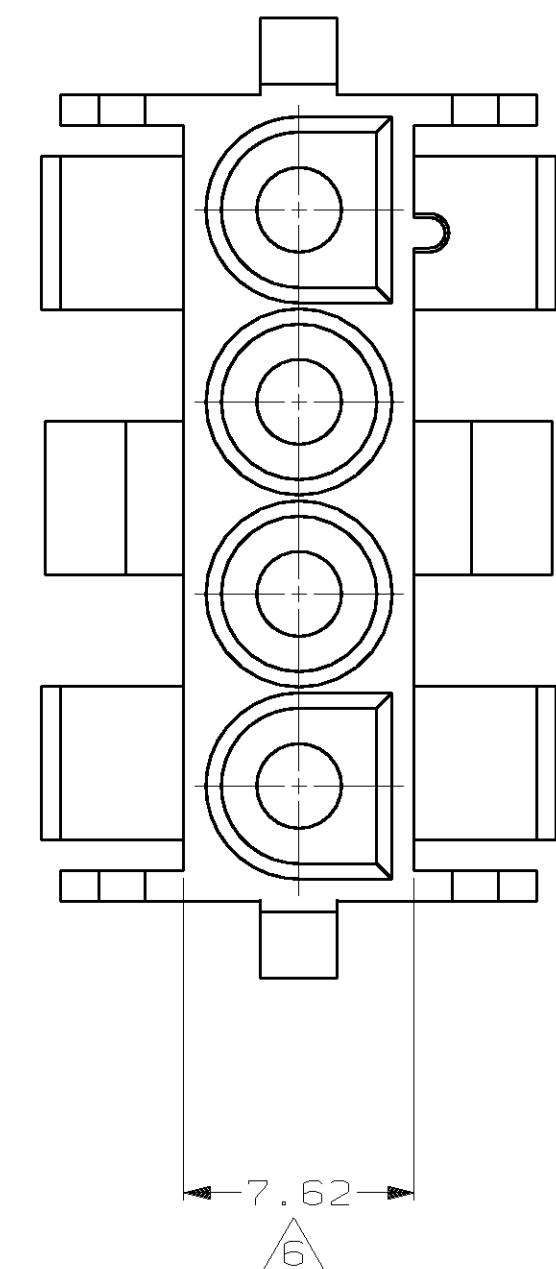
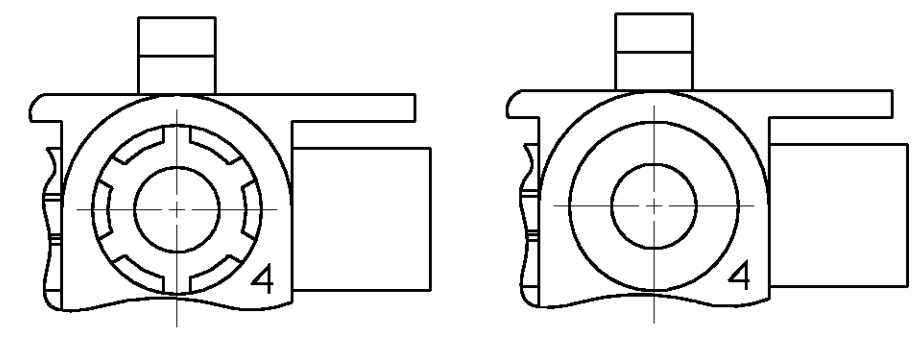


LOC		DIST		P		ZONE		LTR		REVISIONS		DATE	APPD
CM	53									V	REV PER EC 0G1B-0229-98	17-FEB-99	JH RS

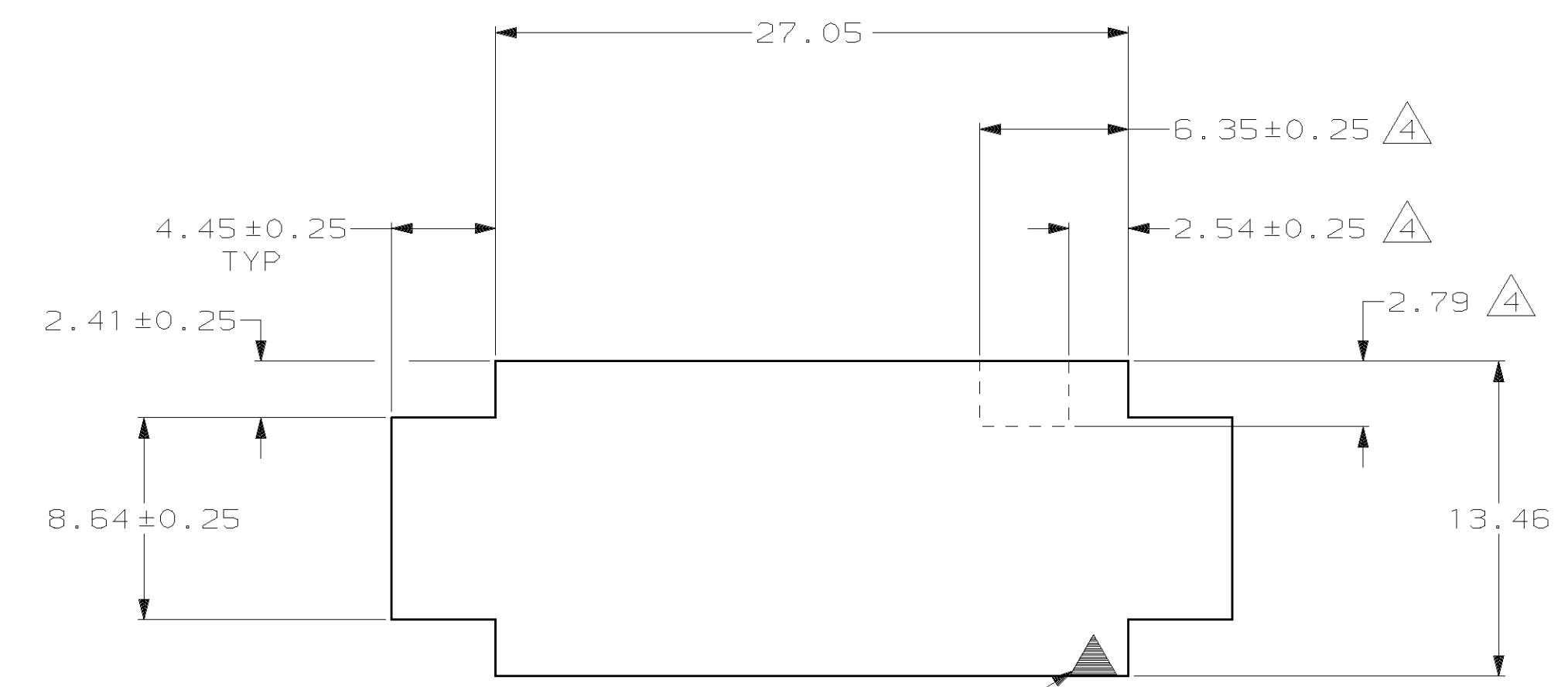
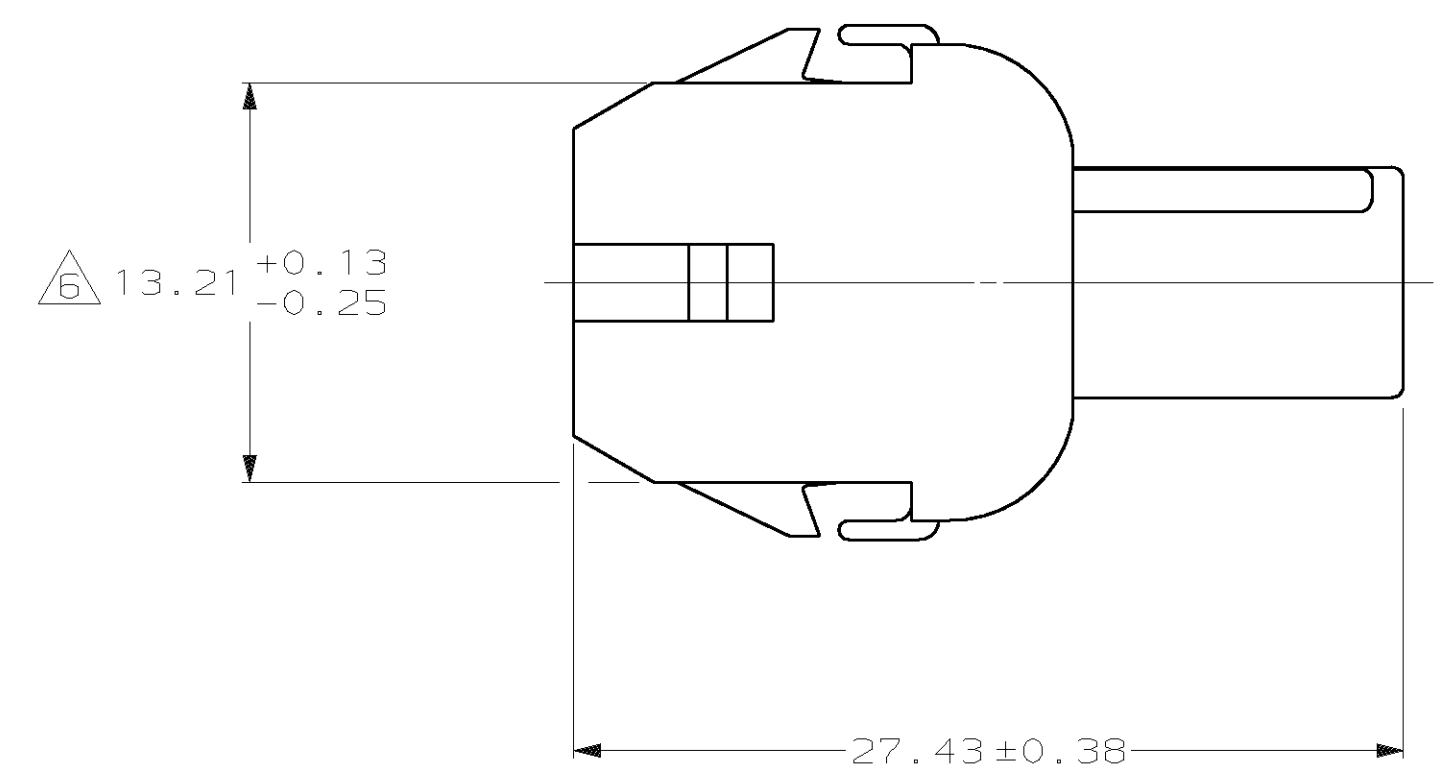


SEE DETAIL A

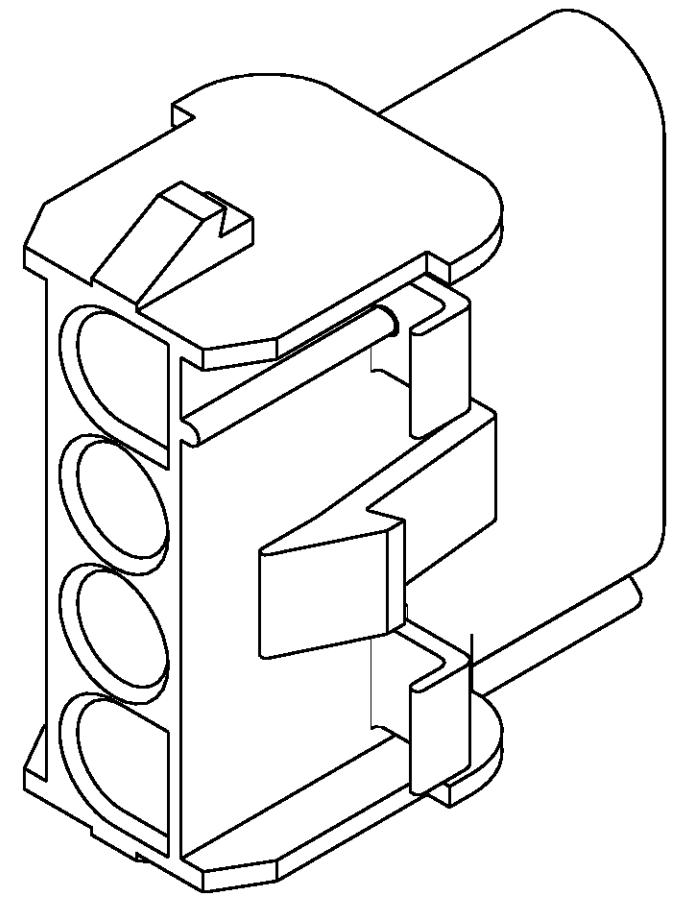
- MATES WITH APPROPRIATE UNIVERSAL MATE-N-LOK™ PLUG.
 - RECOMMENDED PANEL THICKNESS 0.76 - 2.29.
 - PANEL MUST BE PUNCHED SO THAT THE HOUSING ENTERS THE PANEL IN THE SAME DIRECTION AS THE PUNCH.
- △4 OPTIONAL FOR KEYING HOUSING IN PANEL.
 - △5 CIRCUIT NUMBER 1 LOCATION.
 - △6 DIMENSION INDICATED IS AS MOLDED. ADDITIONAL GROWTH DUE TO SUBSEQUENT MOISTURE ABSORPTION MAY OCCUR.
 - △7 FOUR RIBS EQUALLY SPACED, NO SPECIFIC ORIENTATION. NO RIBS OR SIX RIBS EQUALLY SPACED, NO SPECIFIC ORIENTATION, OPTIONAL.
 - △8 UNDERWRITERS RECOGNIZED COMPONENT LOGO AND CSA CERTIFICATION LOGO TO BE LOCATED ONCE EACH ON SIDE OF HOUSING.



DETAIL A
 OPTIONAL CONSTRUCTIONS



RECOMMENDED PANEL CUT OUT



3-DIMENSIONAL MODEL
 NTS

4.45	.175	27.43	1.080
2.79	.110	27.05	1.065
2.54	.100	26.67	1.050
2.41	.095	13.46	.530
2.29	.090	13.21	.520
0.76	.030	8.64	.340
0.38	.015	8.13	.320
0.25	.010	7.62	.300
0.13	.005	6.35	.250
MM	IN	MM	IN

CONVERSION TABLE

METRIC

THIS DRAWING IS A CONTROLLED DOCUMENT FOR AMP INCORPORATED. IT IS SUBJECT TO CHANGE AND THE CONTROLLING ENGINEERING ORGANIZATION SHOULD BE CONTACTED FOR THE LATEST REVISION.

DO NOT SCALE PRINT. UNLESS SPECIFIED DIMENSIONS IN mm [INCHES]		DR 7-15-92 K. WHITAKER		AMP Incorporated Harrisburg, PA 17105-3508	
TOLERANCES ON:		CHK 7-15-92 R. SWING			
2 PLC DEC ± 0.13		APPD 7-20-92 D. SELF		NAME	
3 PLC DEC ± -		APPD 7-20-92 D. SELF		CAP, 4 CIRCUIT, UNIVERSAL MATE-N-LOK™	
ANGLES ± 1°0'		PRODUCT SPEC		SIZE	
MATERIAL		NYLON, UL 94V-0		D 00779	
FINISH		-		CAGE CODE	
-		APPLICATION SPEC		00779	
-		-		DRAWING NO	
-		-		C-350780	
-		WEIGHT		SCALE	
-		-		4:1	
-		-		SHEET	
-		-		1 OF 1	

350780-1
 PART NO