

HOUSING SIZE	CIRCUIT SIZE	DIM. A	DIM. B
6	6	13.21	6.35
6	4	13.21	3.81
6	2	13.21	1.27
8	8	15.24	8.89
8	6	15.24	6.35

"X"=NOT TOOLED	ASSEMBLY ITEM NO.	CONNECTOR SIZE	CIRCUIT SIZE	TERMINAL PLATING	TAPE & REEL PACKAGING No.	VOIDED CIRCUITS
	43743-6001	6	6	A	PK-70873-7001	NA
X	43743-6002	6	6	B		
X	43743-6003	6	6	C		
	43743-6101	6	4	A		
X	43743-6102	6	4	B		
X	43743-6103	6	4	C	PK-70873-7001	
	43743-8101	8	8	A	PK-70873-7002	
X	43743-8102	8	8	B		
X	43743-8103	8	8	C		
X	43743-8201	8	6	A		
X	43743-8202	8	6	B		
X	43743-8203	8	6	C		
X	43743-8301	8	4	A		
X	43743-8302	8	4	B		
X	43743-8303	8	4	C	PK-70873-7002	
	43743-6201	6	2	A	PK-70873-7001	
X	43743-6202	6	2	B	PK-70873-7001	
X	43743-6203	6	2	C	PK-70873-7001	NA

NOTES:

1) MATERIAL:  
HOUSING & INSULATOR: NYLON(PA), GLASS FILLED, UL94V-0, COLOR: BLACK  
TERMINALS: PHOSPHOR BRONZE, 0.30 mm THICK  
FITTING NAILS: BRASS, 0.25 mm THICK

2) FINISH:  
TERMINALS:  
A = SELECT GOLD IN CONTACT AREA: 0.00127 mm MIN.,  
\*SELECT MATTE TIN IN PC TAIL AREA: 0.00254 mm MIN.,  
WITH OVERALL NICKEL UNDERPLATE: 0.00127 mm MIN.,  
B = SELECT GOLD IN CONTACT AREA: 0.00076mm MIN.,  
\*SELECT MATTE TIN IN PC TAIL AREA: 0.00254 mm MN.,  
WITH OVERALL NICKEL UNDERPLATE: 0.00127 mm MIN.,  
C = SELECT GOLD IN CONTACT AREA: 0.00038 mm MIN.,  
\*SELECT MATTE TIN IN PC TAIL AREA: 0.00254 mm MIN.,  
WITH OVERALL NICKEL UNDERPLATE: 0.00127 mm MIN..

FITTING NAILS:  
\*2.54 MICROMETER MATTE TIN OVER 1.27 MICROMETER NICKEL UNDERPLATE  
\*THE PRIMARY SHIPPING CARTON WILL BE LABELED "COMPLIANT TO RoHS DIRECTIVE 2002/95/EC AND ELV ANNEX II OF DIRECTIVE 2000/53/EC".  
CARTONS WITHOUT THIS LABEL MAY CONTAIN PRODUCT WITH TIN-LEAD IN THE PC TAILS AND/OR FITTING NAILS.

3) PRODUCT SPECIFICATION AND PROCESSING PARAMETERS: PS-43743-0001.

4) PACKAGING SPECIFICATION:  
CONNECTOR ASSEMBLIES TO BE PACKAGED USING TAPE & REEL SYSTEM.

5) COPLANARITY SPECIFICATION:  
WHEN AN ASSEMBLY IS PLACED UPON A LEVEL SURFACE, THE MAXIMUM GAP BETWEEN THE LEVEL SURFACE AND ALL TERMINAL TAILS AND BOTH FITTING NAILS IS 0.15 mm.

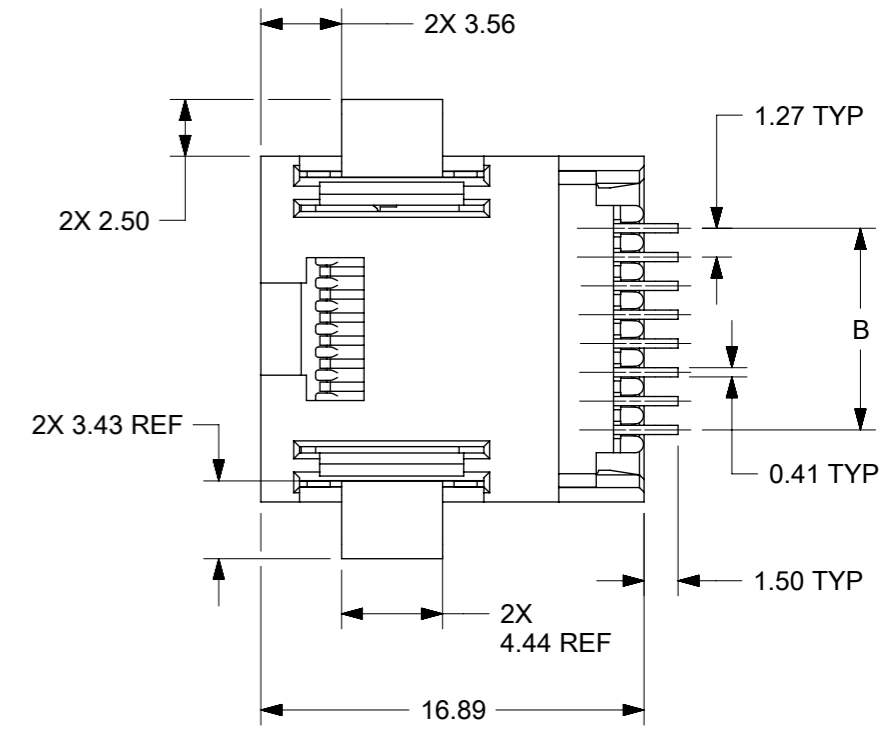
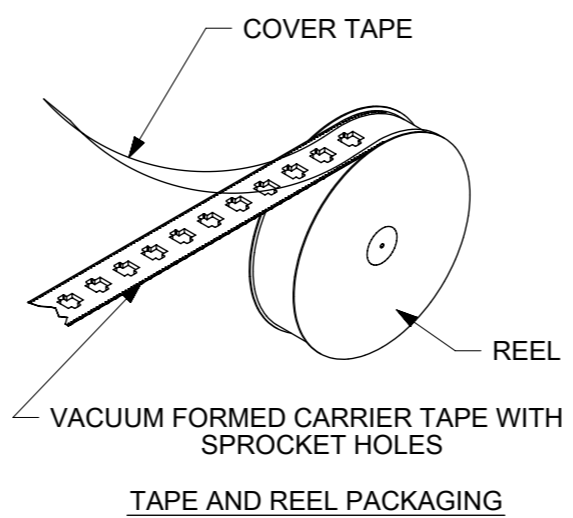
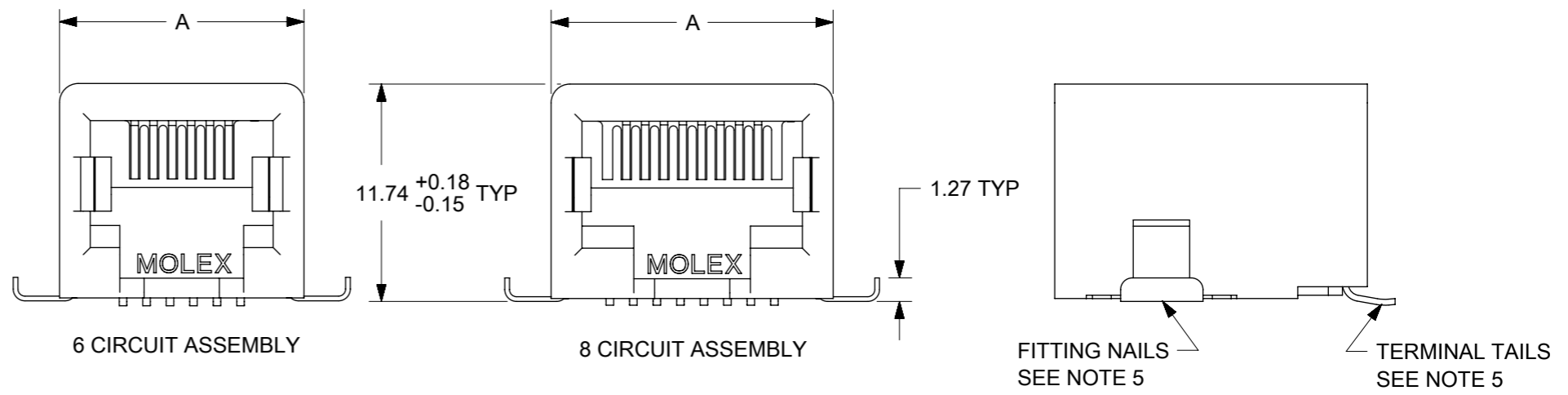
6) FOR ASSEMBLIES HAVING VOIDED CIRCUITS, THE TAIL PORTION IS CUT AND REMOVED. THE MATING PORTION OF THE TERMINAL REMAINS INTACT. VOIDED CIRCUITS MUST BE THE SAME FOR BOTH PARTS.

7) CONFORMS TO FCC REGULATION PART 68.5 FOR MODULAR JACKS.

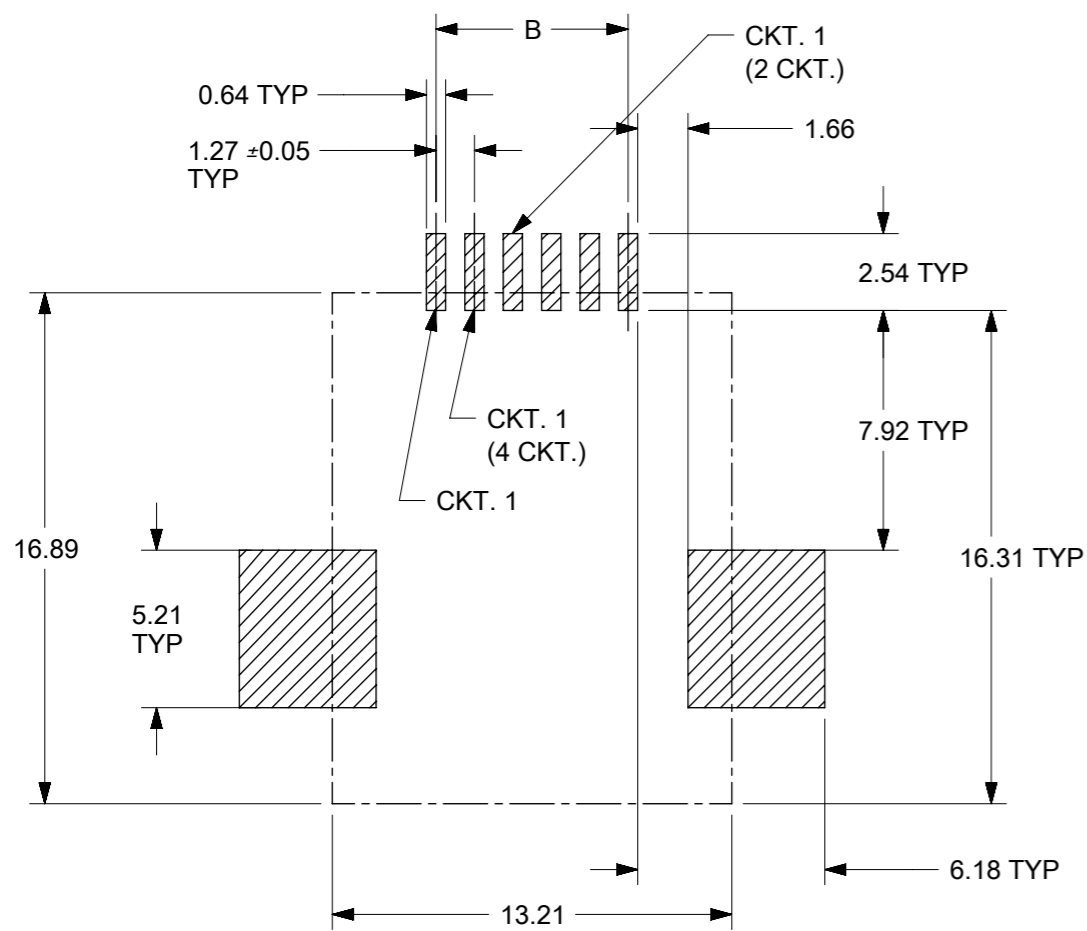
8) THIS PART CONFORMS TO CLASS B REQUIREMENTS OF COSMETIC SPECIFICATION PS-45499-002.

9) REBUILT FROM SDA-43743-xxxx.

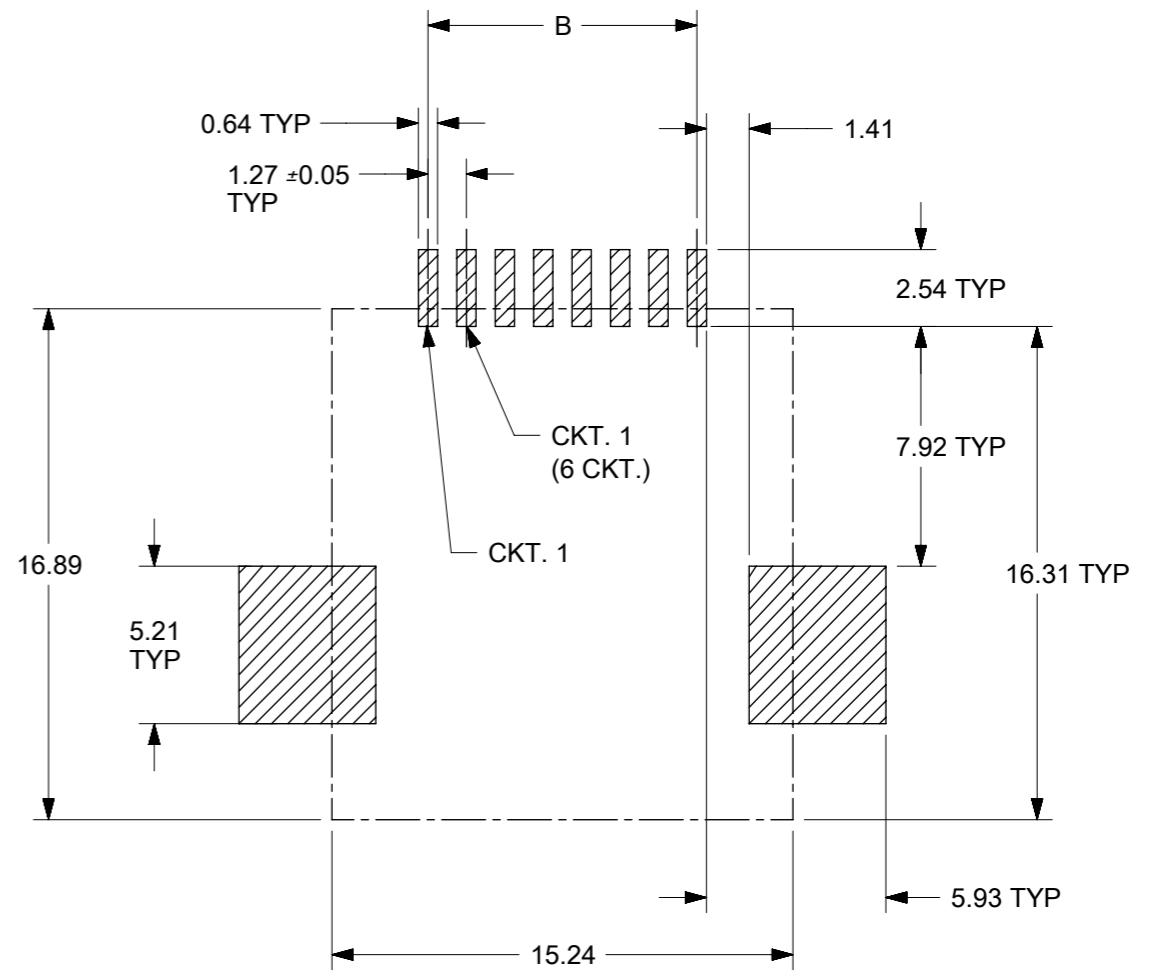
DOCUMENT STATUS	P1	RELEASE DATE	2020/04/09	17:09:42
-----------------	----	--------------	------------	----------



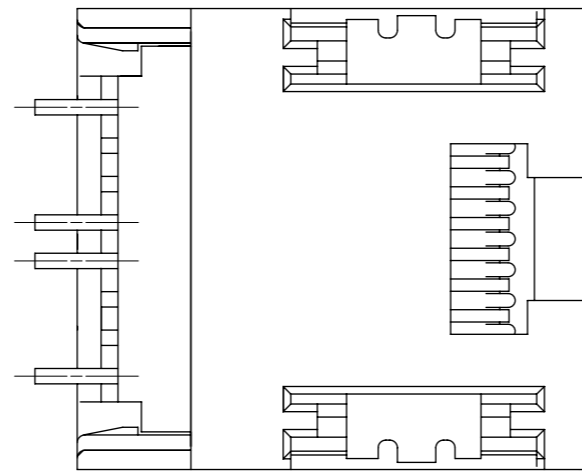
SYMBOLS	THIS DRAWING CONTAINS INFORMATION THAT IS PROPRIETARY TO MOLEX ELECTRONIC TECHNOLOGIES, LLC AND SHOULD NOT BE USED WITHOUT WRITTEN PERMISSION		CURRENT REV DESC:		<b>molex</b>
	▽ = 0	mm	SCALE	3:1	
▽ = 0	GENERAL TOLERANCES (UNLESS SPECIFIED)		EC NO: 635599		SURFACE MOUNT MODULAR JACK
▽ = 0	ANGULAR TOL ± 0.5°		DRWN: AFENG02 2020/04/09		
▽ = 0	4 PLACES ±		CHK'D: KLANG 2020/04/09		PRODUCT CUSTOMER DRAWING
▽ = 0	3 PLACES ±		APPR: KLANG 2020/04/09		
▽ = 0	2 PLACES ± 0.25		INITIAL REVISION:		DOCUMENT NUMBER
▽ = 0	1 PLACE ± 0.36		DRWN: VK10 2017/12/04		
▽ = 0	0 PLACES ±		APPR: KLANG 2018/03/23		437438101
▽ = 0	DRAFT WHERE APPLICABLE MUST REMAIN WITHIN DIMENSIONS		THIRD ANGLE PROJECTION		
▽ = 0			DRAWING		DOC TYPE
			A3-SIZE		000
			SERIES		DOC PART
			43743		H2
			MATERIAL NUMBER		REVISION
			SEE TABLE		
			CUSTOMER		
					SHEET NUMBER
					1 OF 2



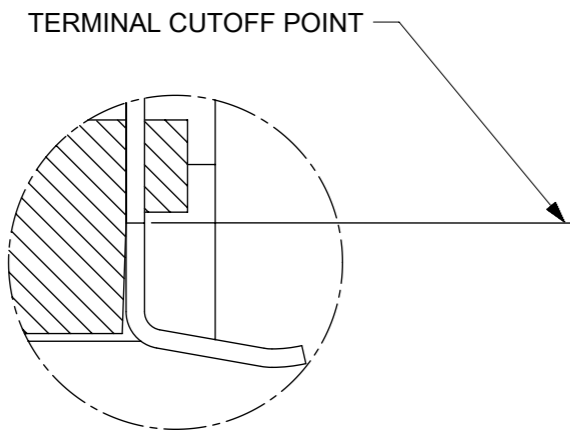
PC BOARD LAYOUT FOR  
6 POSITION HOUSING  
(COMPONENT SIDE OF BOARD)



PC BOARD LAYOUT FOR  
8 POSITION HOUSING  
(COMPONENT SIDE OF BOARD)



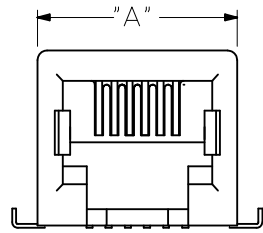
TYPICAL VIEW SHOWING VOIDED CIRCUIT  
(CIRCUITS 2,3,6 & 7 SHOWN VOIDED)



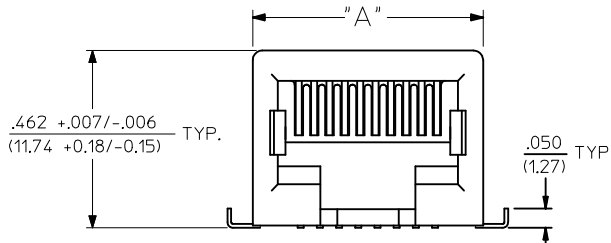
VIEW SHOWING TYPICAL TERMINAL  
CUTOFF OF TAIL (SEE NOTE 5) FOR VOIDED CIRCUITS.

THIS DRAWING CONTAINS INFORMATION THAT IS PROPRIETARY TO MOLEX ELECTRONIC TECHNOLOGIES, LLC AND SHOULD NOT BE USED WITHOUT WRITTEN PERMISSION										
SYMBOLS	DIMENSION UNITS	SCALE	CURRENT REV DESC:							
	mm	1:1	<b>molex</b> SURFACE MOUNT MODULAR JACK							
GENERAL TOLERANCES (UNLESS SPECIFIED)										EC NO: 635599 DRWN: AFENG02 2020/04/09 CHK'D: KLANG 2020/04/09 APPR: KLANG 2020/04/09
▽ = 0	ANGULAR TOL ± 0.5°		PRODUCT CUSTOMER DRAWING							
▽ = 0	4 PLACES ±		INITIAL REVISION:							
▽ = 0	3 PLACES ±		DRWN: VK10 2017/12/04							
▽ = 0	2 PLACES ± 0.25		APPR: KLANG 2018/03/23							
▽ = 0	1 PLACE ± 0.36		DOCUMENT NUMBER							
▽ = 0	0 PLACES ±		437438101							
□ = 0	DRAFT WHERE APPLICABLE MUST REMAIN WITHIN DIMENSIONS		THIRD ANGLE PROJECTION	DRAWING	SERIES	MATERIAL NUMBER	CUSTOMER	DOC TYPE	DOC PART	REVISION
▽ = 0			A3-SIZE	43743	SEE TABLE	PSD	000	H2	SHEET NUMBER	
										2 OF 2

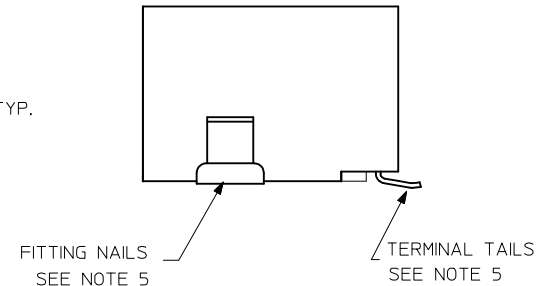
HOUSING SIZE	CIRCUIT SIZE	DIM. A	DIM. B
6	6	.520 (13.21)	.250 (6.35)
6	4	.520 (13.21)	.150 (3.81)
6	2	.520 (13.21)	.050 (1.27)
8	8	.600 (15.24)	.350 (8.89)
8	6	.600 (15.24)	.250 (6.35)



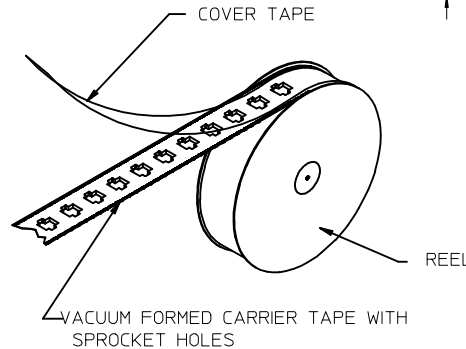
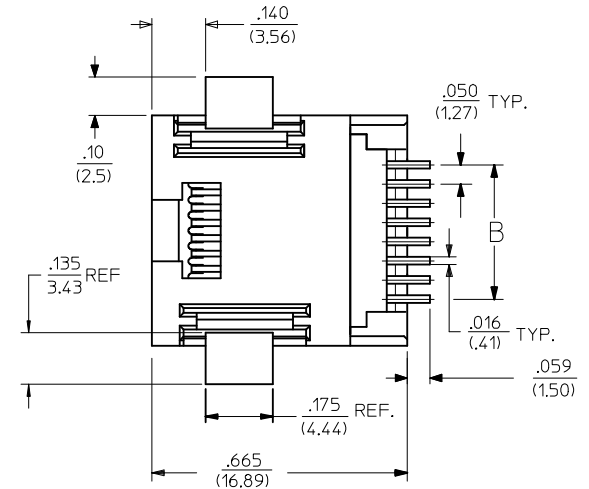
6 CIRCUIT ASSEMBLY



8 CIRCUIT ASSEMBLY



*X*=NOT TOOLED	ASSEMBLY ITEM NO.	CONNECTOR SIZE	CIRCUIT SIZE	TERMINAL PLATING	TAPE & REEL PACKAGING No.	VOIDED CIRCUITS
	43743-6001	6	6	A	PK-70873-7001	NA
X	43743-6002	6	6	B		
X	43743-6003	6	6	C		
	43743-6101	6	4	A		
X	43743-6102	6	4	B		
X	43743-6103	6	4	C	PK-70873-7001	
	43743-8101	8	8	A	PK-70873-7002	
X	43743-8102	8	8	B		
X	43743-8103	8	8	C		
X	43743-8201	8	6	A		
X	43743-8202	8	6	B		
X	43743-8203	8	6	C		
X	43743-8301	8	4	A		
X	43743-8302	8	4	B		
X	43743-8303	8	4	C	PK-70873-7002	
	43743-6201	6	2	A	PK-70873-7001	
X	43743-6202	6	2	B	PK-70873-7001	
X	43743-6203	6	2	C	PK-70873-7001	NA



TAPE AND REEL PACKAGING

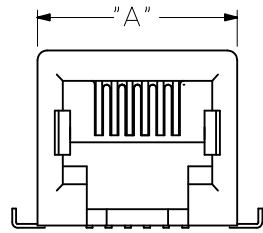
NOTES:

- MATERIAL:  
HOUSING & INSULATOR: NYLON(PA), GLASS FILLED, UL94V-0, COLOR: BLACK  
TERMINALS: PHOSPHOR BRONZE, .012/(0.30) THICK  
FITTING NAILS: BRASS, .010/(0.25) THICK
- FINISH:  
TERMINALS:  
A = SELECT GOLD IN CONTACT AREA: .000050/(0.00127) MIN.,  
\*SELECT MATTE TIN IN PC TAIL AREA: .000100/(0.00254) MN.,  
WITH OVERALL NICKEL UNDERPLATE: .000050/(0.00127) MIN.,  
B = SELECT GOLD IN CONTACT AREA: .000030/(0.00076) MIN.,  
\*SELECT MATTE TIN IN PC TAIL AREA: .000100/(0.00254) MN.,  
WITH OVERALL NICKEL UNDERPLATE: .000050/(0.00127) MIN.,  
C = SELECT GOLD IN CONTACT AREA: .000015/(0.00038) MIN.,  
\*SELECT MATTE TIN IN PC TAIL AREA: .000100/(0.00254) MN.,  
WITH OVERALL NICKEL UNDERPLATE: .000050/(0.00127) MIN.
- FITTING NAILS:  
\*100 MICROINCHES MATTE TIN OVER 50 MICROINCHES NICKEL UNDERPLATE  
\*THE PRIMARY SHIPPING CARTON WILL BE LABELED 'COMPLIANT TO RoHS DIRECTIVE 2002/95/EC AND ELV ANNEX II OF DIRECTIVE 2000/53/EC'. CARTONS WITHOUT THIS LABEL MAY CONTAIN PRODUCT WITH TIN-LEAD IN THE PC TAILS AND/OR FITTING NAILS.
- PRODUCT SPECIFICATION AND PROCESSING PARAMETERS: PS-43743-0001.
- PACKAGING SPECIFICATION:  
CONNECTOR ASSEMBLIES TO BE PACKAGED USING TAPE & REEL SYSTEM.
- COPLANARITY SPECIFICATION:  
WHEN AN ASSEMBLY IS PLACED UPON A LEVEL SURFACE, THE MAXIMUM GAP BETWEEN THE LEVEL SURFACE AND ALL TERMINAL TAILS AND BOTH FITTING NAILS IS .006/(0.15).
- FOR ASSEMBLIES HAVING VOIDED CIRCUITS, THE TAIL PORTION IS CUT AND REMOVED. THE MATING PORTION OF THE TERMINAL REMAINS INTACT. VOIDED CIRCUITS MUST BE THE SAME FOR BOTH PARTS.
- CONFORMS TO FCC REGULATION PART 68.5 FOR MODULAR JACKS.
- THIS PART CONFORMS TO CLASS B REQUIREMENTS OF COSMETIC SPECIFICATION PS-45499-002.

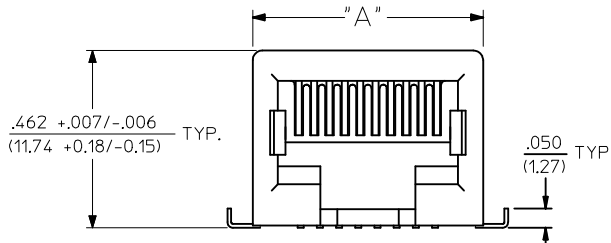
2	H
1	J3
SHT	REV

OBSOLETE PN EC NO: UCP2017-0673 DRAWN: FENGZ 2016/09/22 CHKD: APPR: KLANG 2016/10/10 REV J4	QUALITY SYMBOLS ▽=0 ▽=0	GENERAL TOLERANCES (UNLESS SPECIFIED)	DIMENSION STYLE IN/MM	SCALE INCH	DESIGN UNITS INCH	THIRD ANGLE PROJECTION	
		mm INCH	DRAWN BY PEARSON	DATE 6/18/96	TITLE SURFACE MOUNT MODULAR JACK		
		4 PLACES ± --- ± --- 3 PLACES ± --- ± .010 2 PLACES ± 0.25 ± .014 1 PLACE ± 0.36 ± ---	CHECKED BY PEARSON	DATE 6/18/96			
		ANGULAR ± 1/2°	APPROVED BY EDGLEY	DATE 6/18/96			
	DRAFT WHERE APPLICABLE MUST REMAIN WITHIN DIMENSIONS	SEE CHARTS	MATERIAL NO. DOCUMENT NO.	MOLEX MOLEX INCORPORATED	SDA-43743-****	SHEET NO. 1 OF 2	
THIS DRAWING CONTAINS INFORMATION THAT IS PROPRIETARY TO MOLEX INCORPORATED AND SHOULD NOT BE USED WITHOUT WRITTEN PERMISSION							

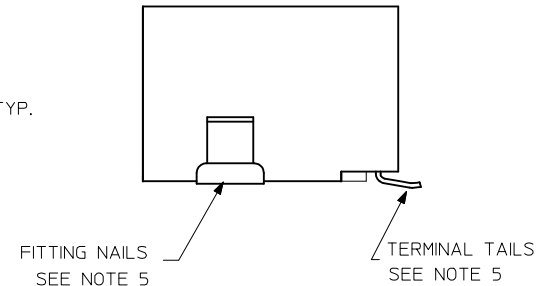
HOUSING SIZE	CIRCUIT SIZE	DIM. A	DIM. B
6	6	.520 (13.21)	.250 (6.35)
6	4	.520 (13.21)	.150 (3.81)
6	2	.520 (13.21)	.050 (1.27)
8	8	.600 (15.24)	.350 (8.89)
8	6	.600 (15.24)	.250 (6.35)



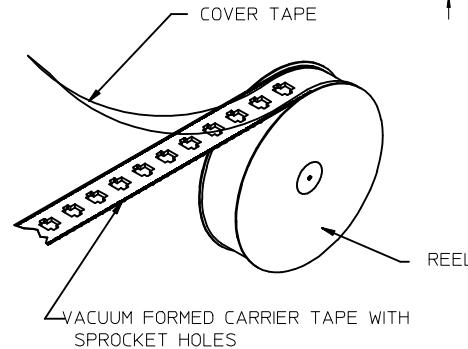
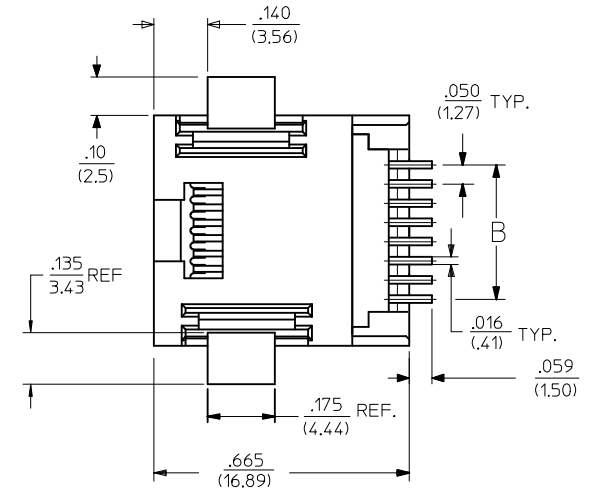
6 CIRCUIT ASSEMBLY



8 CIRCUIT ASSEMBLY



*X*=NOT TOOLED	ASSEMBLY ITEM NO.	CONNECTOR SIZE	CIRCUIT SIZE	TERMINAL PLATING	TAPE & REEL PACKAGING No.	VOIDED CIRCUITS
	43743-6001	6	6	A	PK-70873-7001	NA
X	43743-6002	6	6	B		
X	43743-6003	6	6	C		
	43743-6101	6	4	A		
X	43743-6102	6	4	B		
X	43743-6103	6	4	C	PK-70873-7001	
	43743-8101	8	8	A	PK-70873-7002	
X	43743-8102	8	8	B		
X	43743-8103	8	8	C		
X	43743-8201	8	6	A		
X	43743-8202	8	6	B		
X	43743-8203	8	6	C		
X	43743-8301	8	4	A		
X	43743-8302	8	4	B		
X	43743-8303	8	4	C	PK-70873-7002	
	43743-6201	6	2	A	PK-70873-7001	
X	43743-6202	6	2	B	PK-70873-7001	
X	43743-6203	6	2	C	PK-70873-7001	NA



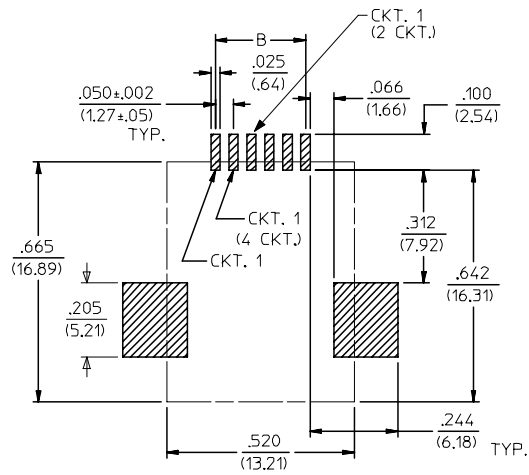
TAPE AND REEL PACKAGING

NOTES:

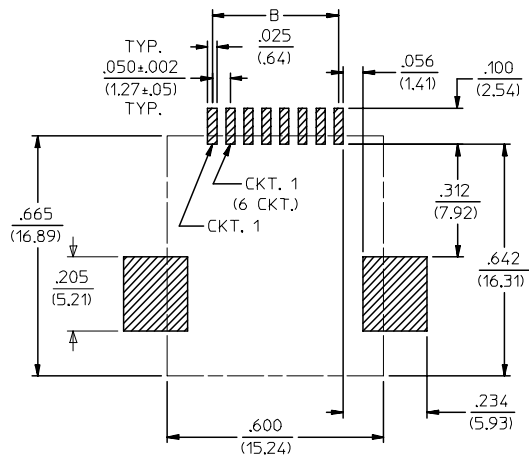
- MATERIAL:  
HOUSING & INSULATOR: NYLON(PA), GLASS FILLED, UL94V-0, COLOR: BLACK  
TERMINALS: PHOSPHOR BRONZE, .012/(0.30) THICK  
FITTING NAILS: BRASS, .010/(0.25) THICK
- FINISH:  
TERMINALS:  
A = SELECT GOLD IN CONTACT AREA: .000050/(0.00127) MIN.,  
\*SELECT MATTE TIN IN PC TAIL AREA: .000100/(0.00254) MN.,  
WITH OVERALL NICKEL UNDERPLATE: .000050/(0.00127) MIN.,  
B = SELECT GOLD IN CONTACT AREA: .000030/(0.00076) MIN.,  
\*SELECT MATTE TIN IN PC TAIL AREA: .000100/(0.00254) MN.,  
WITH OVERALL NICKEL UNDERPLATE: .000050/(0.00127) MIN.,  
C = SELECT GOLD IN CONTACT AREA: .000015/(0.00038) MIN.,  
\*SELECT MATTE TIN IN PC TAIL AREA: .000100/(0.00254) MN.,  
WITH OVERALL NICKEL UNDERPLATE: .000050/(0.00127) MIN.
- FITTING NAILS:  
\*100 MICROINCHES MATTE TIN OVER 50 MICROINCHES NICKEL UNDERPLATE  
\*THE PRIMARY SHIPPING CARTON WILL BE LABELED 'COMPLIANT TO RoHS DIRECTIVE 2002/95/EC AND ELV ANNEX II OF DIRECTIVE 2000/53/EC'. CARTONS WITHOUT THIS LABEL MAY CONTAIN PRODUCT WITH TIN-LEAD IN THE PC TAILS AND/OR FITTING NAILS.
- PRODUCT SPECIFICATION AND PROCESSING PARAMETERS: PS-43743-0001.
- PACKAGING SPECIFICATION:  
CONNECTOR ASSEMBLIES TO BE PACKAGED USING TAPE & REEL SYSTEM.
- COPLANARITY SPECIFICATION:  
WHEN AN ASSEMBLY IS PLACED UPON A LEVEL SURFACE, THE MAXIMUM GAP BETWEEN THE LEVEL SURFACE AND ALL TERMINAL TAILS AND BOTH FITTING NAILS IS .006/(0.15).
- FOR ASSEMBLIES HAVING VOIDED CIRCUITS, THE TAIL PORTION IS CUT AND REMOVED. THE MATING PORTION OF THE TERMINAL REMAINS INTACT. VOIDED CIRCUITS MUST BE THE SAME FOR BOTH PARTS.
- CONFORMS TO FCC REGULATION PART 68.5 FOR MODULAR JACKS.
- THIS PART CONFORMS TO CLASS B REQUIREMENTS OF COSMETIC SPECIFICATION PS-45499-002.

2	H
1	J3
SHT	REV

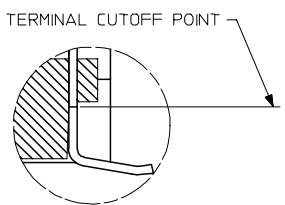
OBSOLETE PN EC NO: UCP2017-0673 DRAWN: FENGZ 2016/09/22 CHKD: APPR: KLANG 2016/10/10 REV	QUALITY SYMBOLS ▽=0 ▽=0	GENERAL TOLERANCES (UNLESS SPECIFIED)	DIMENSION STYLE IN/MM	SCALE	DESIGN UNITS INCH	THIRD ANGLE PROJECTION
		mm INCH	DRAWN BY DATE PEARSON 6/18/96	TITLE SURFACE MOUNT MODULAR JACK		
		4 PLACES ± --- ± --- 3 PLACES ± --- ± .010 2 PLACES ± 0.25 ± .014 1 PLACE ± 0.36 ± ---	CHECKED BY DATE PEARSON 6/18/96	APPROVED BY DATE EDGLEY 6/18/96		
		ANGULAR ± 1/2°	MATERIAL NO. SEE CHARTS	DOCUMENT NO. SDA-43743-****	SHEET NO. 1 OF 2	
DRAFT WHERE APPLICABLE MUST REMAIN WITHIN DIMENSIONS		THIS DRAWING CONTAINS INFORMATION THAT IS PROPRIETARY TO MOLEX INCORPORATED AND SHOULD NOT BE USED WITHOUT WRITTEN PERMISSION				



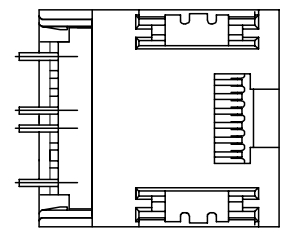
PC BOARD LAYOUT FOR 6 POSITION HOUSING (COMPONENT SIDE OF BOARD)



PC BOARD LAYOUT FOR 8 POSITION HOUSING (COMPONENT SIDE OF BOARD)



VIEW SHOWING TYPICAL TERMINAL CUTOFF OF TAIL (SEE NOTE 5) FOR VOIDED CIRCUITS.



TYPICAL VIEW SHOWING VOIDED CIRCUIT (CIRCUITS 2,3,6 & 7 SHOWN VOIDED)

SEE SHEET ONE EC NO: UCP2004-0798 DRWN:LSCHMIDT 2004/01/05 CHKD:LSCHMIDT 2004/01/05 APPR:FSMITH 2004/01/08	QUALITY SYMBOLS	GENERAL TOLERANCES (UNLESS SPECIFIED)	SCALE --- INCH	DESIGN UNITS INCH	THIRD ANGLE PROJECTION	REVISE ON CAD ONLY
	▽ = 0 ▽ = 0	4 PLACES ± --- ± --- 3 PLACES ± --- ± .010 2 PLACES ± 0.25 ± .014 1 PLACE ± 0.36 ± --- ANGULAR ±1/2°	DIMENSION STYLE IN/MM		TITLE	
			DRAWN BY PEARSON DATE 06/18/96		SURFACE MOUNT MODULAR JACK MOLEX INCORPORATED	
			CHECKED BY PEARSON DATE 06/18/96			
REV	DRAFT WHERE APPLICABLE MUST REMAIN WITHIN DIMENSIONS	APPROVED BY EDGLEY DATE 06/18/96	MATERIAL NO.	DOCUMENT NO. SEE TABLE SDA-43743-****	SHEET NO. 2 OF 2	