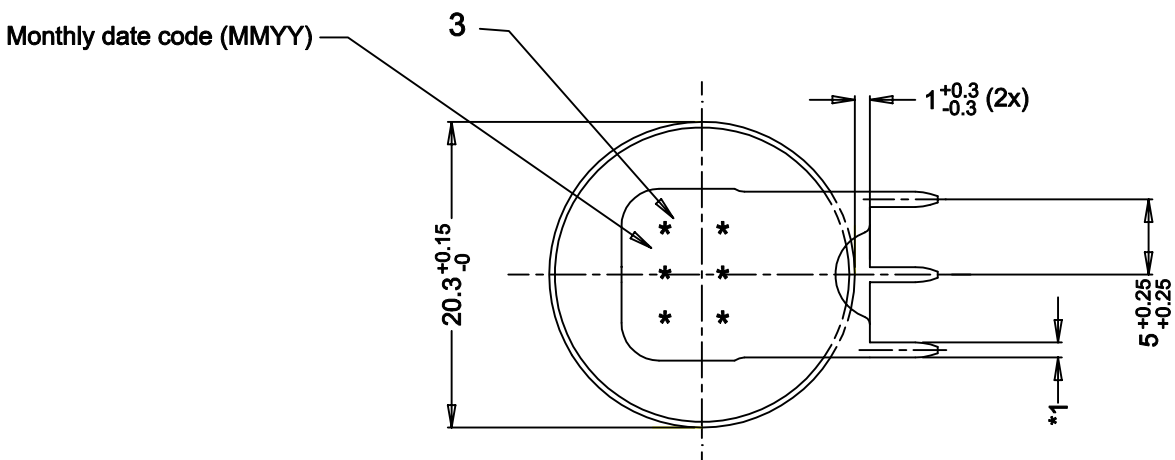
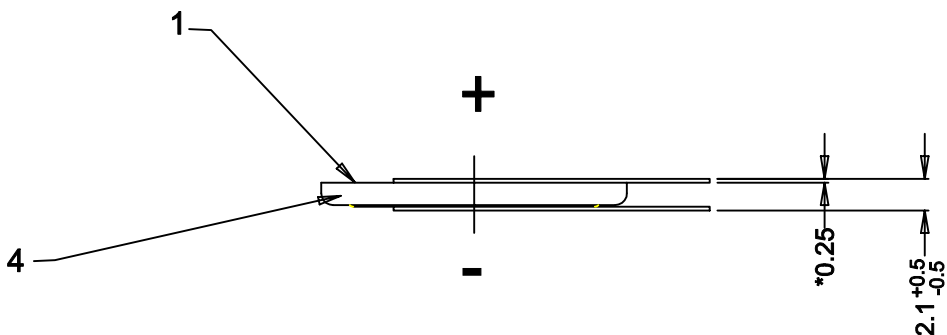
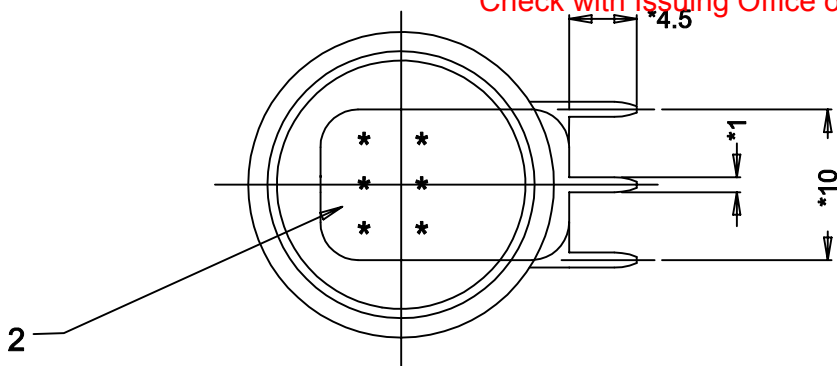


This is a controlled document.
 Hardcopy to be endorsed by authorized person.
 Check with Issuing Office or SAP system for latest update.



Note: * dimension for reference only

No.	Alterations:	Date:	Name:	Dimensions in mm	Material:
1	AO T141/00; to change weld. spot 6 was 4	2000-11-11	Ratna	Tolerance: As specified	Refer to part list no: 004167
2	AO T18/01; To add the date code area for Lithium coin	2001-03-08	Yeni	Projection:	
				Scale: 2 : 1	Description: CR 2016 battery with casing & solder tags
				Date: 2000-07-01 Name: Titis WS	
				Prepared: 2001-	
				Approved: 2001-	

RIGHTS RESERVED TO MAKE TECHNICAL CHANGES, AS A RESULT OF FURTHER DEVELOPMENT, WITHOUT NOTICE. THIS DRAWING IS THE PROPERTY OF VARTA BATTERIES PTE LTD AND MUST NOT BE COPIED OR DISCLOSED TO A THIRD PARTY WITHOUT THE WRITTEN CONSENT OF VARTA BATTERIES PTE LTD.



Dwg. No:	004167	4	0	2
VKB Order No:	06016 201 501			
Released :				