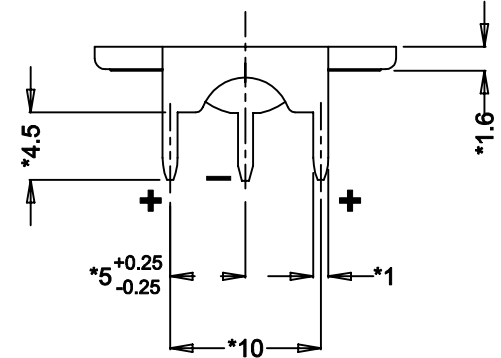
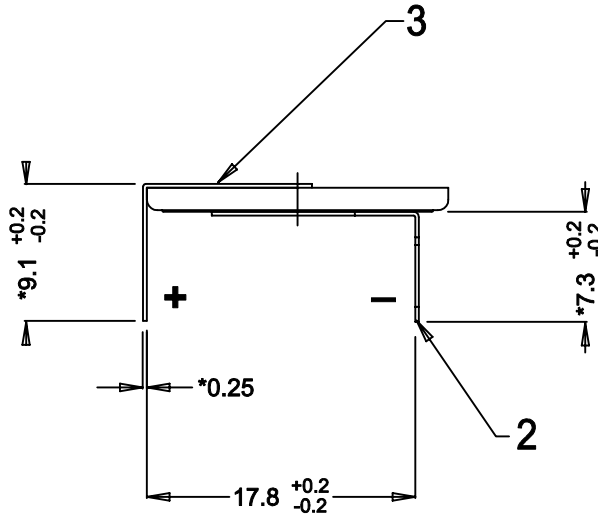
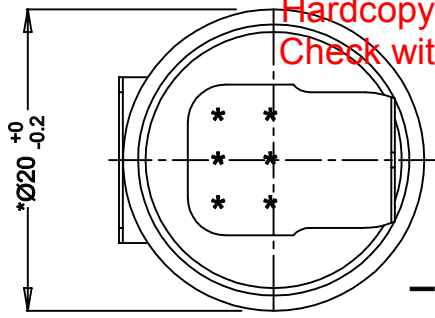


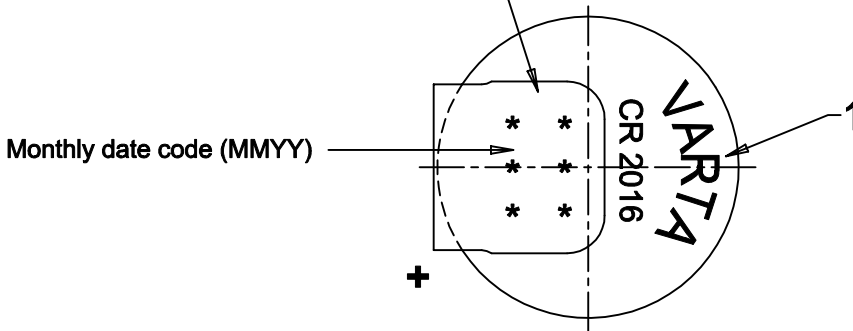
**This is a controlled document.**

Hardcopy to be endorsed by authorized person.

Check with Issuing Office or SAP system for latest update.



This tag positioned over country of origin thus ensuring visibility of cell reference



Monthly date code (MMYY)

Note : \*Dimensions for reference only.

No.	Alterations:	Date:	Name:	Dimensions in mm	Material:
0	Converted from crewkerne dwg	2000-08-29	TitisWS	Tolerance: As specified	Refer to part list no: 003266
1	AO T141/00; to change weld. spot 6 was 4	2000-11-11	Ratna	Projection:	
2	AO T18/01; To add the date code area for Lithium coin	2001-03-08	Yeni	Scale: 2 : 1	
				Date:	Name:
				Prepared:	2000-08-29 TitisWS
				Approved:	2000-

**CR 2016 PCB battery**  
with solder tags

RIGHTS RESERVED TO MAKE TECHNICAL CHANGES, AS A RESULT OF FURTHER DEVELOPMENT, WITHOUT NOTICE. THIS DRAWING IS THE PROPERTY OF VARTA BATTERIES PTE LTD AND MUST NOT BE COPIED OR DISCLOSED TO A THIRD PARTY WITHOUT THE WRITTEN CONSENT OF VARTA BATTERIES PTE LTD.



Dwg. No: **003266** 4 0 2  
VKB Order No: **06016 401 501**  
Released :