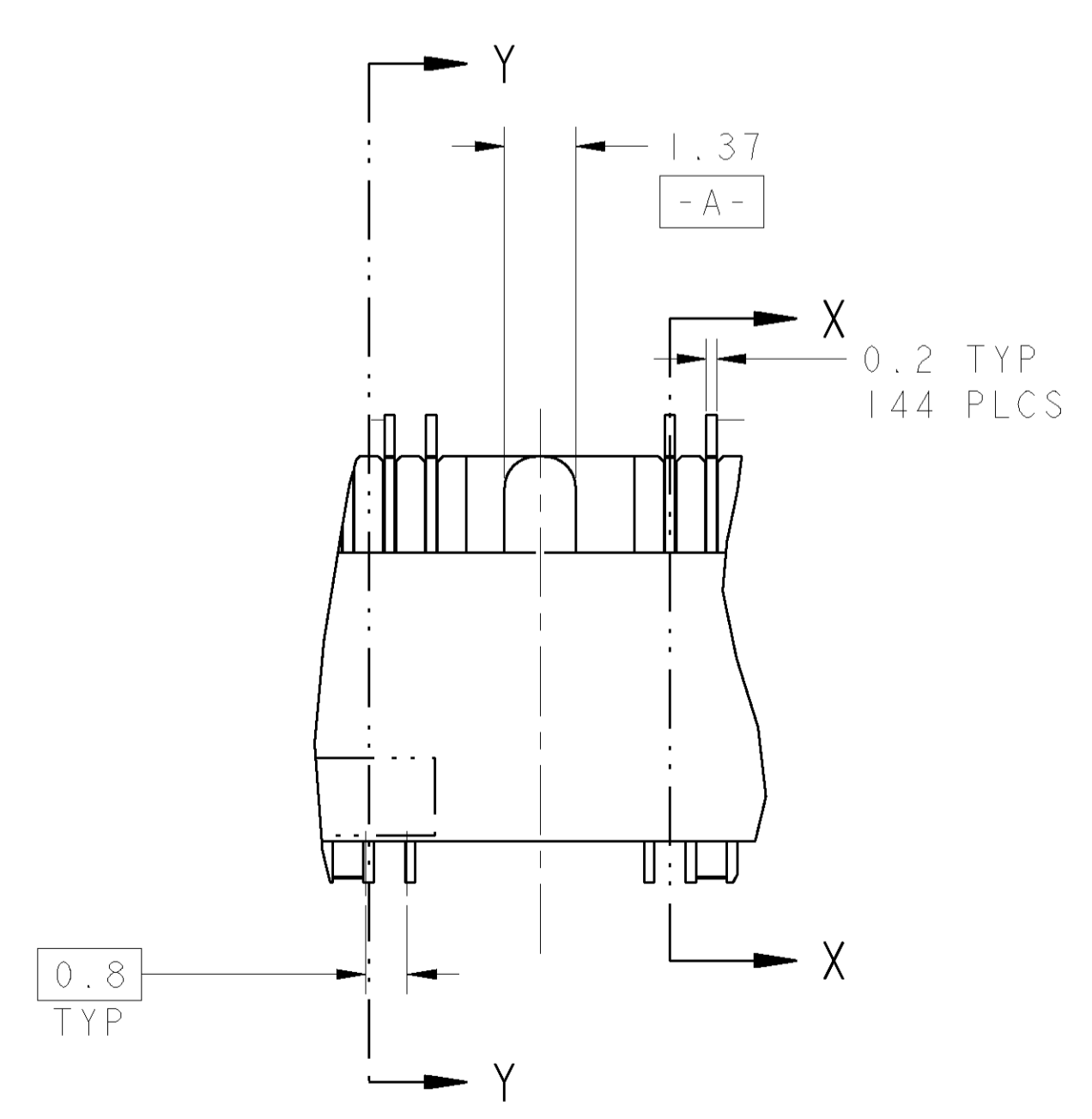
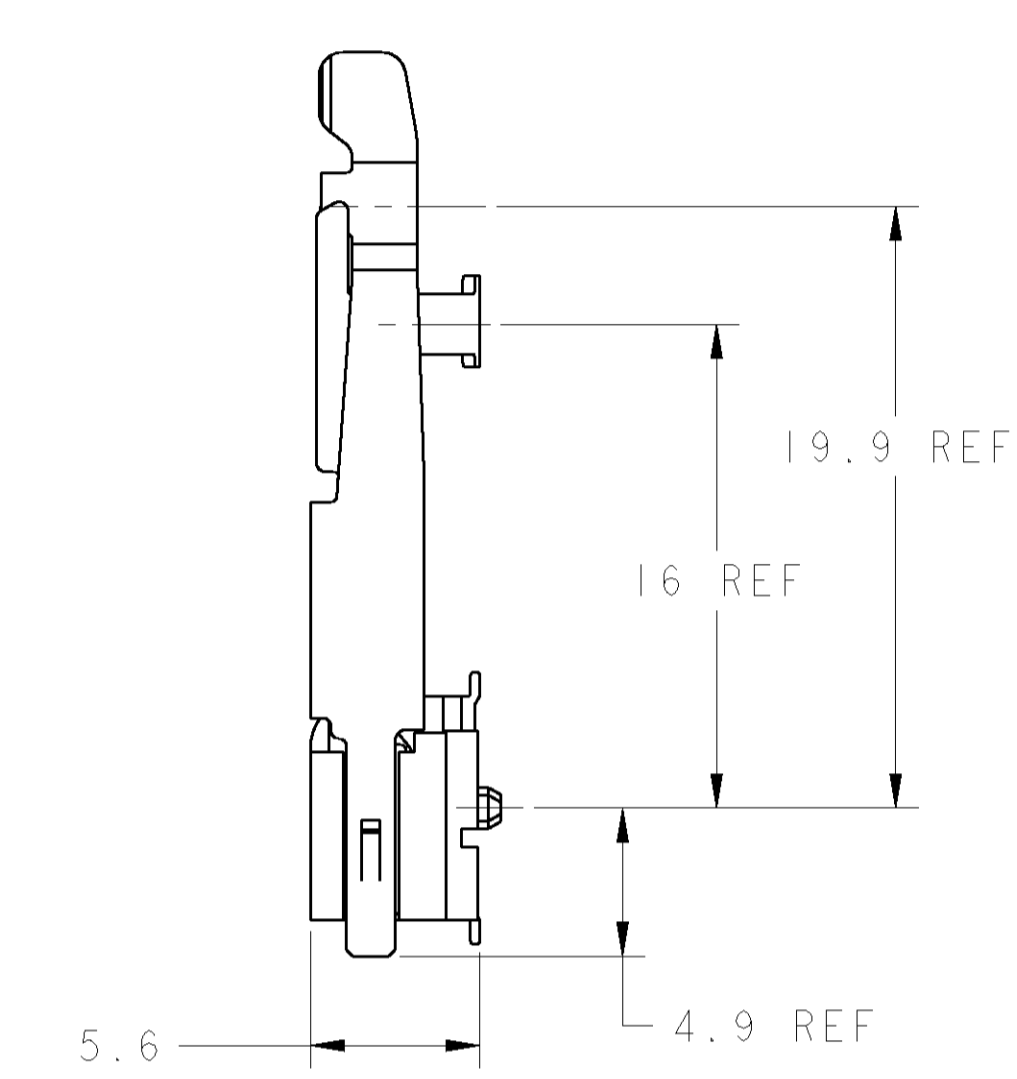
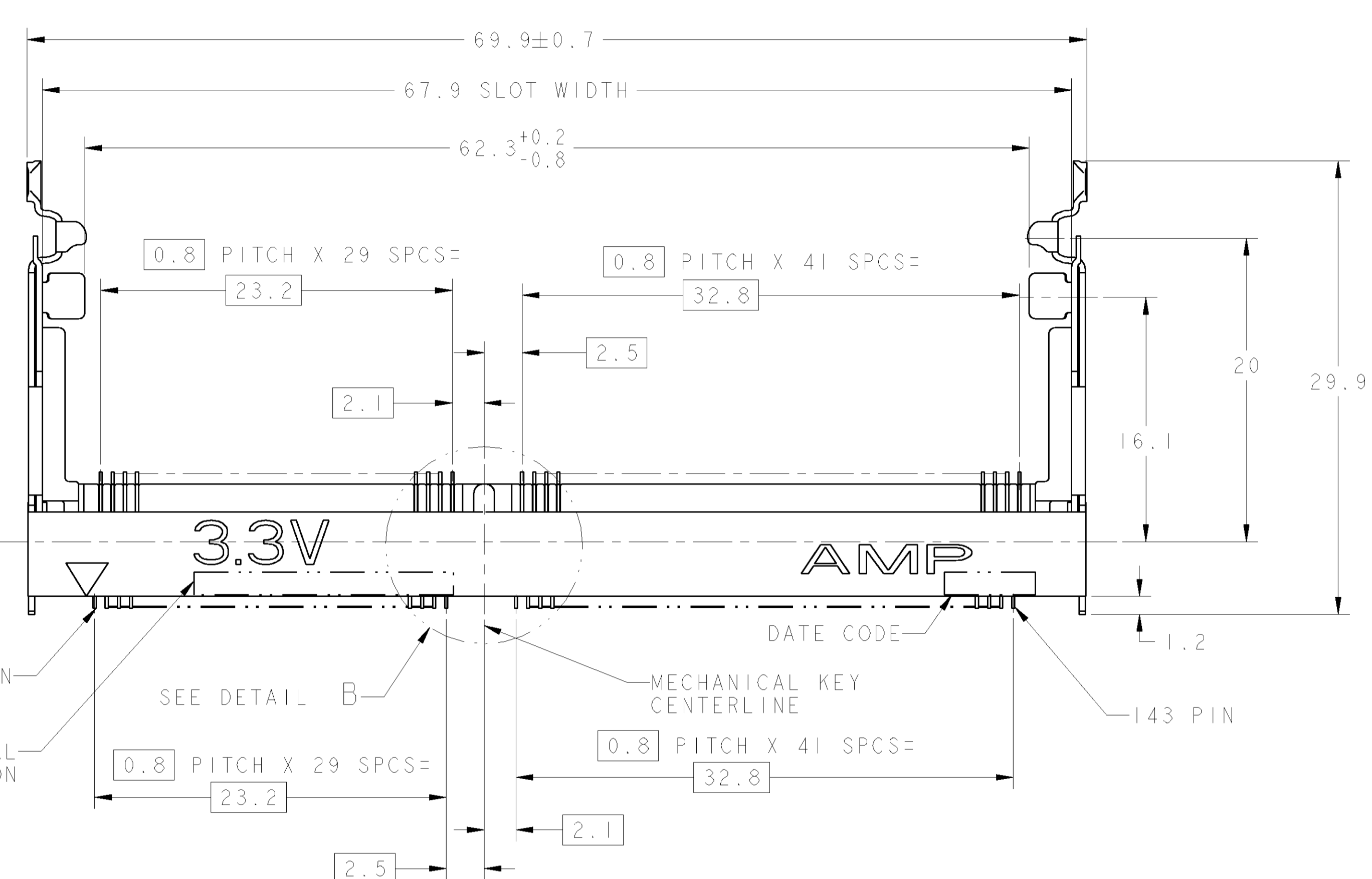
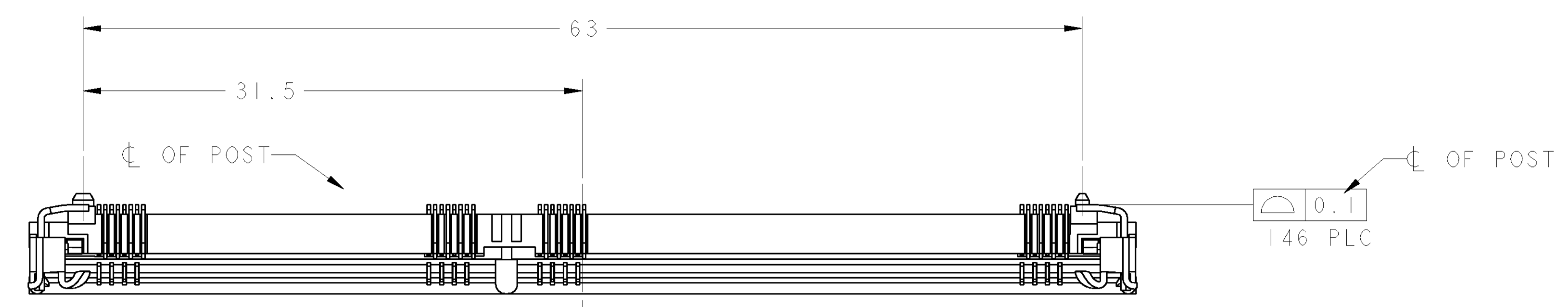
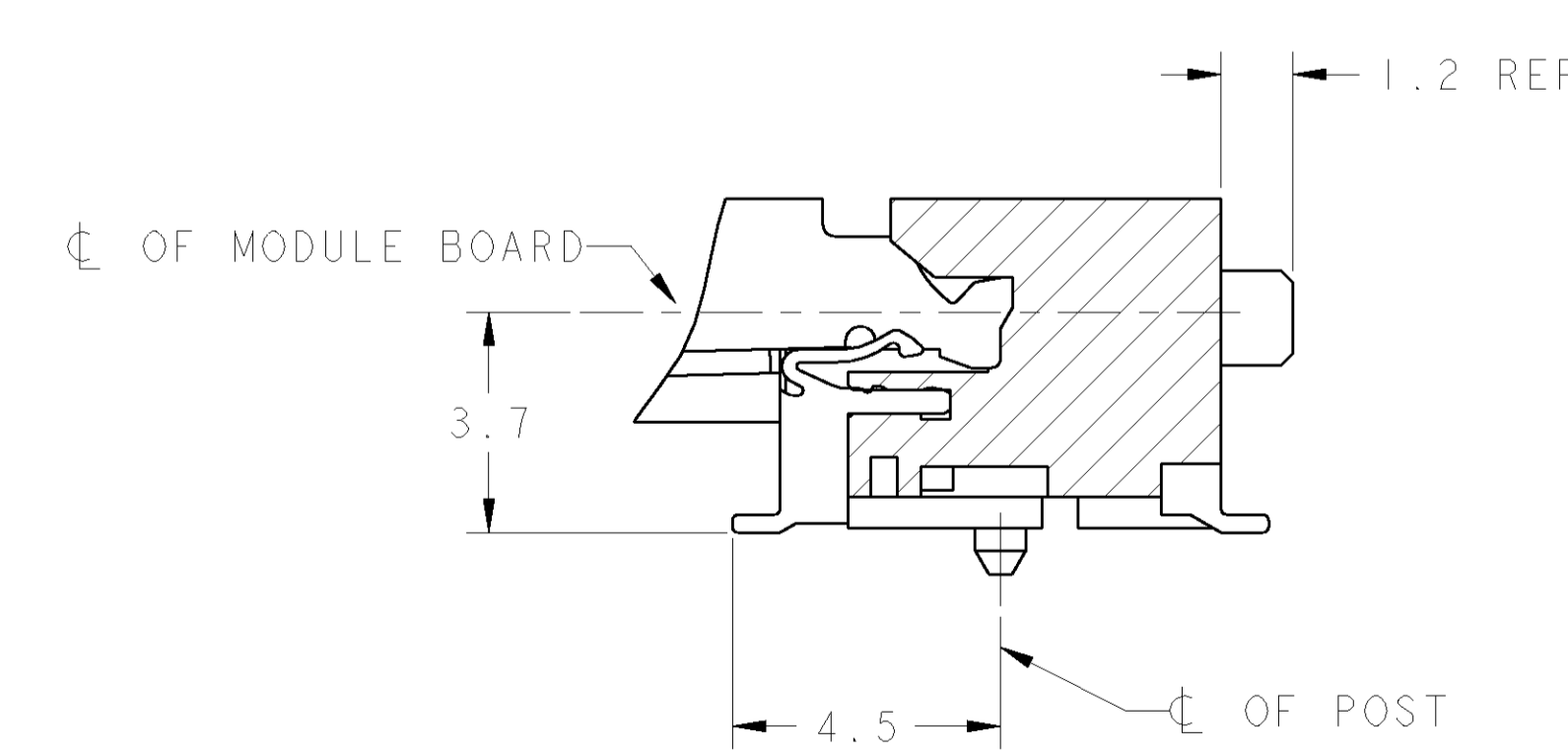


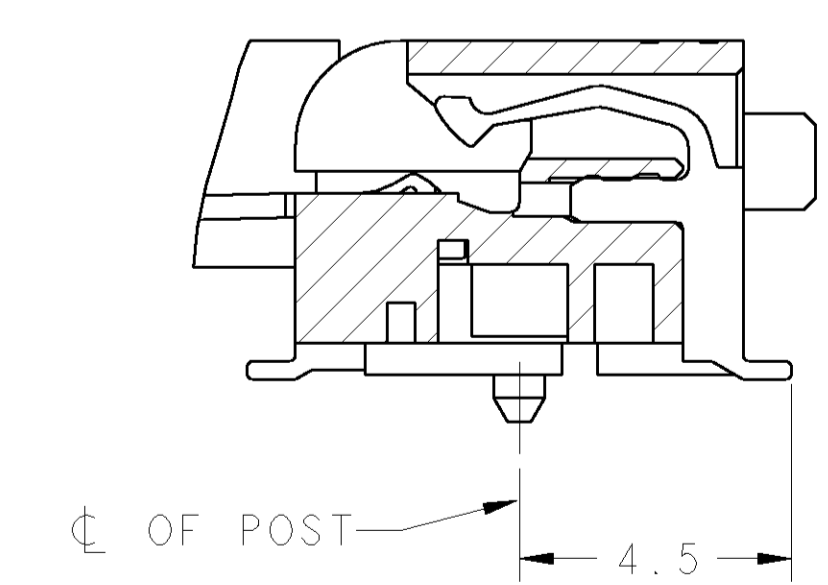
LOC	DIST	REVISIONS			
F	LTR	DESCRIPTION	DATE	DNM	APRD
P		REVISED ECR-05-006241	06JUL05	SYJ	LSF



DETAIL B
SCALE 8:1



SECTION X-X
ROTATED 90° CCW
SCALE 8:1



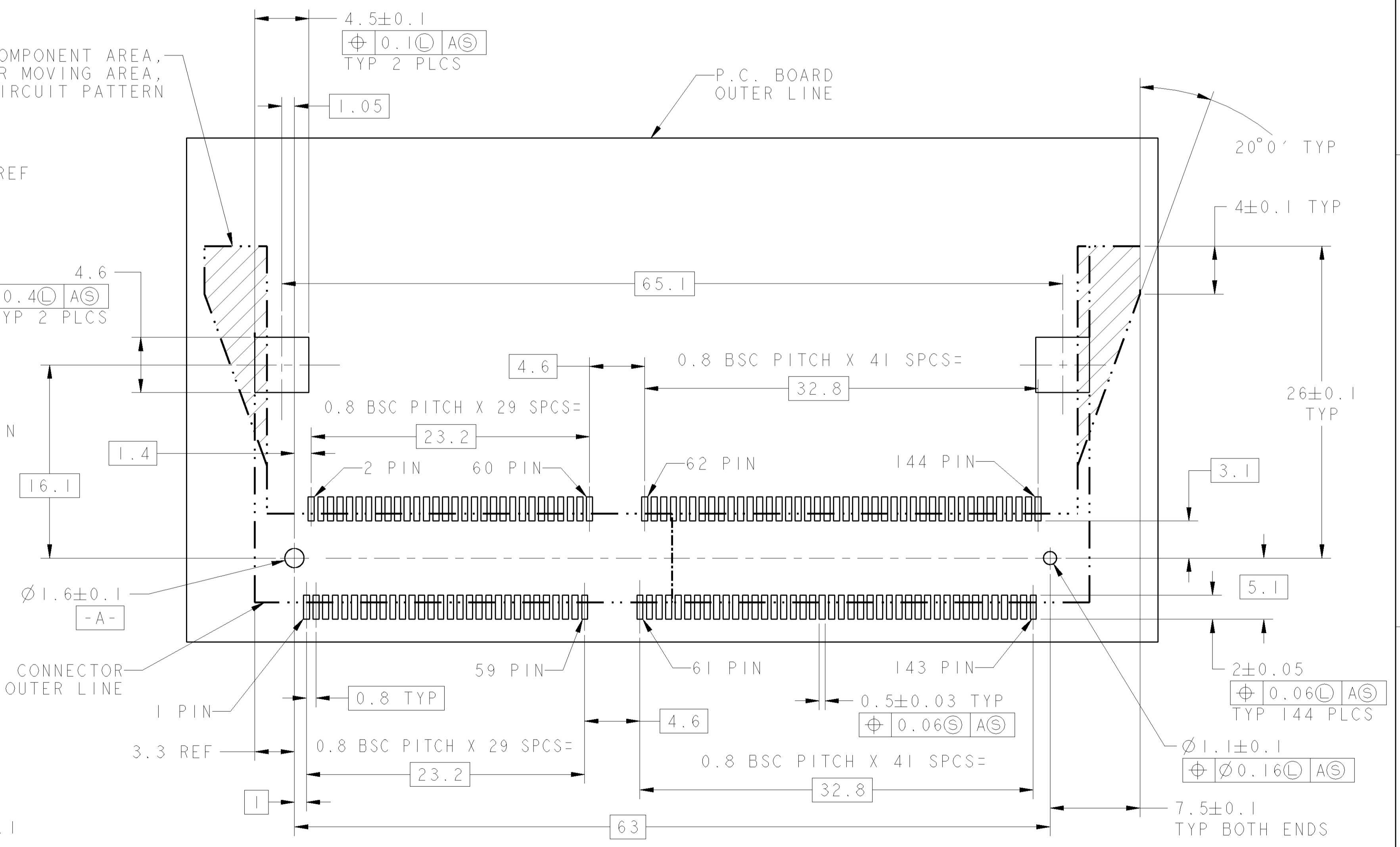
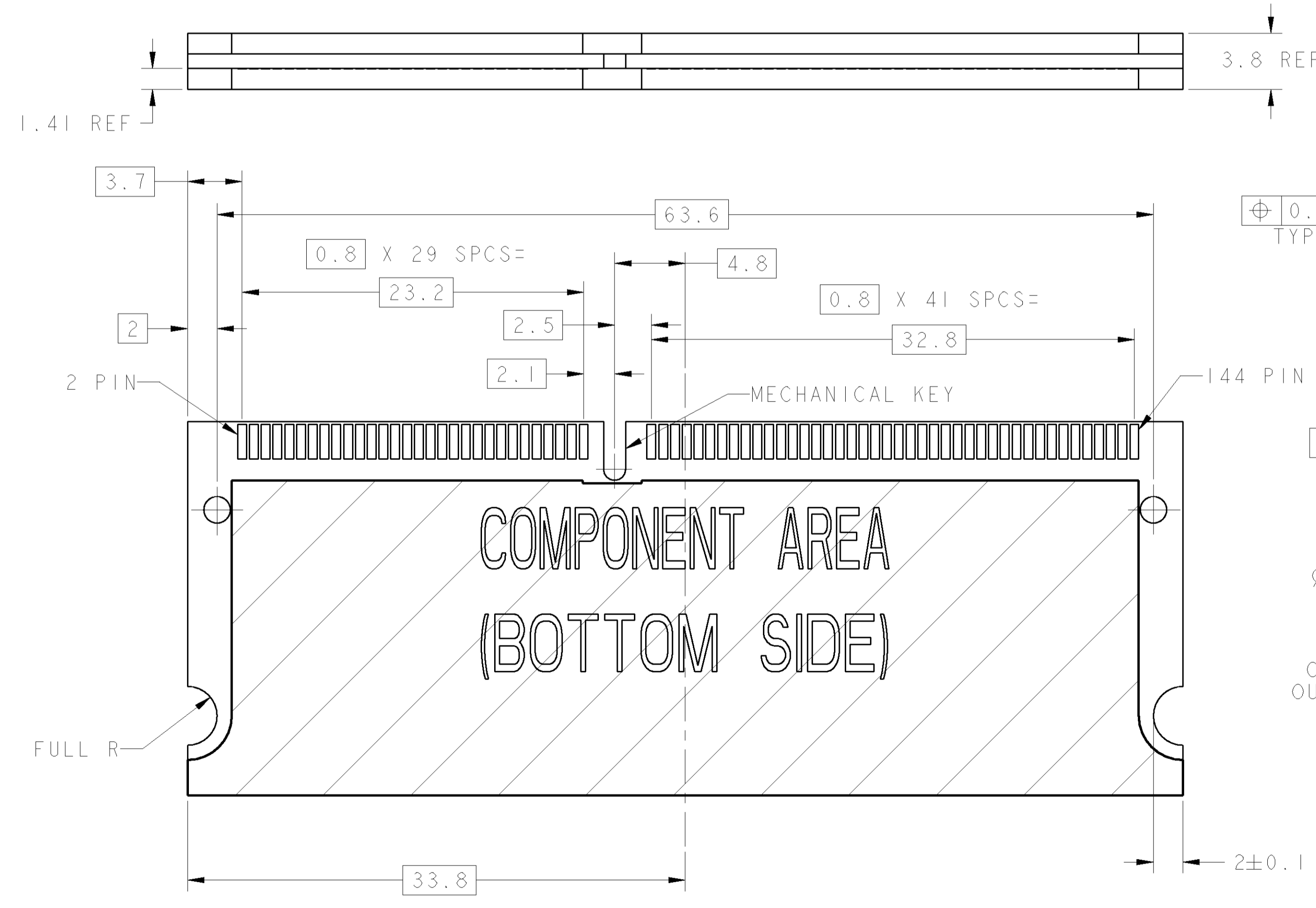
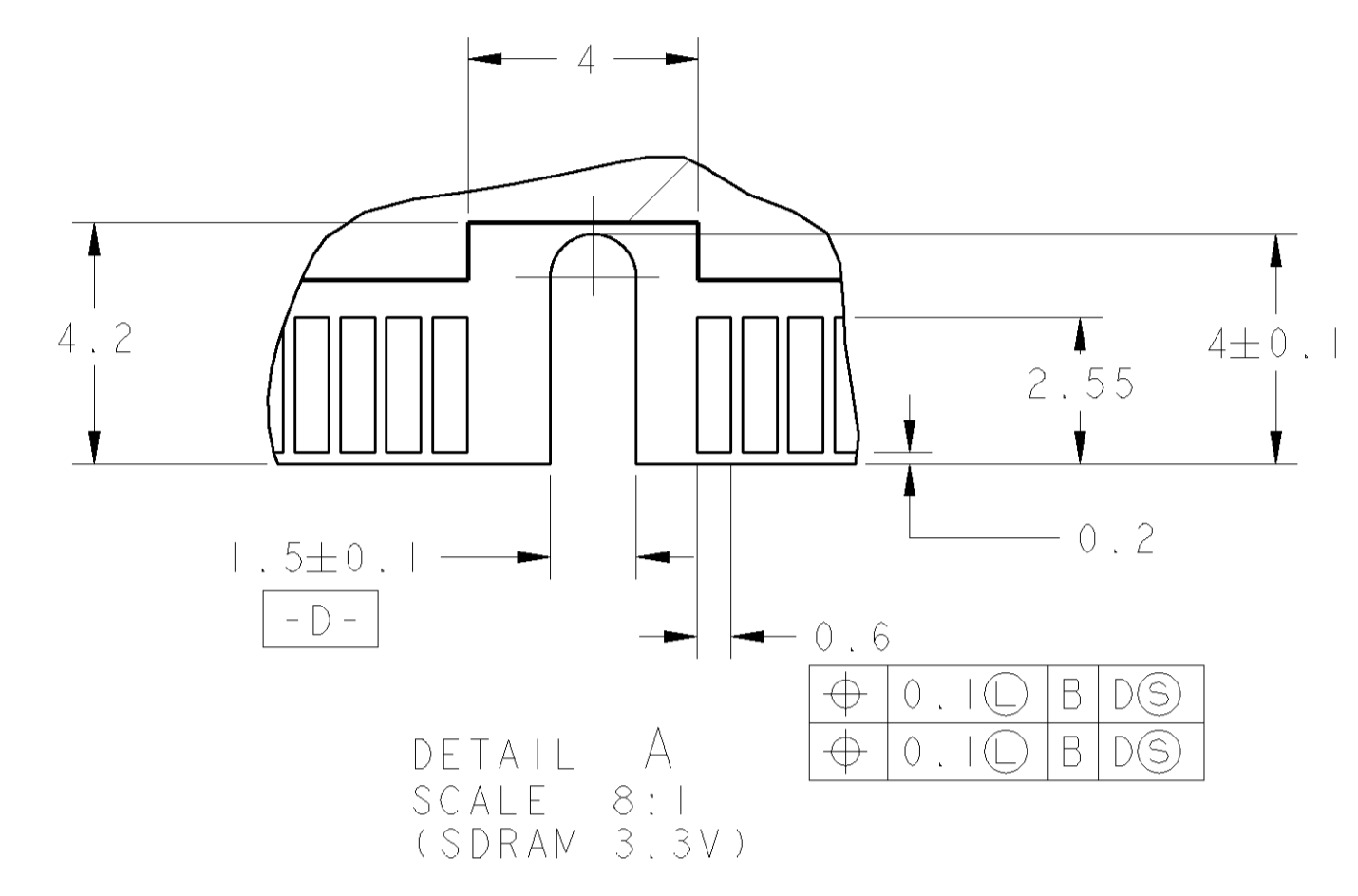
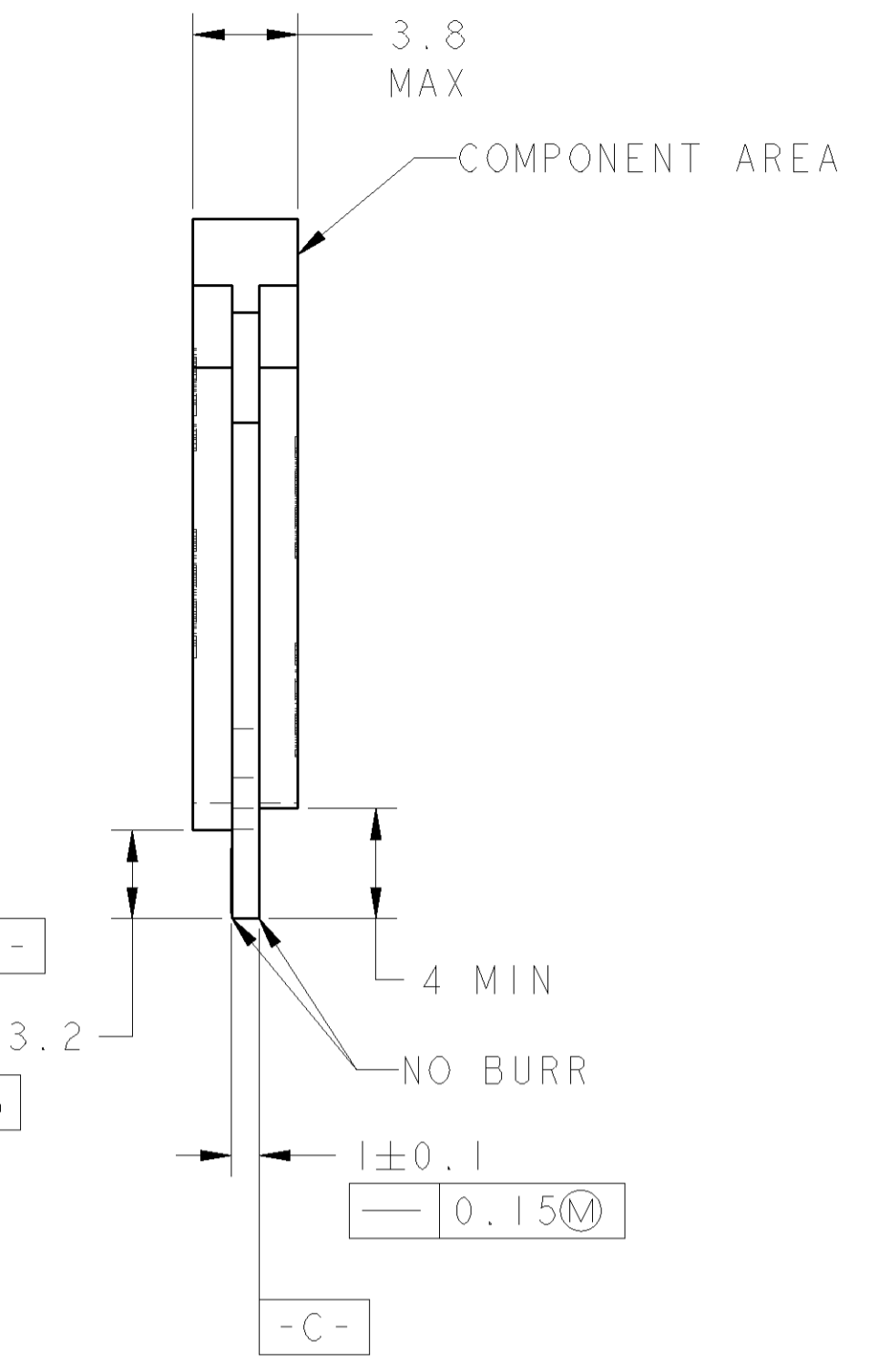
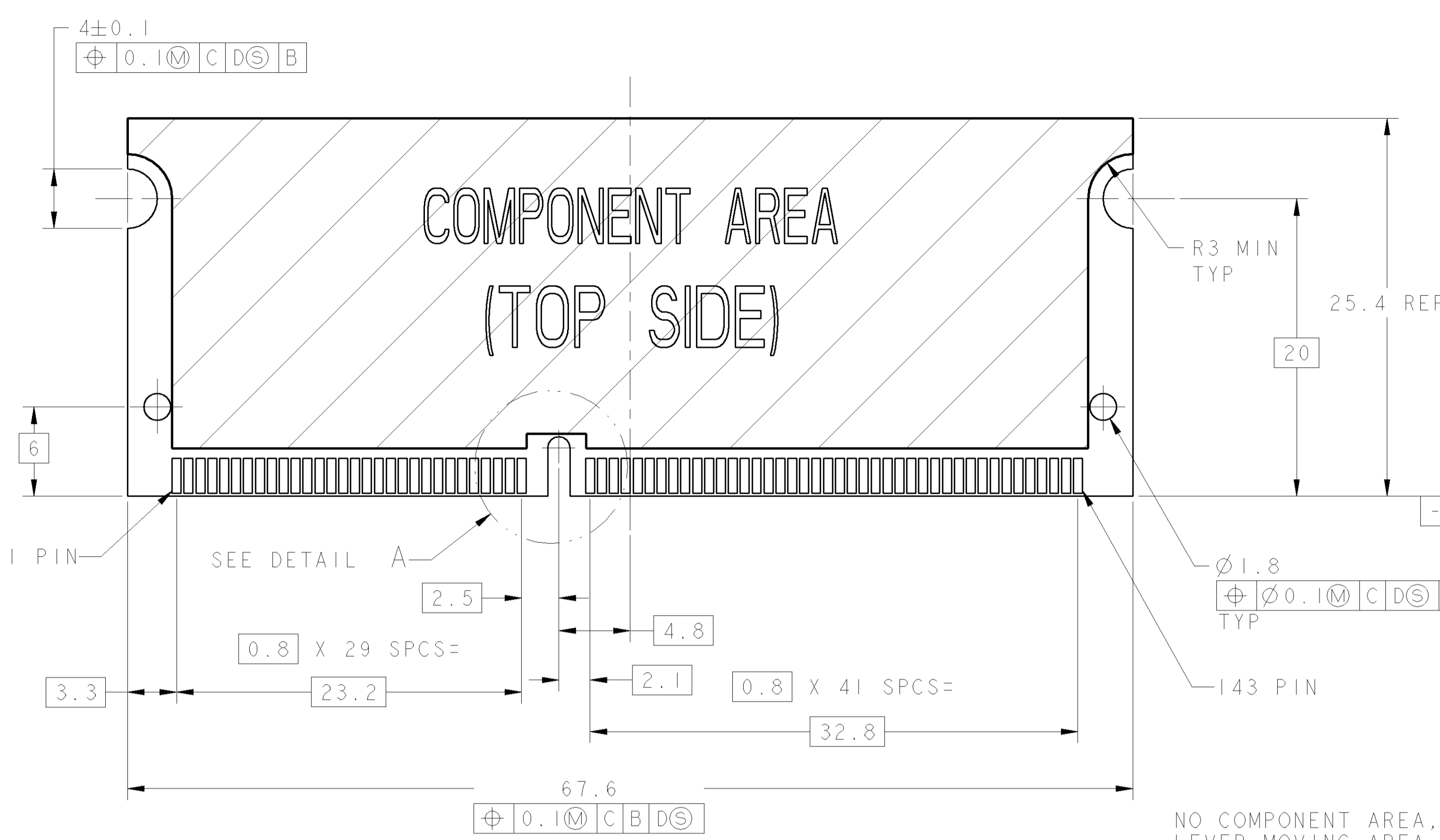
SECTION Y-Y
ROTATED 90° CCW
SCALE 8:1

- 1 MATERIAL, HIGH TEMPERATURE PLASTIC, UL94V-0
CONTACT: COPPER ALLOY
LATCH: STAINLESS STEEL, TIN PLATING.
- 2 FINISH; CONTACT AREA: 0.00025 MIN GOLD PLATE ON
0.001 MIN ALL OVER NICKEL
SOLDERING AREA: 0.00005 MIN TO 0.00030 MAX
GOLD PLATE
- 3. TOLERANCES NON-ACCUMULATIVE.
- 4 PACKAGED IN HARD TRAY.
- 5 FINISH; CONTACT AREA: 0.00025 MIN GOLD PLATE ON
0.001 MIN ALL OVER NICKEL
SOLDERING AREA: BRIGHT TIN LEAD PLATE.
- 6 PART PACKAGED PER EIA-1S704 STANDARD. REEL
DIAMETER SHALL BE 330mm, TAPE WIDTH SHALL BE
88mm, AND TAPE PITCH SHALL BE 36mm.
- 7 LATCH PLATING: TIN-LEAD FOR P/N: 8-390112-1 ONLY
(IDENTICAL TO PREVIOUS P/N: 390112-1)

NIL	AVAILABLE	NATURAL	FINISH	POS	PART NO.
	AVAILABLE	NATURAL	144	8-390112-1	
	AVAILABLE	BLACK	144	7-390112-1	
	AVAILABLE	NATURAL	144	6-390112-1	
3-390112-1	NOT AVAILABLE	NATURAL	144	3-390112-4	
	AVAILABLE	NATURAL	144	3-390112-1	
390112-1	NOT AVAILABLE	NATURAL	144	390112-4	
	AVAILABLE	NATURAL	144	390112-1	
SUPERSEDED BY	REMARKS	COLOR	FINISH	POS	PART NO.

<small>THIS DRAWING IS A CONTROLLED DOCUMENT FOR AMP INCORPORATED. ALL INFORMATION CONTAINED HEREIN IS UNCLASSIFIED UNLESS INDICATED OTHERWISE. FOR THE LATEST REVISION, ORGANIZATION SHOULD BE CONTACTED FOR THE LATEST REVISION.</small>		DWN: W. SORAH CHK: ALAN ANG APD: SE LEONG	6-23-97 01-21-02	AMP MANUFACTURING (SINGAPORE) PTE., LTD.	
DIMENSIONS: mm	TOLERANCES UNLESS OTHERWISE SPECIFIED: 0 PLC ±0.2 1 PLC ±0.2 2 PLC ±0.2 3 PLC ±0.2 4 PLC ±0.2 ANGLES ±	NAME: S.O. PRODUCT SPEC: - APPLICATION SPEC: - FINISH: SEE TABLE	NAME: S.O. DIMM SOCKET ASSY, 0.8mm, 3.3V, 144 POSITION, HIGH PROFILE FOR SDRAM TYPE MODULE	SIZE: A1 CASE CODE: 00779 DRAWING NO: C=390112	RESTRICTED TO: - SCALE: 4:1 SHEET: 1 OF 2 REV: P
MATERIAL: SEE TABLE		CUSTOMER DRAWING			

LOC	DIST	REV	DESCRIPTION	DATE	DNM	APRD
DY	-	-	SEE SHEET 1	-	-	-



<small>THIS DRAWING IS A CONTROLLED DOCUMENT FOR AMP INCORPORATED. ALL DIMENSIONS SHOWN ARE THE DIMENSIONS OF THE LATEST REVISION. MODIFICATIONS SHOULD BE CONTACTED FOR THE LATEST REVISION.</small>		DWN: W. SORAH 6-23-97 CHK: ALAN ANG 1-21-02 APD: SE LEONG PRODUCT SPEC APPLICATION SPEC WEIGHT: - CUSTOMER DRAWING	NAME: S.O. DIMM SOCKET ASSY, 0.8mm, 3.3V, 144 POSITION, HIGH PROFILE FOR SDRAM TYPE MODULE SIZE: A1 CASE CODE: 00779 DRAWING NO: C-390112 SCALE: 4:1 SHEET: 2 OF 2 REV: P
DIMENSIONS: mm TOLERANCES UNLESS OTHERWISE SPECIFIED: 0 PLC ±0.2 1 PLC ±0.2 2 PLC ±0.2 3 PLC ±0.2 4 PLC ±0.2 ANGLES: °	FINISH: SEE TABLE	AMP MANUFACTURING (SINGAPORE) PTE. LTD.	RESTRICTED TO: -