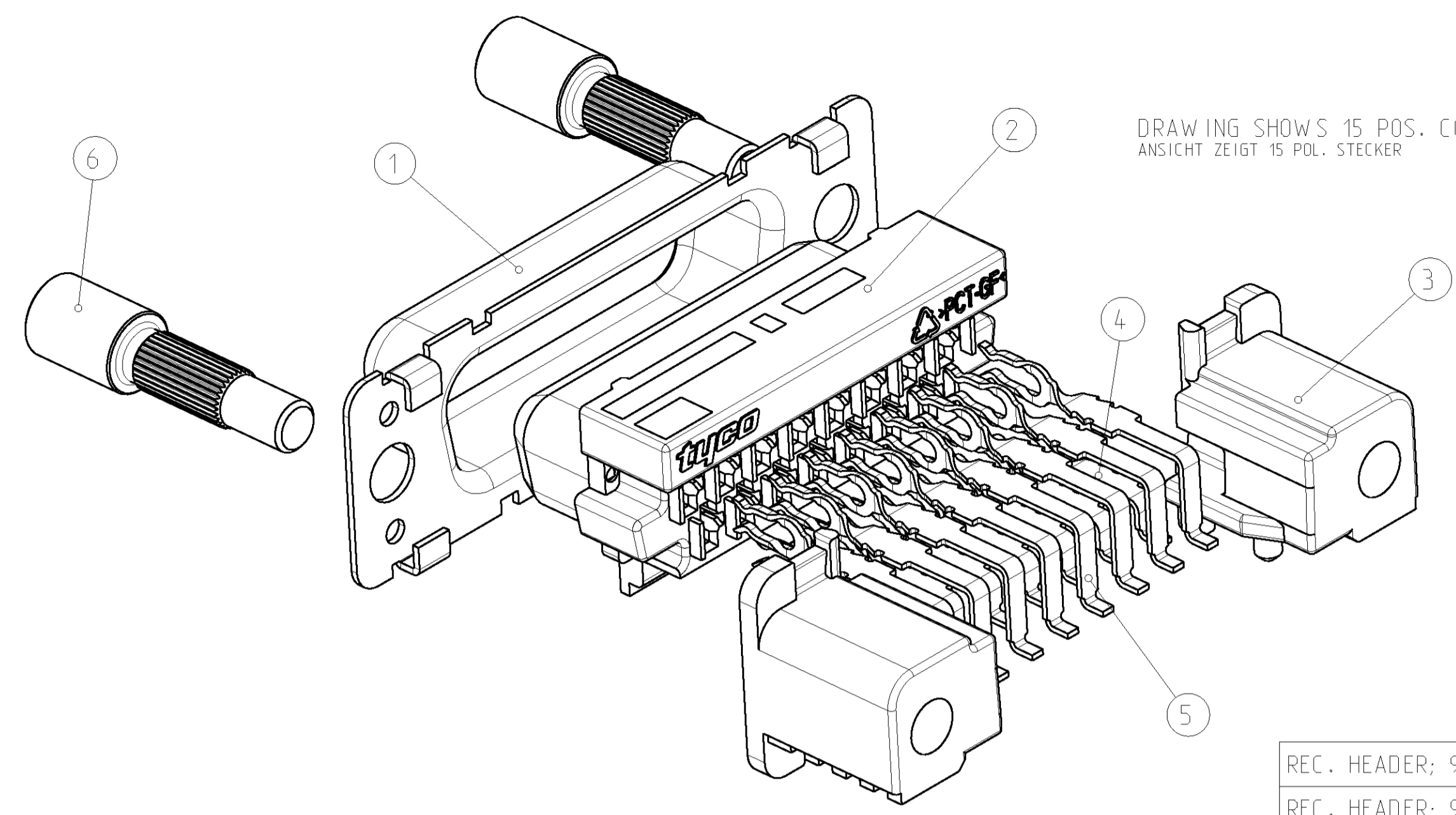
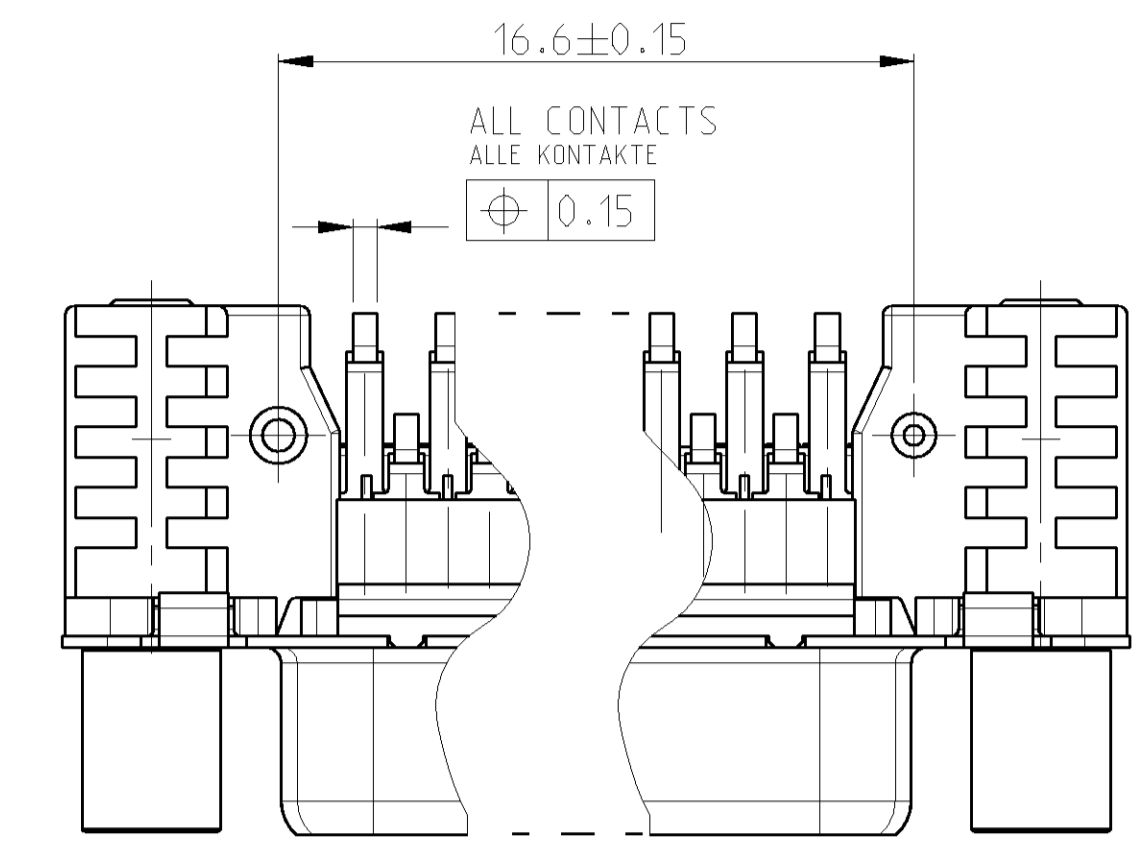
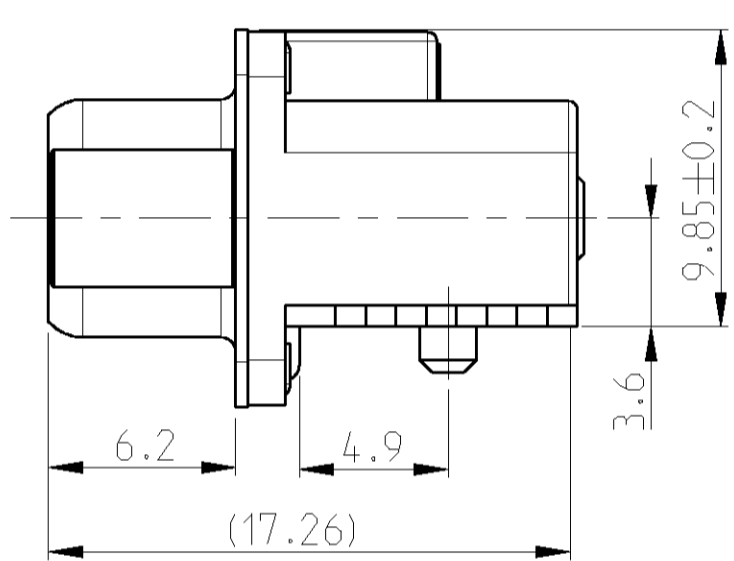
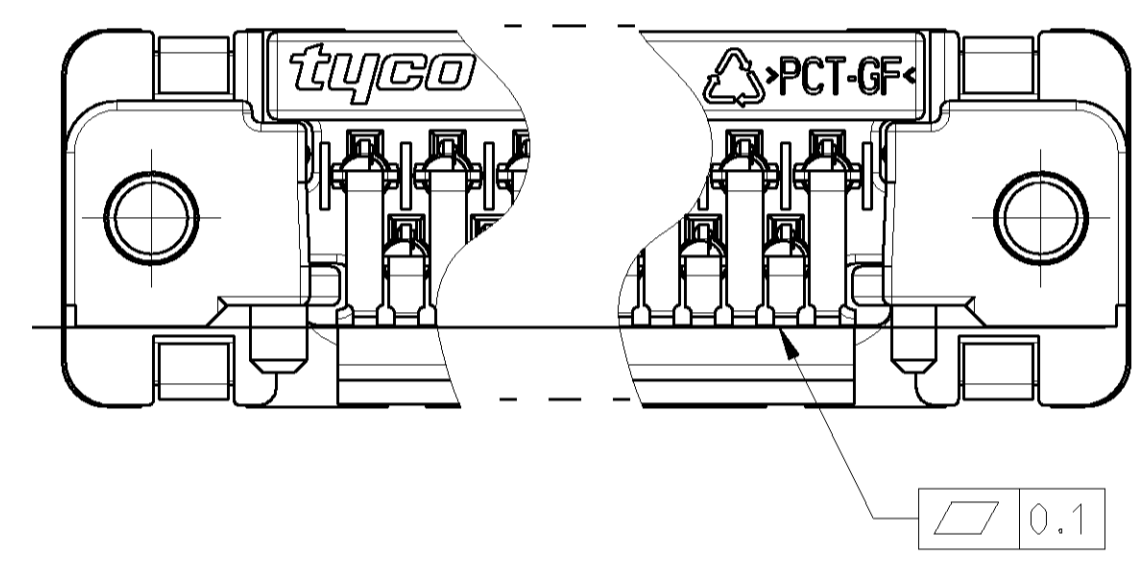


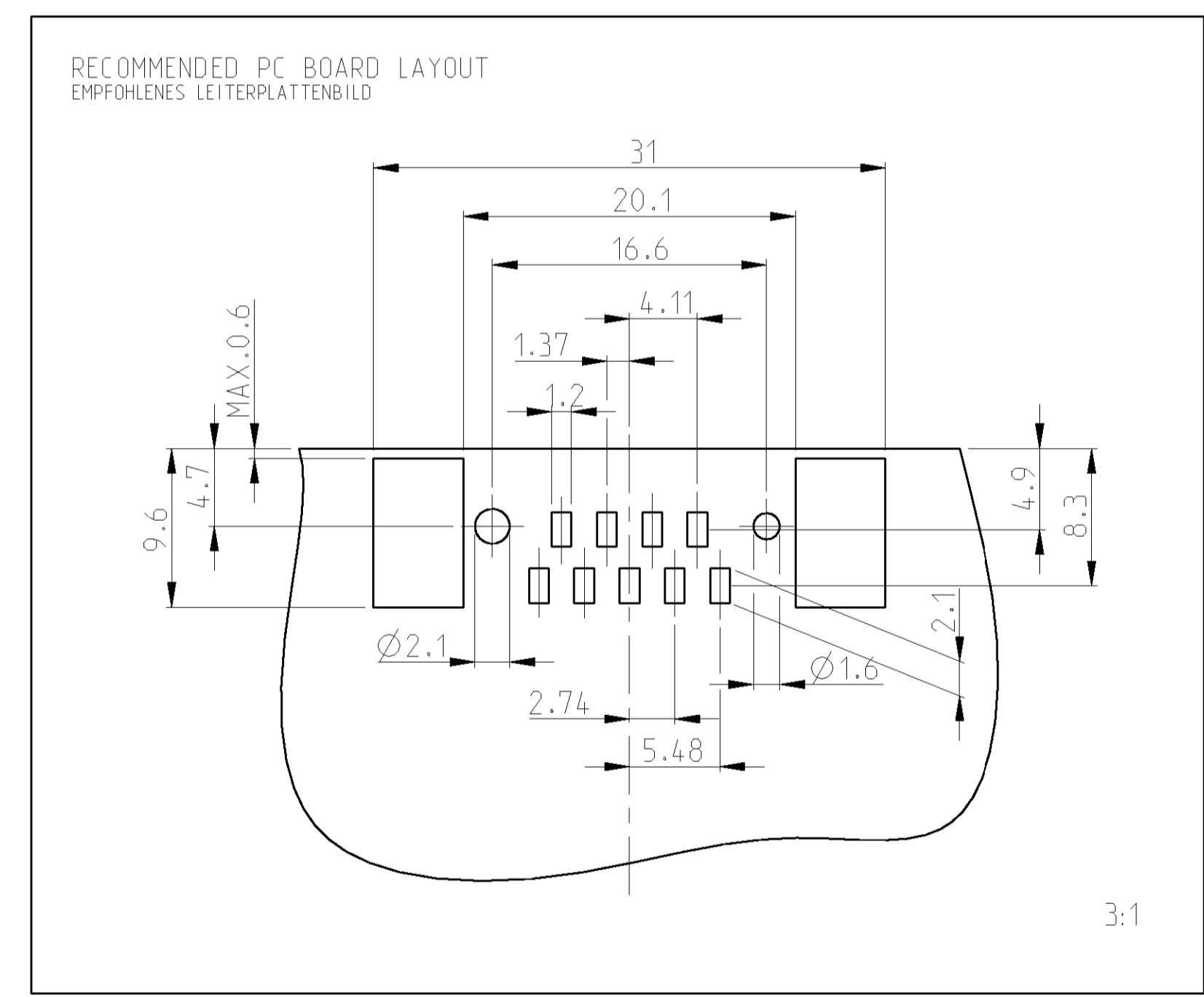
LOC	DIST	REVISIONS					
		P.	LTR.	DESCRIPTION	DATE	BY	APPD.
A1	-	A1		NEW DRAWING	30NOV2004	L.S.	G.F.
		A2		VERSIONS XXX-5 ADDED	10NOV2005	L.S.	M.S.



DRAWING SHOWS 15 POS. CONNECTOR  
 ANSICHT ZEIGT 15 POL. STECKER



REC. HEADER; 9 POS.; STUD WITH THREAD M3	4-1740194-2	4-1740194-5
REC. HEADER; 9 POS.; BRACKET WITH THREAD M3	2-1740194-2	2-1740194-5
REC. HEADER; 9 POS.; STUD WITH THREAD UNC 4/40	3-1740194-2	3-1740194-5
REC. HEADER; 9 POS.; BRACKET WITH THREAD UNC4-40	1-1740194-2	1-1740194-5
REC. HEADER; 9 POS.; BRACKET WITH HOLE Ø3.1	0-1740194-2	0-1740194-5
DESCRIPTION	SHELL PLATING: TIN OVER Ni	SHELL PLATING: Ni



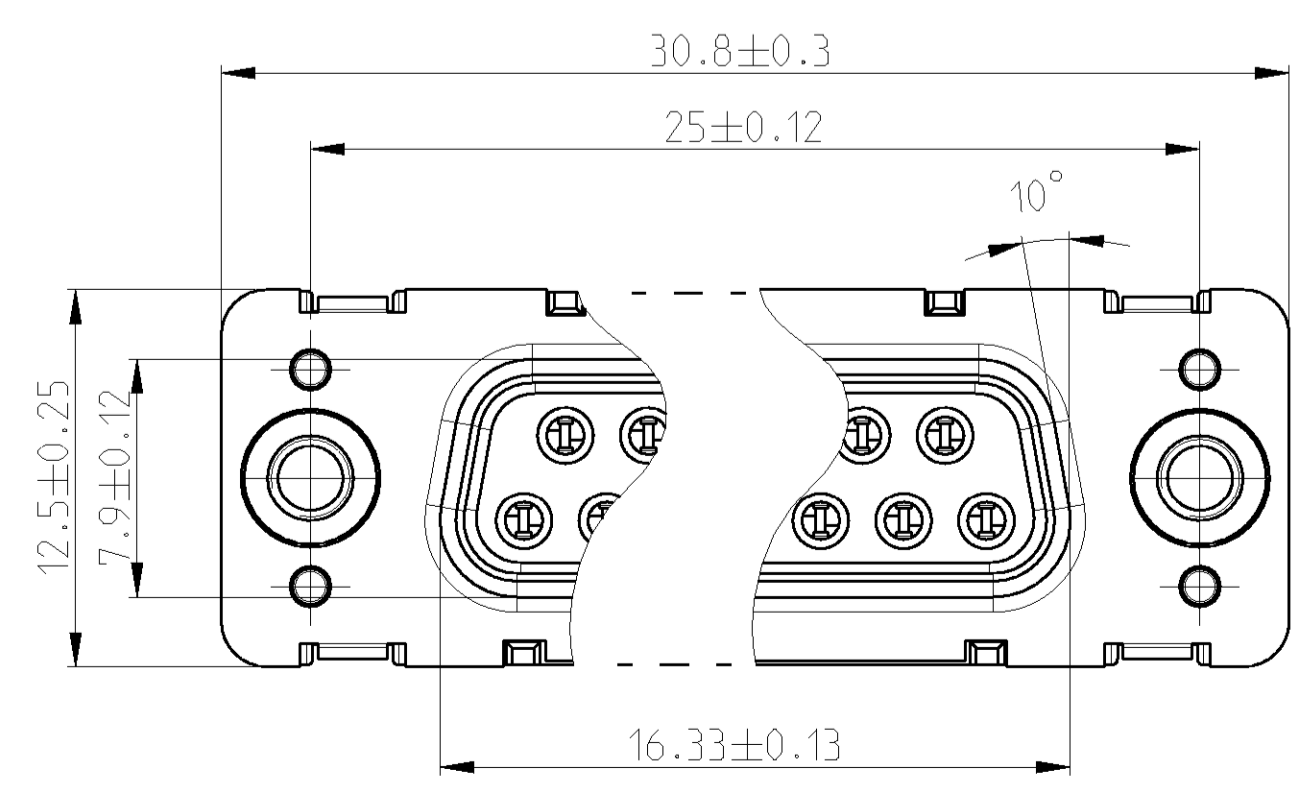
WHITE INK MARKING  
 WEISSE TINTENBESCHRIFTUNG

REMARKS:

- △ CONTACT AREA: MIN. 0.8 μm Au OVER 1.27 μm Ni ;  
 SOLDER AREA: 3-5 μm Sn OVER MIN. 1.27 μm Ni
- 2 PACKAGING SEE SHEET 2
- 3 CONNECTOR SUITABLE FOR LEAD-FREE SMT SOLDER PROCESS
- △ TIN OVER NICKEL

BEMERKUNGEN:

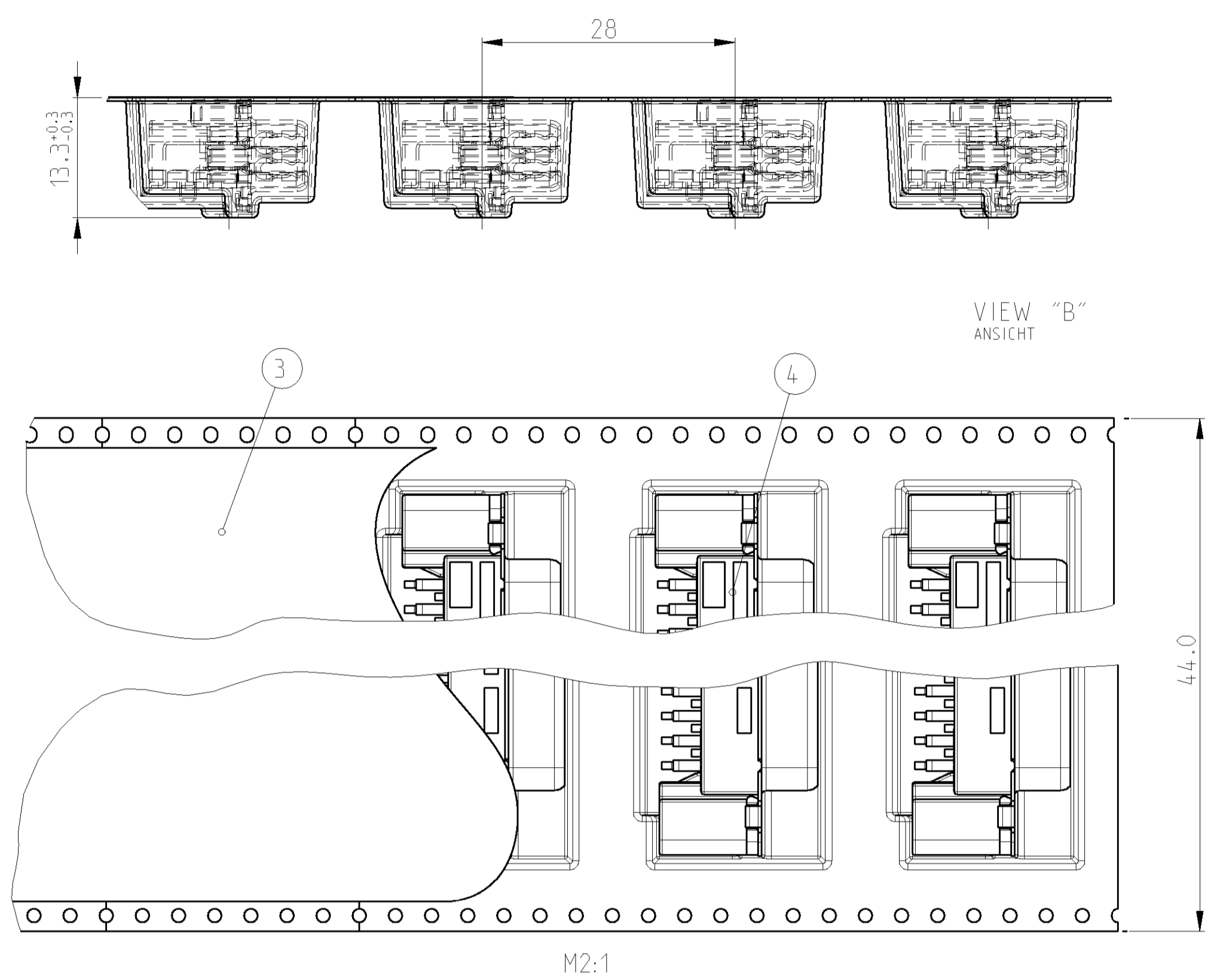
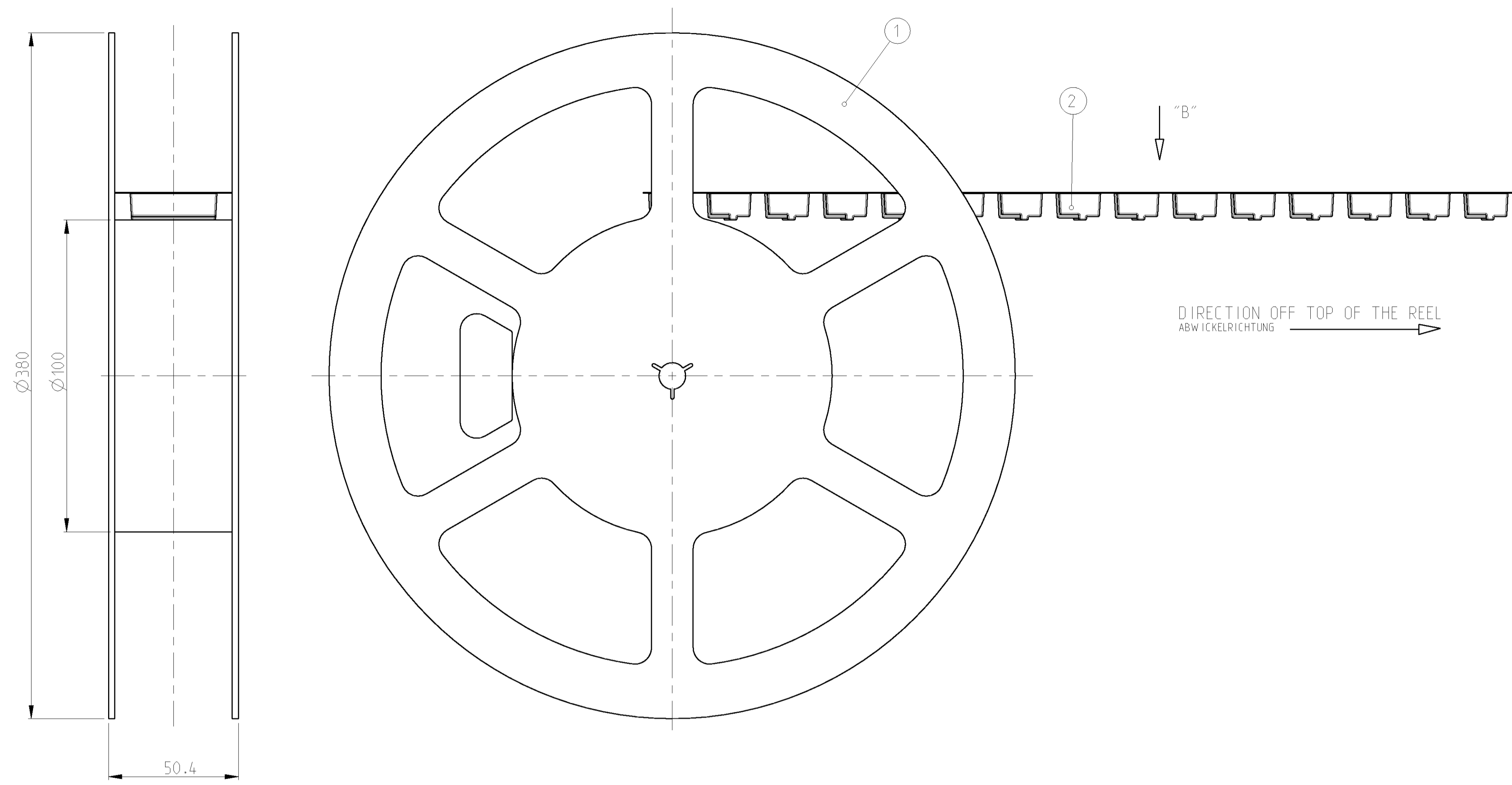
- △ KONTAKTBEREICH: MIN. 0,8 μm Au ÜBER 1,27 μm Ni ;  
 LÖTBEREICH: 3-5 μm Sn ÜBER MIN. 1,27 μm Ni
- 2 VERPACKUNGSART SIEHE BLATT 2
- 3 STECKER GEEIGNET FÜR BLEIFREIES SMT LÖTEN
- △ ZINN ÜBER NICKEL



POS.	QTY.	DESCRIPTION BENENNUNG	SURFACE OBERFLÄCHE COLOUR/FARBE	MATERIAL
6	2	THREAD STUD GEWINDEBOLZEN	NICKEL NICKEL	STEEL STAHL
5	5	REC. CONTACT, SMD, LONG BUCHSENKONTAKT, SMD, LANG	△	CuMg
4	4	REC. CONTACT, SMD, SHORT BUCHSENKONTAKT, SMD, KURZ	△	CuMg
3	2	BRACKET, SMD, LEFT/RIGHT WINKELSTÜCK, SMD, LINKS/RECHTS	△	CAST METAL DRUCKGUSS
2	1	REC. HOUSING BUCHSENGEHÄUSE	BLACK SCHWARZ	PCT-GF
1	1	SHELL SCHIRMBLECH	SEE TABLE SIEHE TABELLE	STEEL STAHL

DIMENSIONS: MASSENHEITEN: (MM)	TOLERANCES, UNLESS OTHERWISE SPECIFIED: ALLGEMEINTOLERANZEN	DWN L. SCHLUETER 30NOV2004	tyco Electronics Tyco Electronics AMP GmbH D - 64625 Bensheim
0 PLC ± 1 PLC ± 2 PLC ± 3 PLC ± 4 PLC ±	0.2	CEN M. SCHAARSCHMIDT 01DEC2004	NAME HD20 REC. HEADER; EUROSTYLE; SMT; 9POS. HD20 BUCHSENSTECKER; EUROSTYLE; SMT; 9POL.
MATERIAL SEE TABLE S-TABELLE	FINISH/SCHICHT/FARBE SEE TABLE S-TABELLE	APPLICATION SPEC. VERARBEITUNGSPEZ.	SIZE A1 00779 DRAWING NO. 1740194
CUSTOMER DRAWING		WEIGHT GEWICHT -	RESTRICTED TO NUR FÜR -

LOC	DIST	P	LTR	REVISIONS	DATE	BY	APPD
A1	-	-	-	SEE SHEET 1	-	-	-



**REMARKS:**

- COVER TAPE WITH BLISTER BELT WELDED OR PASTED
- BLISTER BELT, COVER AND TAPE ACC. TO DIN/IEC 286 PART 3
- FIRST AND LAST RUNNING OF THE CARRIER TAPE ACC. TO DIN/IEC 286 PART 3
- 7m BLISTERBELT AND 7.1m COVER TAPE, 225 LOOSE PIECE PARTS

**BEMERKUNGEN:**

- ABDECKBAND MIT BLISTERGURT VERSCHWEIßT ODER VERKLEBT
- BLISTERGURT, ABDECKBAND UND REEL NACH DIN/IEC 286 TEIL 3
- VOR- UND NACHLAUF AM BLISTERGURT NACH DIN/IEC 286 TEIL 3
- 7m BLISTERGURT UND 7.1m ABDECKBAND, 225 EINZELTEILE

TYCO ORDER NO. BESTELL-NR.	POS.	TYCO PART NO.					DESCRIPTION	SURFACE OBERFLAECHE COLOUR/FARBE	MATERIAL
		4-1740194-2	3-1740194-2	2-1740194-2	1-1740194-2	0-1740194-2			
1740194	4	225	-	-	-	-	SUB-D REC. HEADER, 9 POS., STUD M3 SUB-D BUCHSENSTECKER, 9 POL., BOLZEN M3	-	-
	4	-	225	-	-	-	SUB-D REC. HEADER, 9 POS., STUD UNC4-40 SUB-D BUCHSENSTECKER, 9 POL., BOLZEN UNC4-40	-	-
	4	-	-	225	-	-	SUB-D REC. HEADER, 9 POS., M3 SUB-D BUCHSENSTECKER, 9 POL., M3	-	-
	4	-	-	-	225	-	SUB-D REC. HEADER, 9 POS., UNC4-40 SUB-D BUCHSENSTECKER, 9POL., UNC4-40	-	-
	4	-	-	-	-	225	SUB-D REC. HEADER, 9 POS. SUB-D BUCHSENSTECKER, 9POL.	-	-
	3	7.1m	7.1m	7.1m	7.1m	7.1m	COVER BELT FOR BLISTER BELT ABDECKBAND FÜR BLISTERGURT	TRANSPARENT	PET
	2	7m	7m	7m	7m	7m	BLISTER BELT BLISTERGURT	GREY/BLACK GRAU/SCHWARZ	PS
1	1	1	1	1	1	REEL-PACKING MEHRWEGSPULE	GREY GRAU	PS	

DIMENSIONS: mm		TOLERANCES UNLESS OTHERWISE SPECIFIED:		DWN: 30NOV2004		Tyco Electronics AMP GmbH D - 64625 Bensheim	
		0 PLC ± 1 PLC ± 2 PLC ± 3 PLC ± 4 PLC ± ANGLES ± MATERIAL - FINISH -		NAME: HD20 REC. HEADER; EUROSTYLE; SMT; 9POS. PRODUCT SPEC: HD20 BUCHSENSTECKER; EUROSTYLE; SMT; 9POL. APPLICATION SPEC: - WEIGHT: - CUSTOMER DRAW ING: -		SCALE: 5:1 SHEET: 2 OF 2 REV: A2	