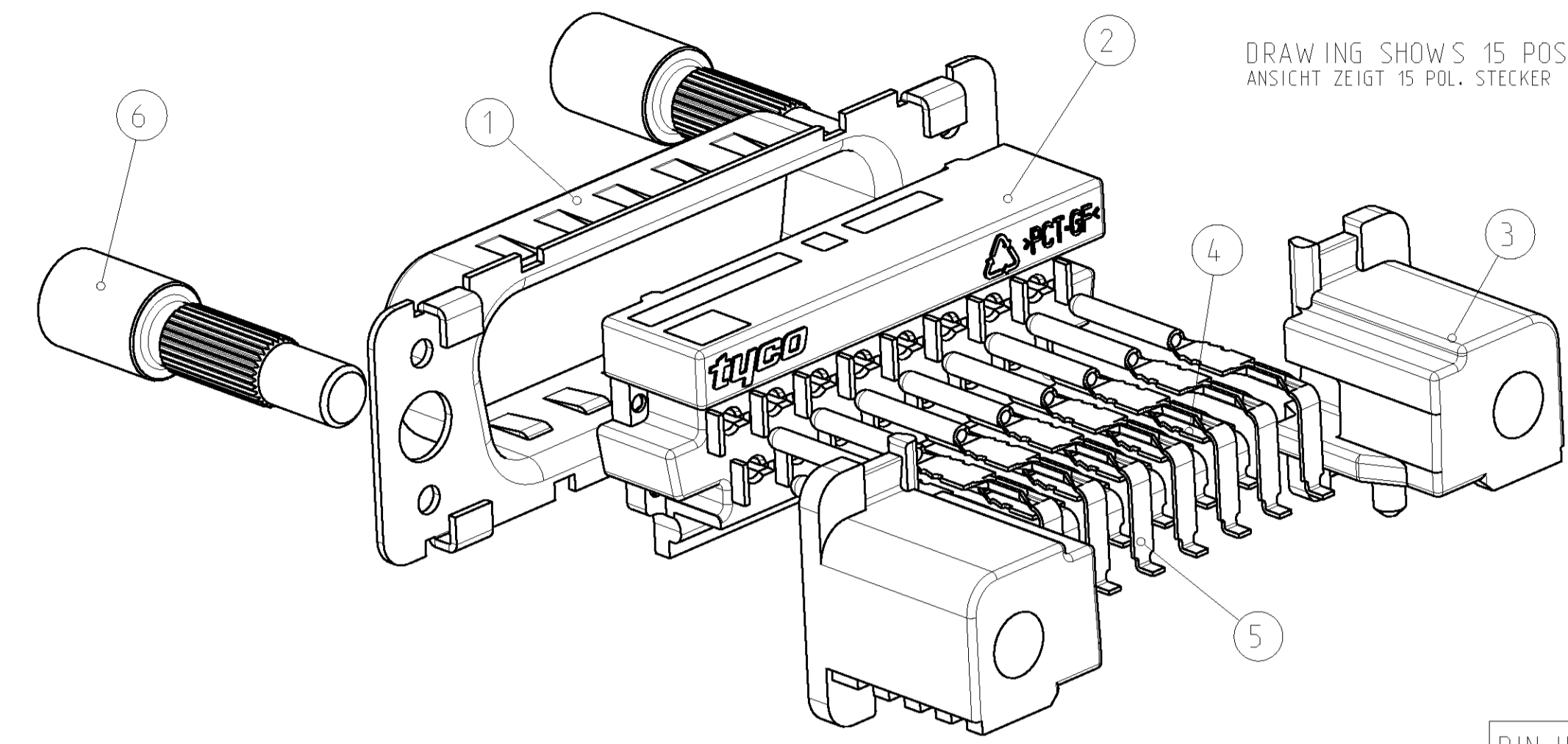
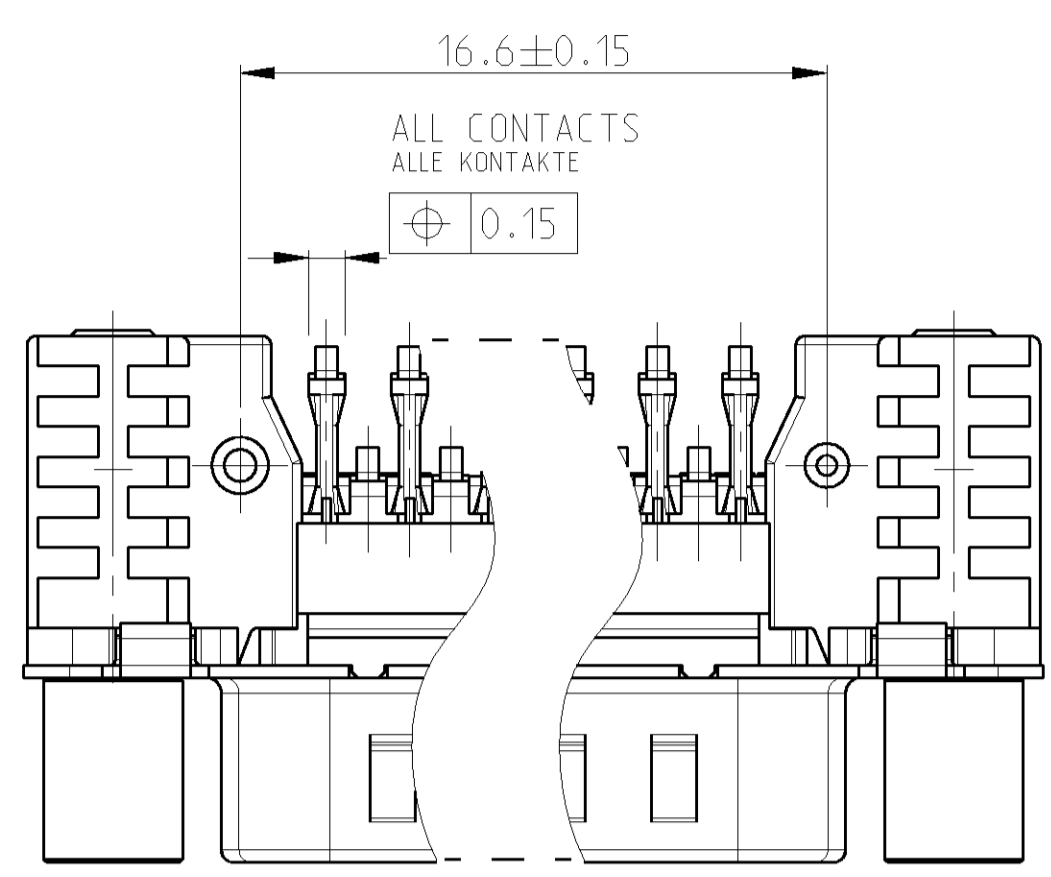
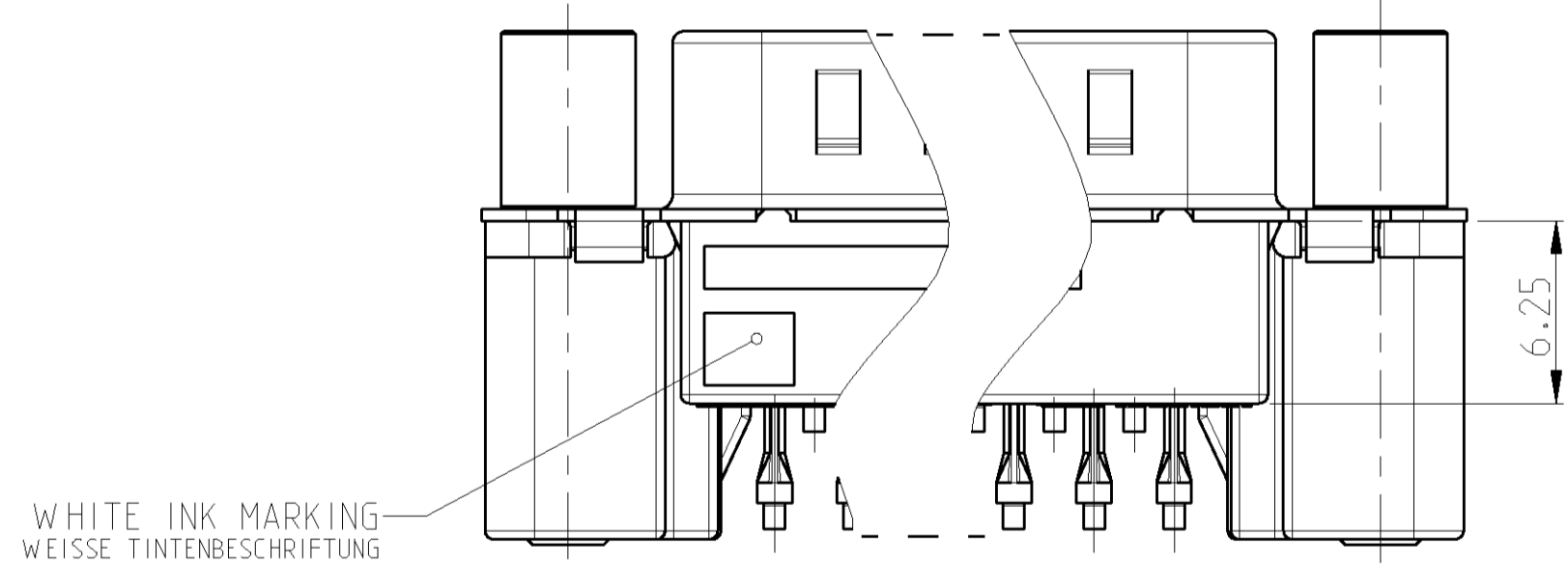
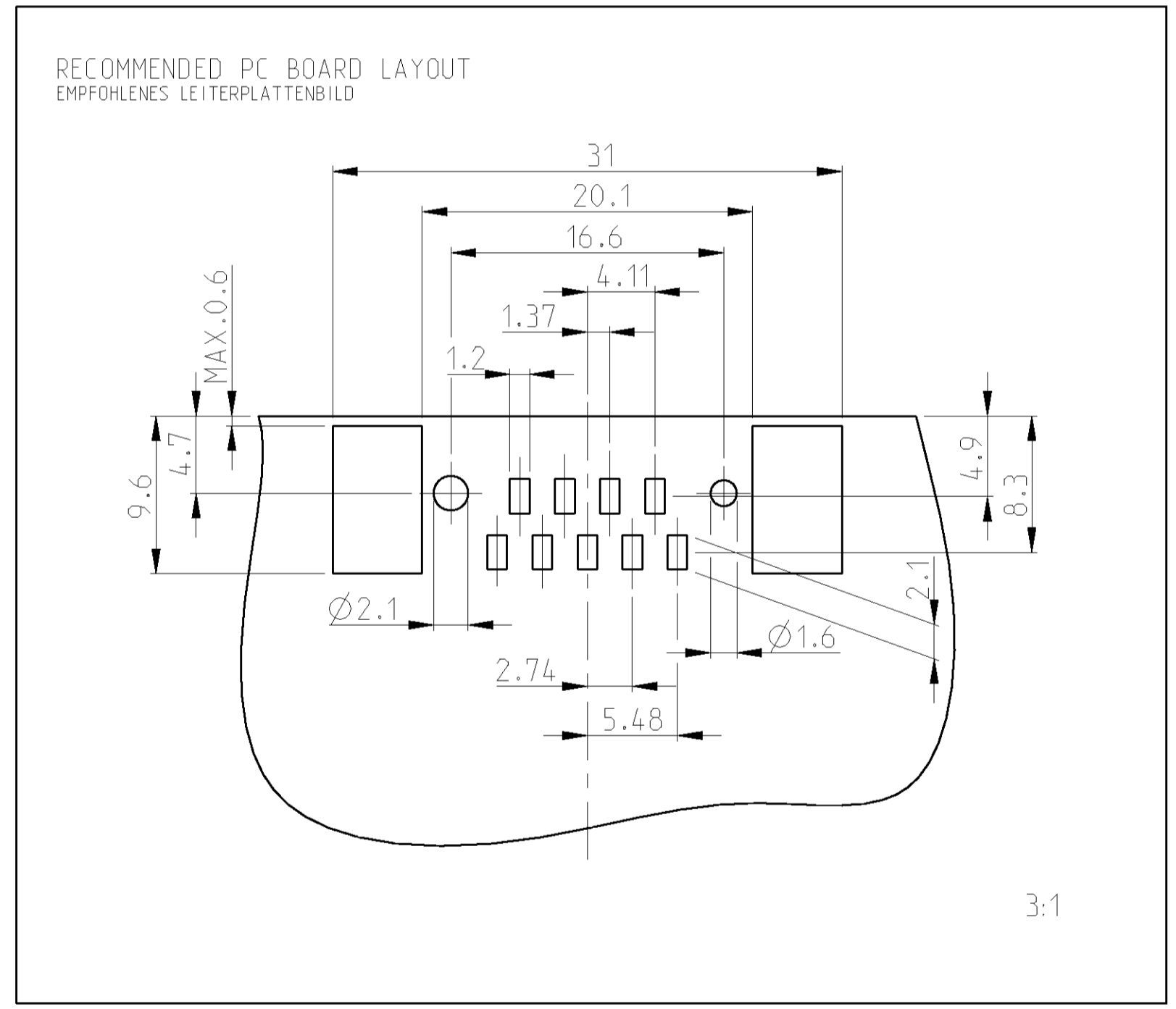
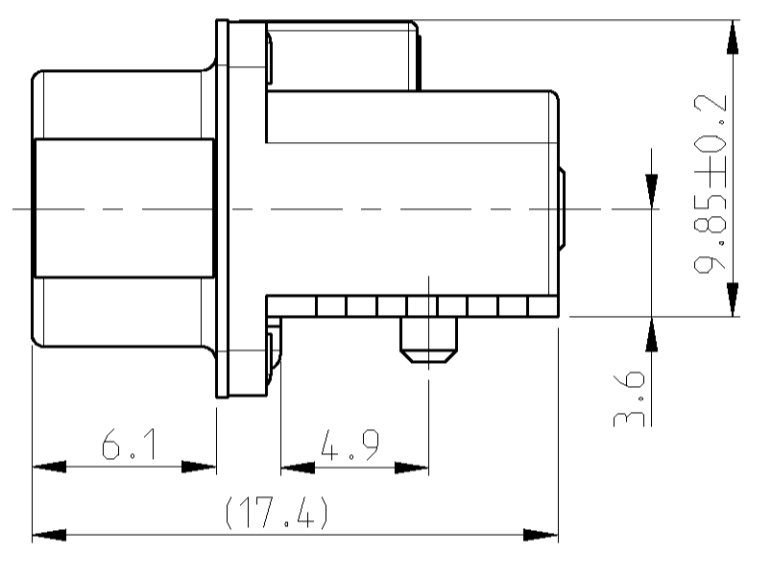
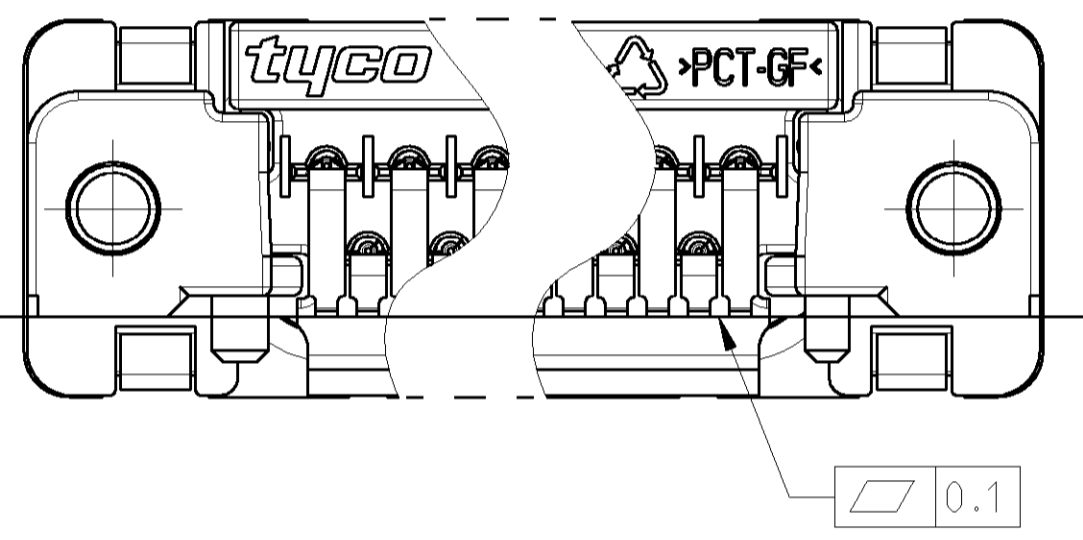


LOC	DIST	P	LTR	REVISIONS	DATE	DWN	APPR
				ÄNDERUNGEN			
				BESCHREIBUNG			
A1	-			NEW DRAWING	30NOV2004	L.S.	G.F.
				VERSIONS XXX-5 ADDED	10NOV2005	L.S.	M.S.



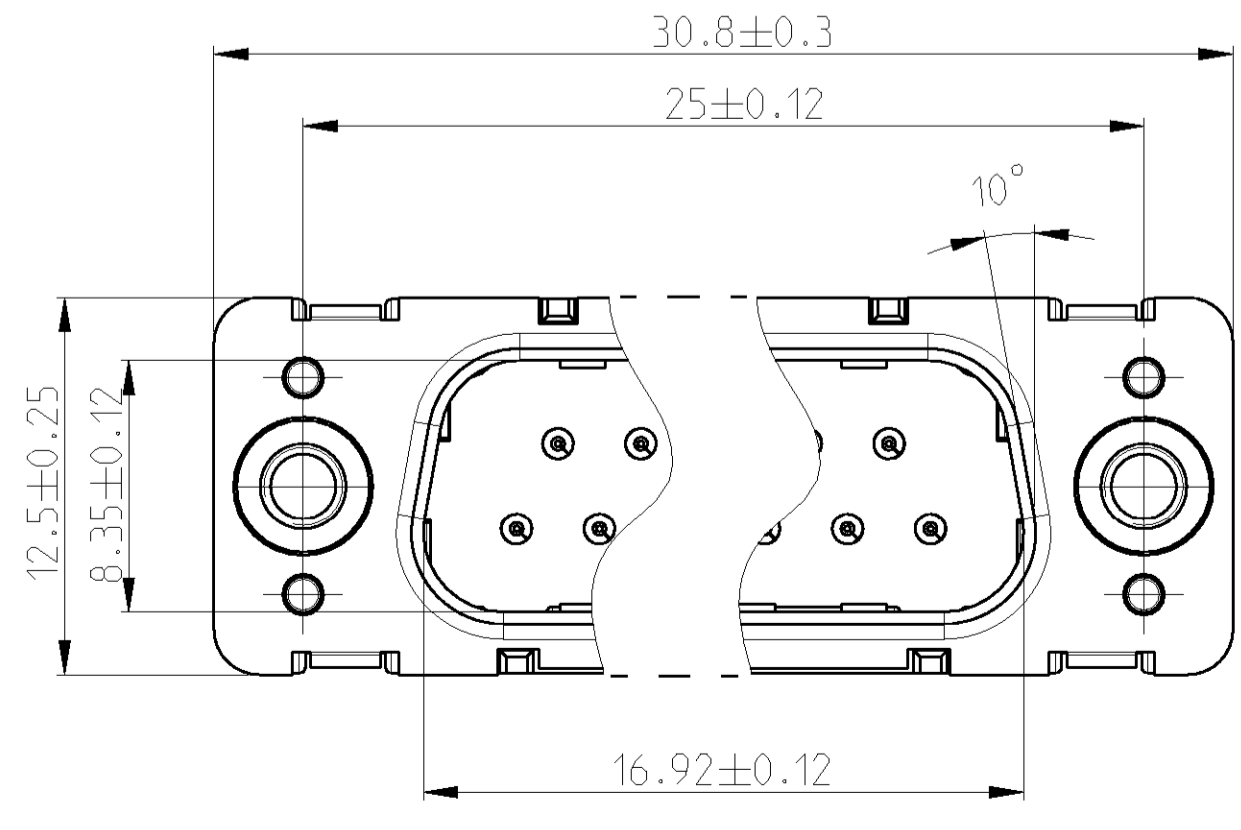
DRAWING SHOWS 15 POS. CONNECTOR
 ANSICHT ZEIGT 15 POL. STECKER

PIN HEADER; 9 POS.; STUD WITH THREAD M3	4-1740195-2	4-1740195-5
PIN HEADER; 9 POS.; BRACKET WITH THREAD M3	2-1740195-2	2-1740195-5
PIN HEADER; 9 POS.; STUD WITH THREAD UNC 4/40	3-1740195-2	3-1740195-5
PIN HEADER; 9 POS.; BRACKET WITH THREAD UNC 4-40	1-1740195-2	1-1740195-5
PIN HEADER; 9 POS.; BRACKET WITH HOLE Ø3.1	0-1740195-2	0-1740195-5
DESCRIPTION	SHELL PLATING: TIN OVER Ni	SHELL PLATING: Ni



- REMARKS:
- △ CONTACT AREA: MIN. 0.8 µm Au OVER 1.27 µm Ni ;
SOLDER AREA: 3-5 µm Sn OVER MIN. 1.27 µm Ni
 - 2 PACKAGING SEE SHEET 2
 - 3 CONNECTOR SUITABLE TO LEAD-FREE SMT SOLDER PROCESS
 - △ TIN OVER NICKEL

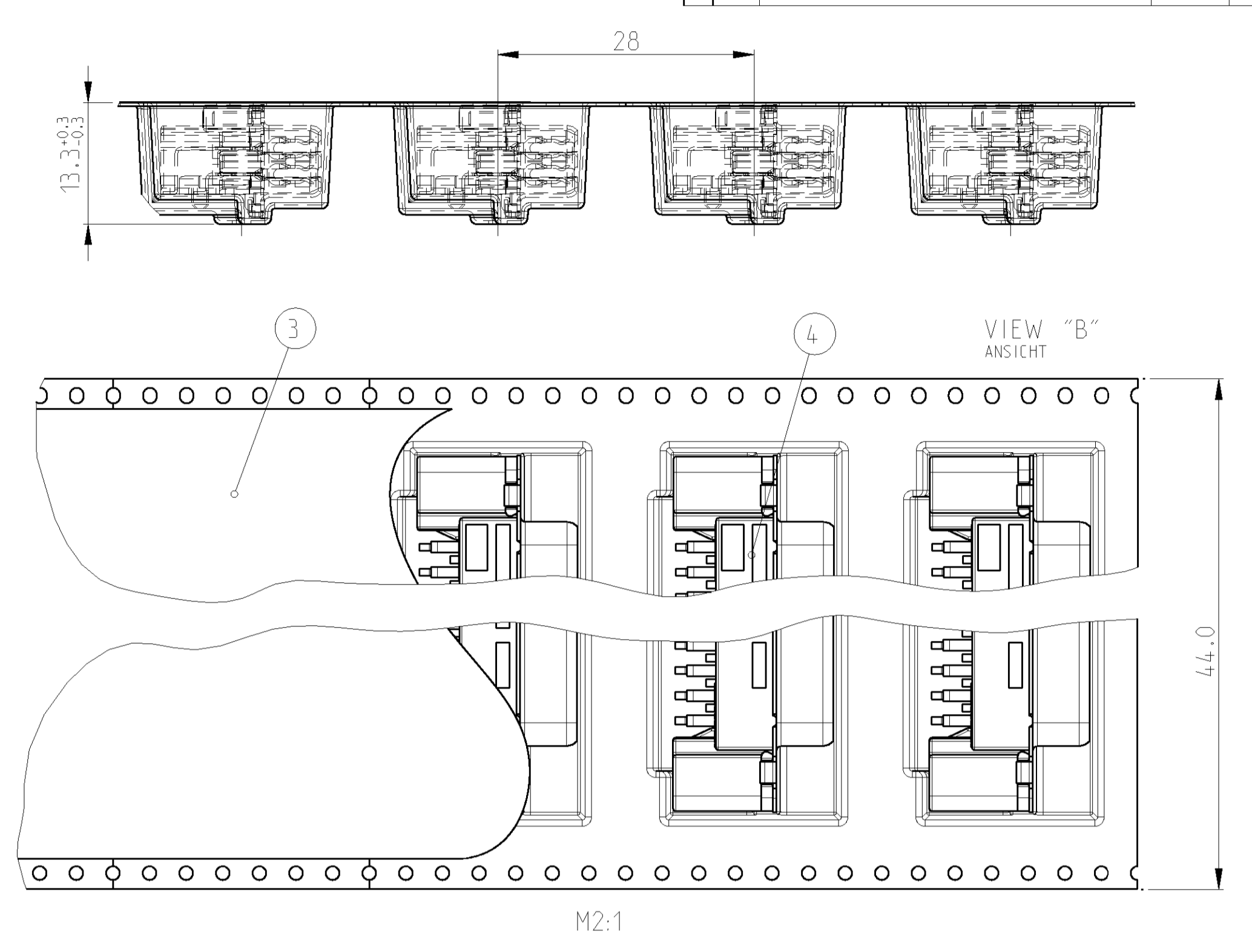
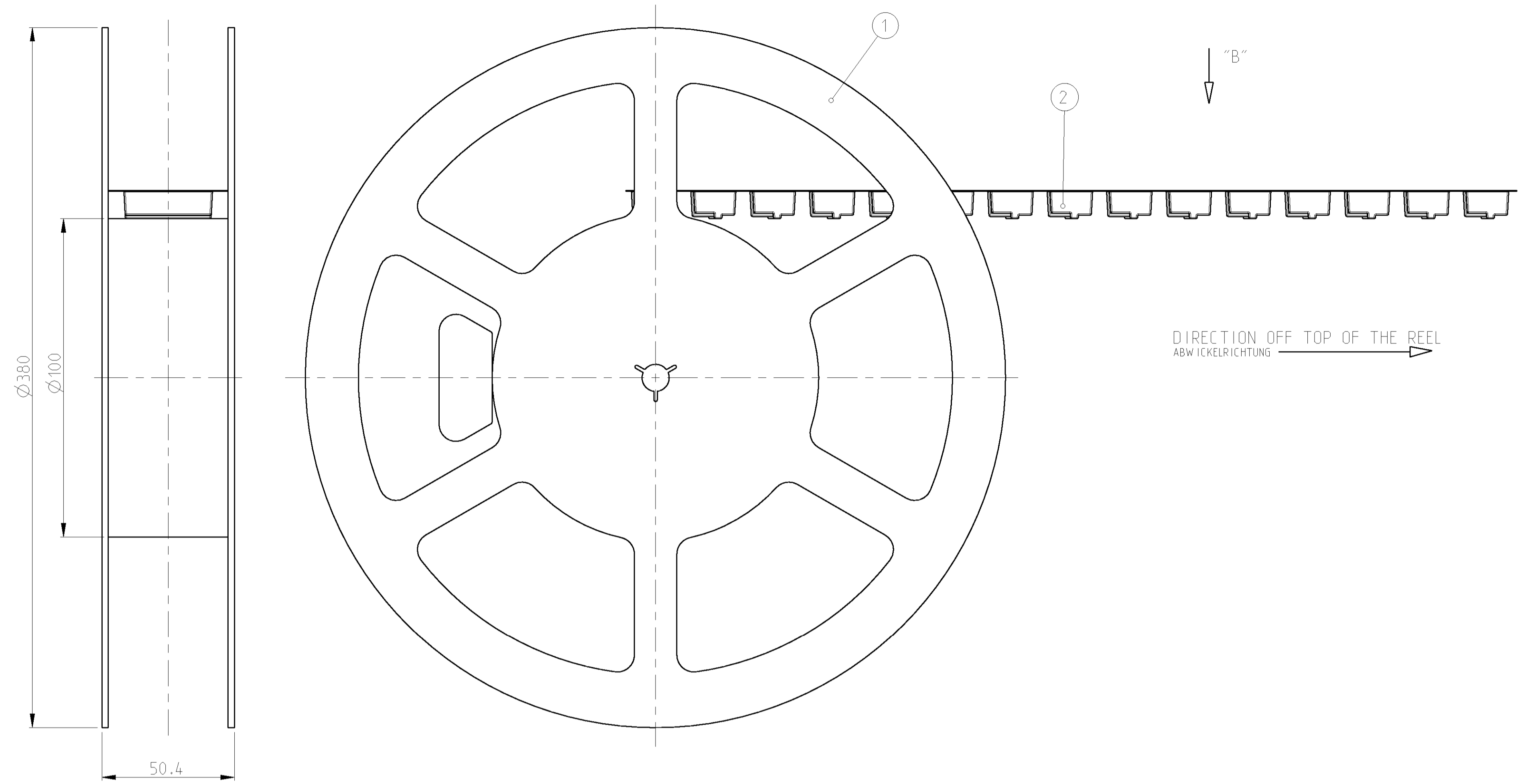
- BEMERKUNGEN:
- △ KONTAKTBEREICH: MIN. 0,8 µm Au ÜBER 1,27 µm Ni;
LÖTBEREICH: 3-5 µm Sn ÜBER MIN. 1,27 µm Ni
 - 2 VERPACKUNGSART SIEHE BLATT 2
 - 3 STECKER GEEIGNET FÜR BLEIFREIES LÖTEN
 - △ ZINN ÜBER NICKEL



POS.	QTY.	DESCRIPTION BENENNUNG	SURFACE OBERFLÄCHE COLOUR/FARBE	MATERIAL
6	2	THREAD STUD GEWINDEBOLZEN	NICKEL NICKEL	STEEL STAHL
5	5	PIN CONTACT, SMD, LONG STIFTKONTAKT, SMD, LANG	△	CuMg
4	4	PIN CONTACT, SMD, SHORT STIFTKONTAKT, SMD, KURZ	△	CuMg
3	2	BRACKET, SMD, LEFT/RIGHT WINKELSTÜCK, SMD, LINKS/RECHTS	△	CAST METAL DRUCKGUSS
2	1	PIN HOUSING STIFTGEHÄUSE	BLACK SCHWARZ	PCT-GF
1	1	SHELL SCHIRMBLECH	SEE TABLE SIEHE TABELLE	STEEL STAHL

DIMENSIONS: MASSENHEITEN: (MM)		TOLERANCES, UNLESS OTHERWISE SPECIFIED: ALLGEMEINTOLERANZEN		DWN L. SCHLUETER		DATE 01DEC2004		tyco Electronics		tyco Electronics AMP GmbH D - 64625 Bensheim	
0 PLC ± 1 PLC ± 2 PLC ± 3 PLC ± 4 PLC ±		0.2		NAME HD20 PIN HEADER; EUROSTYLE; SMT; 9POS. HD20 STIFTELEISTE; EUROSTYLE; SMT; 9POL.		SIZE A1		CAGE CODE 00779		DRAWING NO. 1740195	
MATERIAL SEE TABLE S-TABELLE		FINISH/SCHICHTEN/FARBE SEE TABLE S-TABELLE		WEIGHT GEWICHT		CUSTOMER DRAWING		SCALE MASSSTAB 4:1		SHEET BLATT 1 OF 2	

LOC	DIST	REVISIONS			
P	LTR	DESCRIPTION	DATE	BY	APPD
-	-	SEE SHEET 1	-	-	-



- REMARKS:**
- COVER TAPE WITH BLISTER BELT WELDED OR PASTED
 - BLISTER BELT, COVER AND TAPE ACC. TO DIN/IEC 286 PART 3
 - FIRST AND LAST RUNNING OF THE CARRIER TAPE ACC. TO DIN/IEC 286 PART 3
 - 7m BLISTERBELT AND 7.1m COVER TAPE, 225 LOOSE PIECE PARTS

- BEMERKUNGEN:**
- ABDECKBAND MIT BLISTERGURT VERSCHWEIBT ODER VERKLEBT
 - BLISTERGURT, ABDECKBAND UND REEL NACH DIN/IEC 286 TEIL 3
 - VOR- UND NACHLAUF AM BLISTERGURT NACH DIN/IEC 286 TEIL 3
 - 7m BLISTERGURT UND 7.1m ABDECKBAND, 225 EINZELTEILE

TYCO ORDER NO. BESTELL-NR.	POS.	TYCO PART NO.					DESCRIPTION BENENNUNG	SURFACE OBERFLAECHE COLOUR/FARBE	MATERIAL
		4-1740195-5	3-1740195-5	2-1740195-5	1-1740195-5	0-1740195-5			
1740195	4	225	-	-	-	-	SUB-D PIN HEADER, 9 POS., STUD M3 SUB-D STIFTSTECKER, 9 POL., BOLZEN M3	-	-
	4	-	225	-	-	-	SUB-D PIN HEADER, 9 POS., STUD UNC4-40 SUB-D STIFTSTECKER, 9 POL., BOLZEN UNC4-40	-	-
	4	-	-	225	-	-	SUB-D PIN HEADER, 9 POS., M3 SUB-D STIFTSTECKER, 9 POL., M3	-	-
	4	-	-	-	225	-	SUB-D PIN HEADER, 9 POS., UNC4-40 SUB-D STIFTSTECKER, 9POL., UNC4-40	-	-
	4	-	-	-	-	225	SUB-D PIN HEADER, 9 POS. SUB-D STIFTSTECKER, 9POL.	-	-
	3	7.1m	7.1m	7.1m	7.1m	7.1m	COVER BELT FOR BLISTER BELT ABDECKBAND FÜR BLISTERGURT	TRANSPARENT	PET
2	7m	7m	7m	7m	7m	BLISTER BELT BLISTERGURT	GREY/BLACK GRAU/SCHWARZ	PS	
1	1	1	1	1	1	REEL-PACKING MEHRWEGSPULE	GREY GRAU	PS	

DIMENSIONS: mm		TOLERANCES UNLESS OTHERWISE SPECIFIED:		DWN: 30NOV2004 L. SCHLUETER CHK: 01DEC2004 M. SCHAARBSCHMIDT		tyco Electronics Tyco Electronics AMP GmbH D - 64625 Bensheim	
		0 PLC	±	APVD: F. FELDMEIER		NAME: HD20 PIN HEADER; EUROSTYLE; SMT; 9POS. HD20 STIFTLISTE; EUROSTYLE; SMT; 9POL.	
		1 PLC	±	PRODUCT SPEC		SIZE: CAGE CODE: DRAWING NO. RESTRICTED TO	
		2 PLC	±	APPLICATION SPEC		A1 00779 C=1740195	
		3 PLC	±	WEIGHT		SCALE: 5:1 SHEET 2 OF 2 REV: A2	
		4 PLC	±	CUSTOMER DRAWING			
		ANGLES	±				
		FINISH	±				