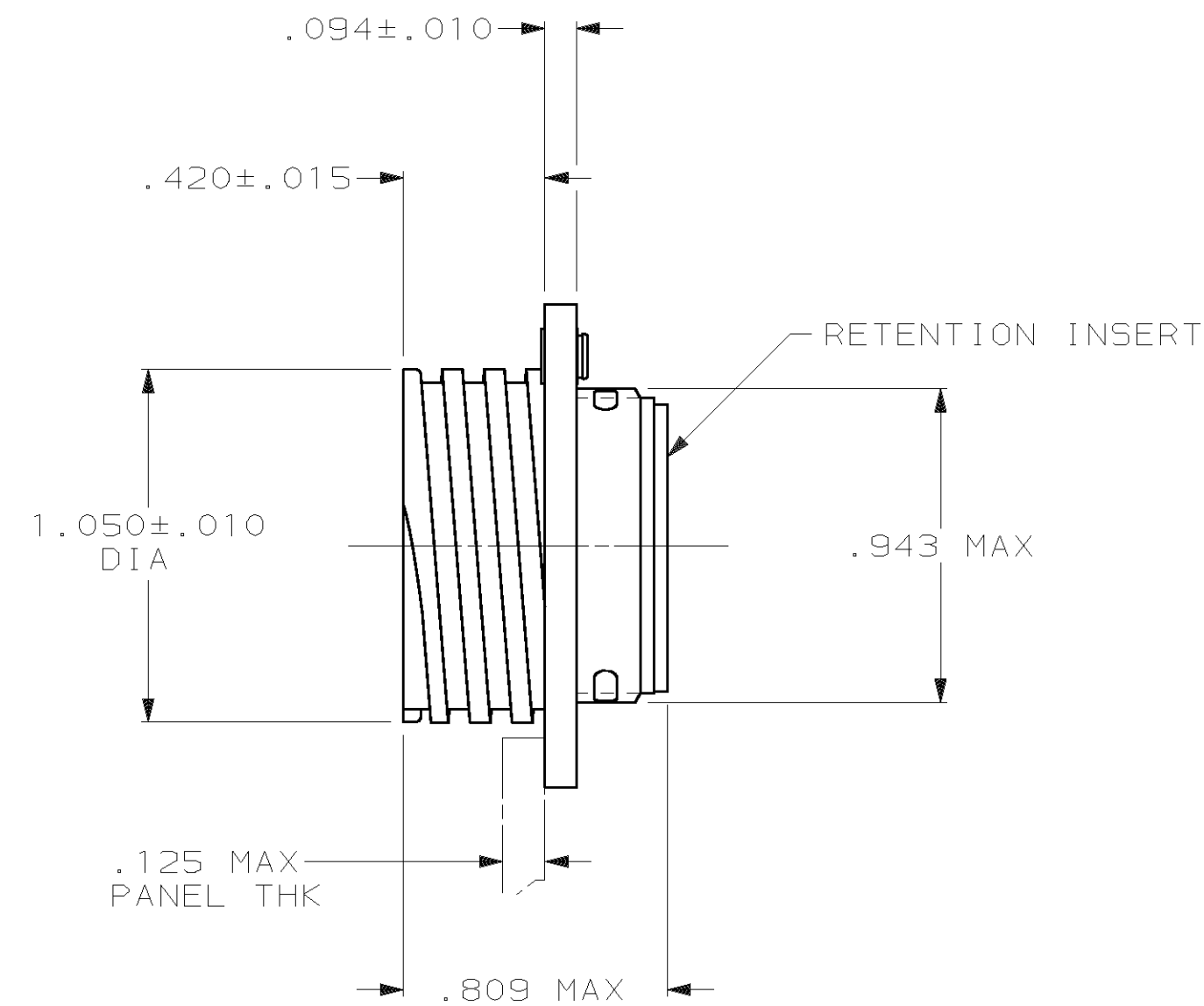
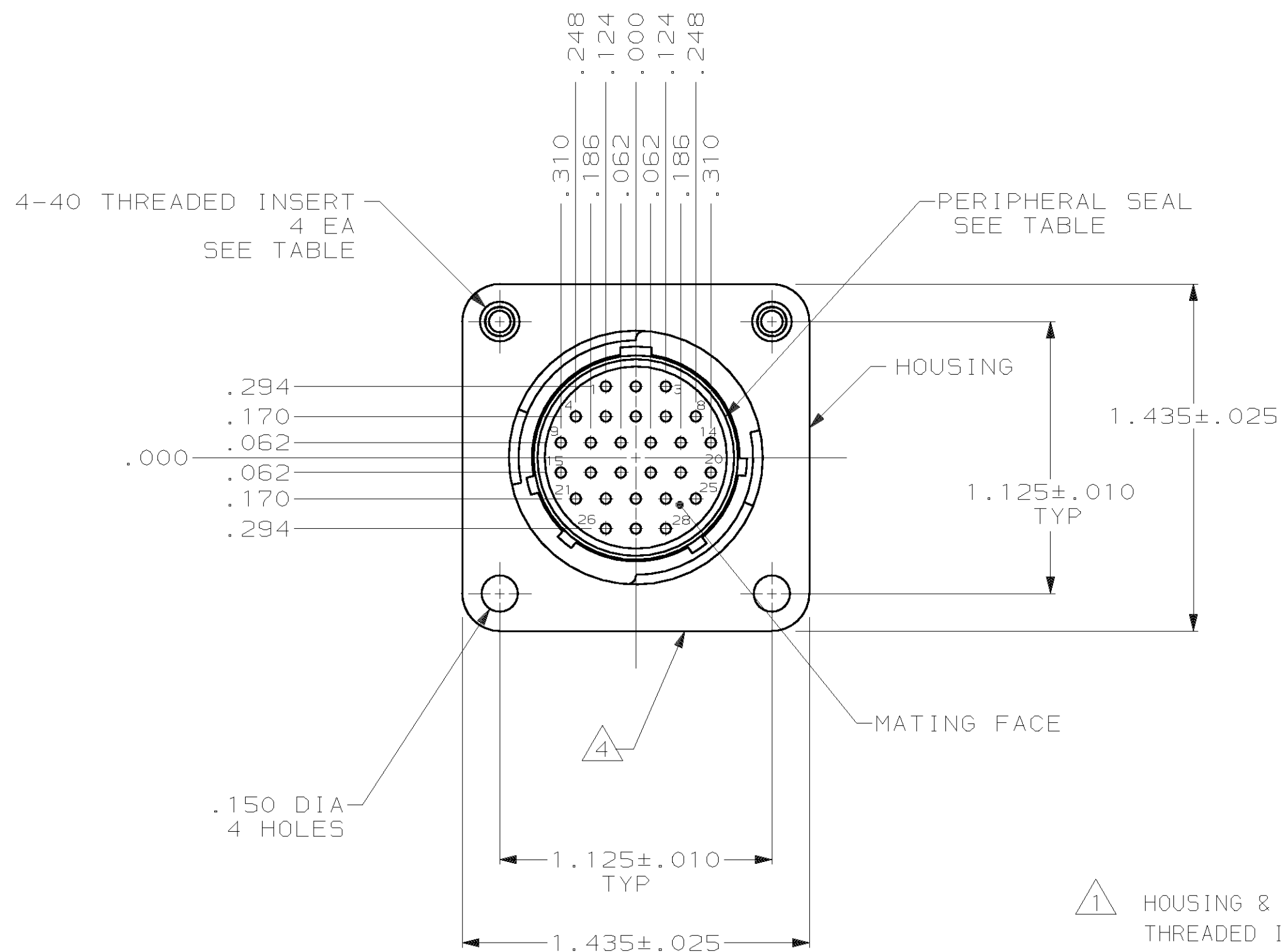
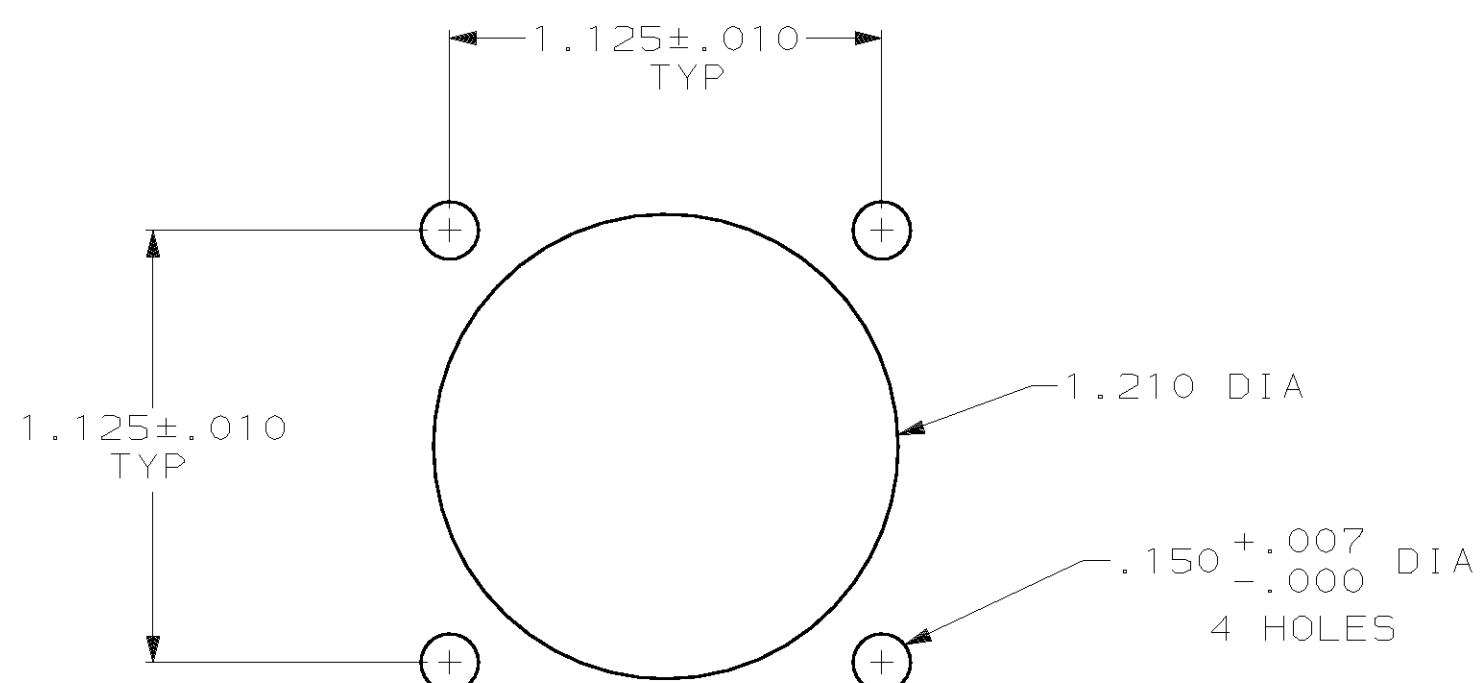


THIS DRAWING IS UNPUBLISHED. RELEASED FOR PUBLICATION  
 © COPYRIGHT 19 BY AMP INCORPORATED. ALL INTERNATIONAL RIGHTS RESERVED.

LOC	DIST	P	F	ZONE	LTR	DESCRIPTION	DATE	APPD
FT	4				F	REDRAWN	4/2/91	-
					G	ADDED -4 PER EC 0G1C-72-99	17 JUN 99	RB
					H	REVISED EC 0G3B-0155-01	19APR02	SH



- 1 HOUSING & RETENTION INSERT: THERMOPLASTIC, BLACK. THREADED INSERTS: BRASS.
- 2. CONTACT CAVITIES IDENTIFIED BY CHARACTERS ON FRONT AND REAR FACES OF CONNECTOR.
- 3. WILL ACCEPT (28) SIZE 20 PIN CONTACTS.
- 4 AMP AND PART NUMBER ANY EDGE.



PANEL CUTOUT

YES	YES	205840-5
NO	YES	205840-4
NO	NO	205840-3
PERIPHERAL SEAL	4-40 THREADED INSERTS	PART NUMBER

DO NOT SCALE PRINT. UNLESS SPECIFIED DIMENSIONS IN INCHES TOLERANCES ON : 2 PLC DEC ± - 3 PLC DEC ± .005 ANGLES ± -	DR 4/3/91 A.STAUB BG	AMP Incorporated Harrisburg, PA 17105-3608		
	CHK 7-24-92 W.G.LENKER			
MATERIAL 1	APPD 7-24-92 K.BEAVER	NAME		
	APPD 7-24-92 C.ROHDE	RECEPTACLE ASSEMBLY, STD SEX, SERIES 2, 17-28, CPC		
FINISH -	PRODUCT SPEC 108-10024	SIZE C	CAGE CODE 00779	DRAWING NO 205840
	APPLICATION SPEC -	WEIGHT -	SCALE 2:1	SHEET 1 OF 1