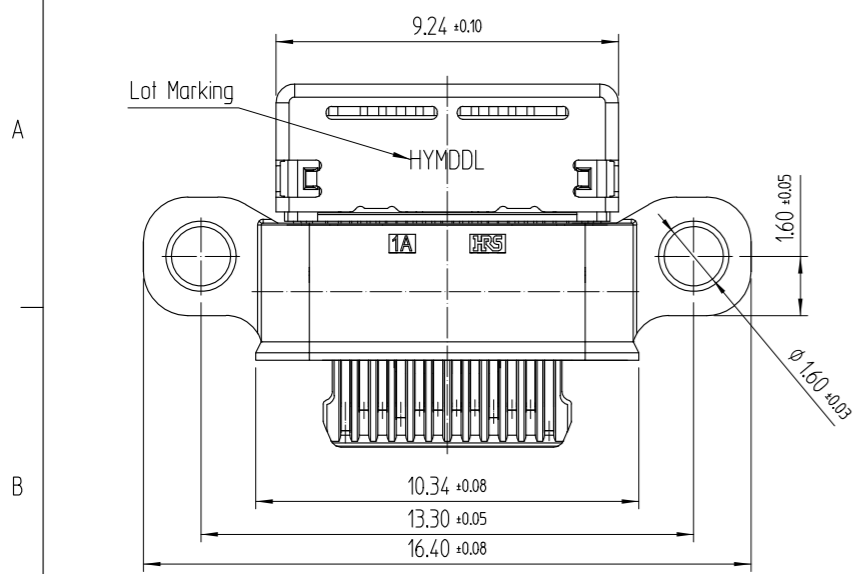
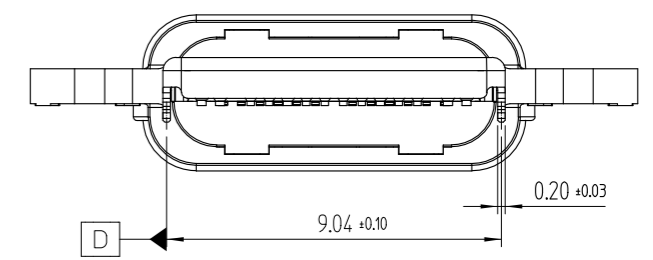
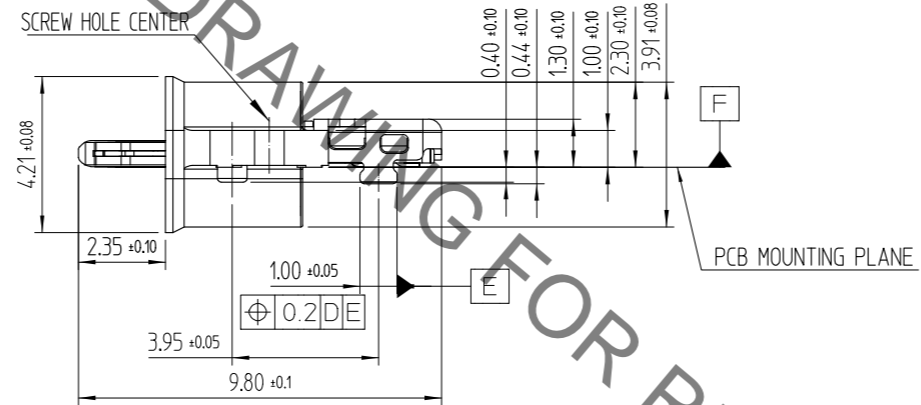
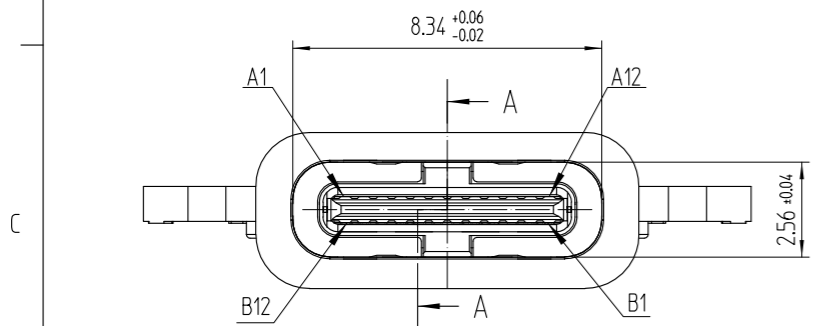
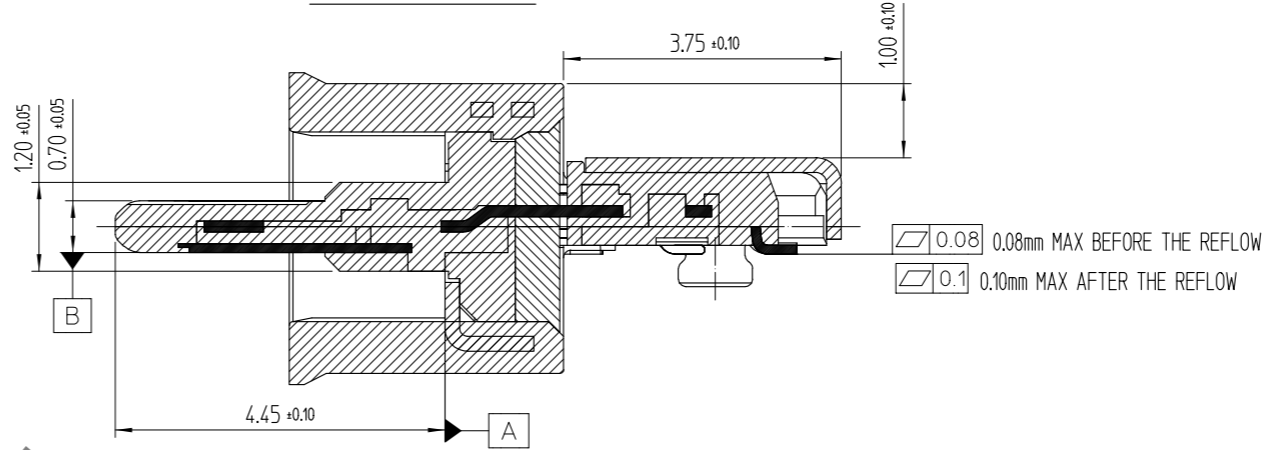


Nov.1.2020 Copyright 2020 HIROSE ELECTRIC CO., LTD. All Rights Reserved.
In case of consideration for using Automotive equipment / device which demand high reliability, kindly contact our sales window correspondents.

改正 REV.	變更履歷 NO. ECA NO.	訂正事項 DESCRIPTION OF REVISIONS	擔當 B	檢圖 CHKD	年月日 DATE	改正 REV.	變更履歷 NO. ECA NO.	訂正事項 DESCRIPTION OF REVISIONS	擔當 B	檢圖 CHKD	年月日 DATE
△						△					
△						△					
△						△					

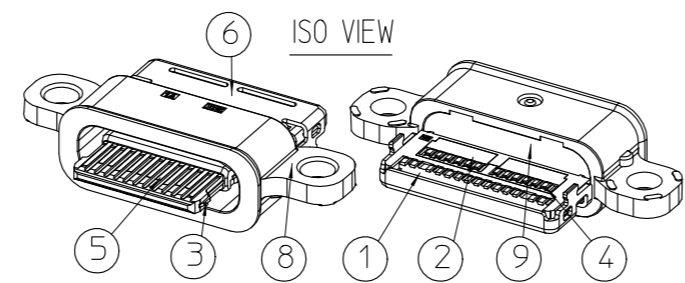
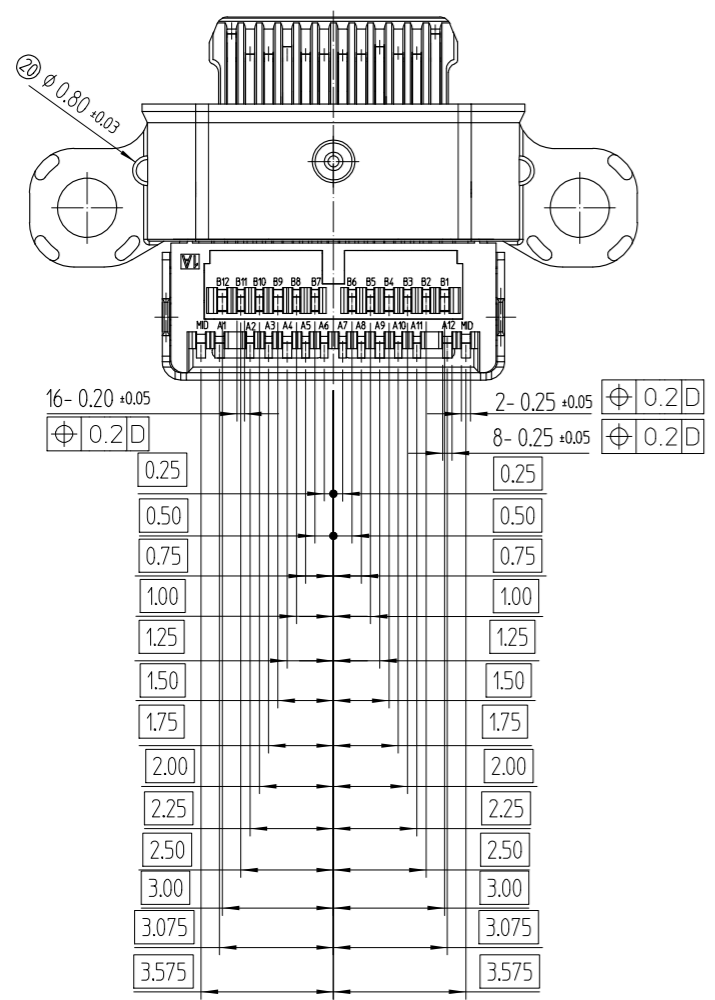


Section A-A(10:1)



2 PIN ASSIGNMENT (FRONT-VIEW)

A1	A2	A3	A4	A5	A6	A7	A8	A9	A10	A11	A12
GND	TX1+	TX1-	V _{bus}	CC1	D+	D-	SBU1	V _{bus}	RX2-	RX2+	GND
GND	RX1+	RX1-	V _{bus}	SBU2	D-	D+	CC2	V _{bus}	TX2-	TX2+	GND
B12	B11	B10	B9	B8	B7	B6	B5	B4	B3	B2	B1



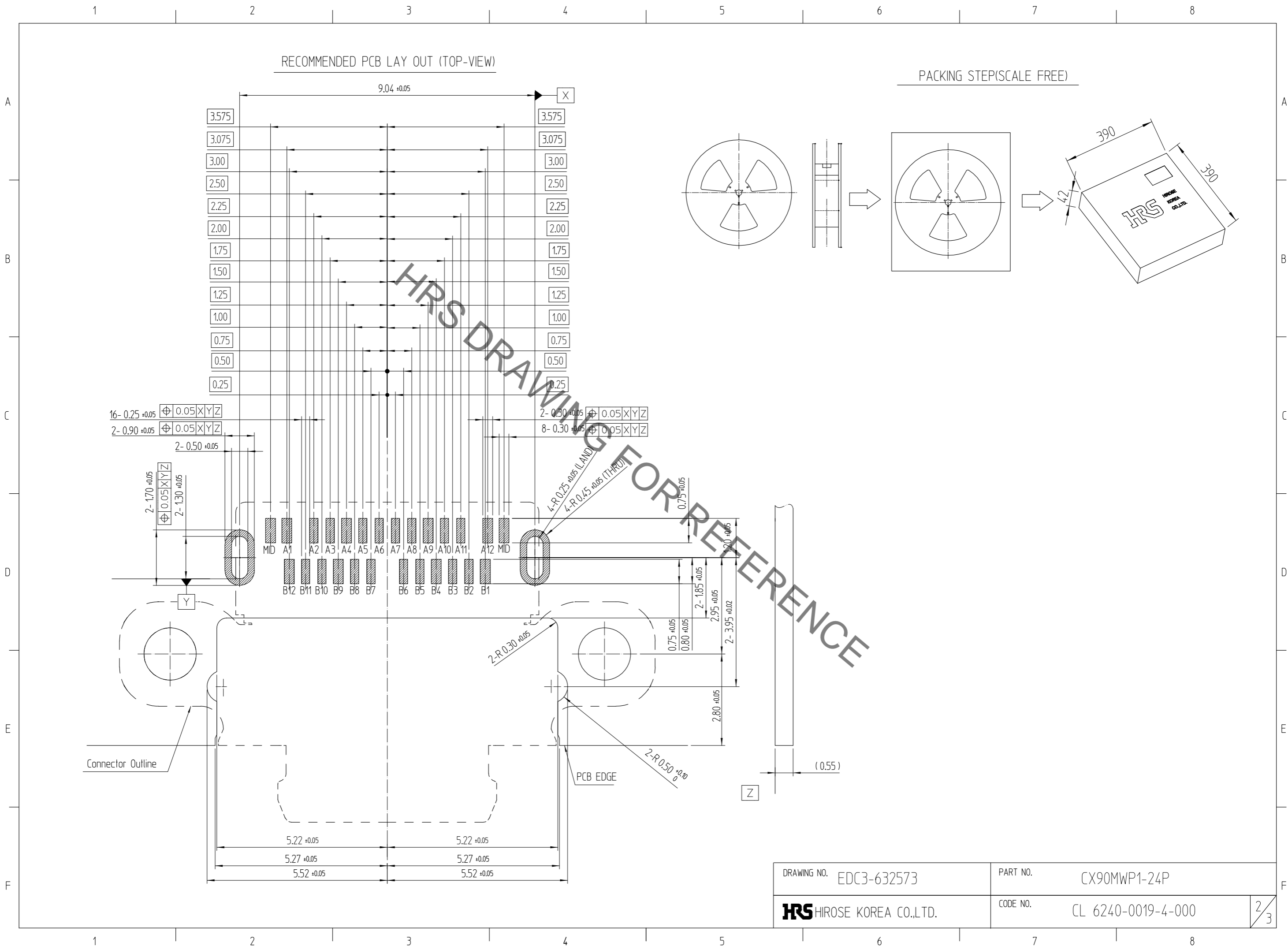
NOTE 1 LEAD CO-PLANARITY SHALL BE 0.08 MAX
 2 PIN ASSIGNMENT
 3 PACKING QUANTITY : 1000 PCS/REEL

NO.	PART NAME	MATERIAL	REMARKS
9	GLUE	EPOXY	Black Color
8	SLEEVE	PA4T F11	UL94V-0 / Black / CTI : 600 (0 Grade)
7	INNER SHELL	SUS301 H	CLEANSING
6	SUB SHELL	SUS316L	Over all: 125 μm min. Ni underplated
5	CONTACT 2nd	EFTEC-550E	Over all : 2.0μm~7.6μm Ni underplated
4	CONTACT 1ST	EFTEC-550E	Contact area : 0.76μm min. Au plated (Gold flash all over of contact including side and bottom side) Solder tail : 0.076~0.20 μm Au Plated
3	MID PLATE	SUS301 H	Over all: 125 μm min. Ni underplated
2	INSERT MOLD 2ND	PA46 HFX31S	UL94V-0 / Black / CTI : 525 (1 Grade)
1	INSERT MOLD 1ST	PA46 HFX31S	UL94V-0 / Black / CTI : 525 (1 Grade)

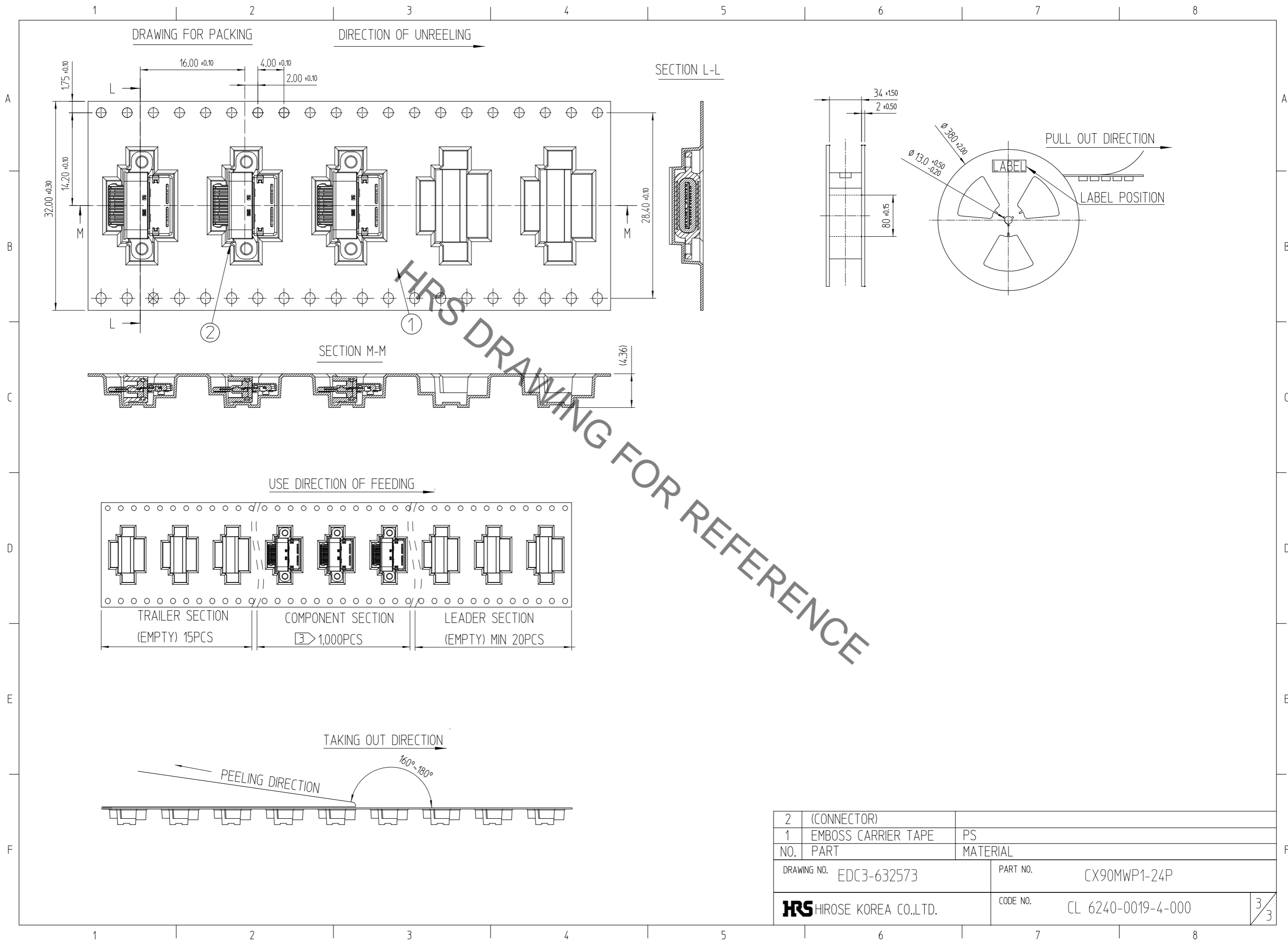
HUAWEI CODE NO. (HUAWEI PART NO.)		DRAWN	DESIGNED	CHECKED	APPROVED	RELEASED
		Y.B.PARK	Y.B.PARK	H.J.LEE	H.J.LEE	ENG 19.07.23 DEPT
TITLE		DRAWING NO.		PART NO.		
IP53 Type-C Receptacle		EDC3-632573		CX90MWP1-24P		
SCALE		UNITS		CODE NO.		
5:1		mm		CL 6240-0019-4-000		1/3

DRAWING NO.		PART NO.	
EDC3-632573		CX90MWP1-24P	
UNITS		CODE NO.	
mm		CL 6240-0019-4-000	

Nov.1.2020 Copyright 2020 HIROSE ELECTRIC CO., LTD. All Rights Reserved.
 In case of consideration for using Automotive equipment / device which demand high reliability, kindly contact our sales window correspondents.



Nov.1.2020 Copyright 2020 HIROSE ELECTRIC CO., LTD. All Rights Reserved.
 In case of consideration for using Automotive equipment / device which demand high reliability, kindly contact our sales window correspondents.



2	(CONNECTOR)	
1	EMBOSS CARRIER TAPE	PS
NO.	PART	MATERIAL
DRAWING NO. EDC3-632573		PART NO. CX90MWP1-24P
HRS HIROSE KOREA CO.,LTD.		CODE NO. CL 6240-0019-4-000