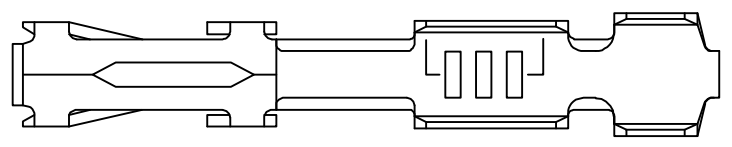
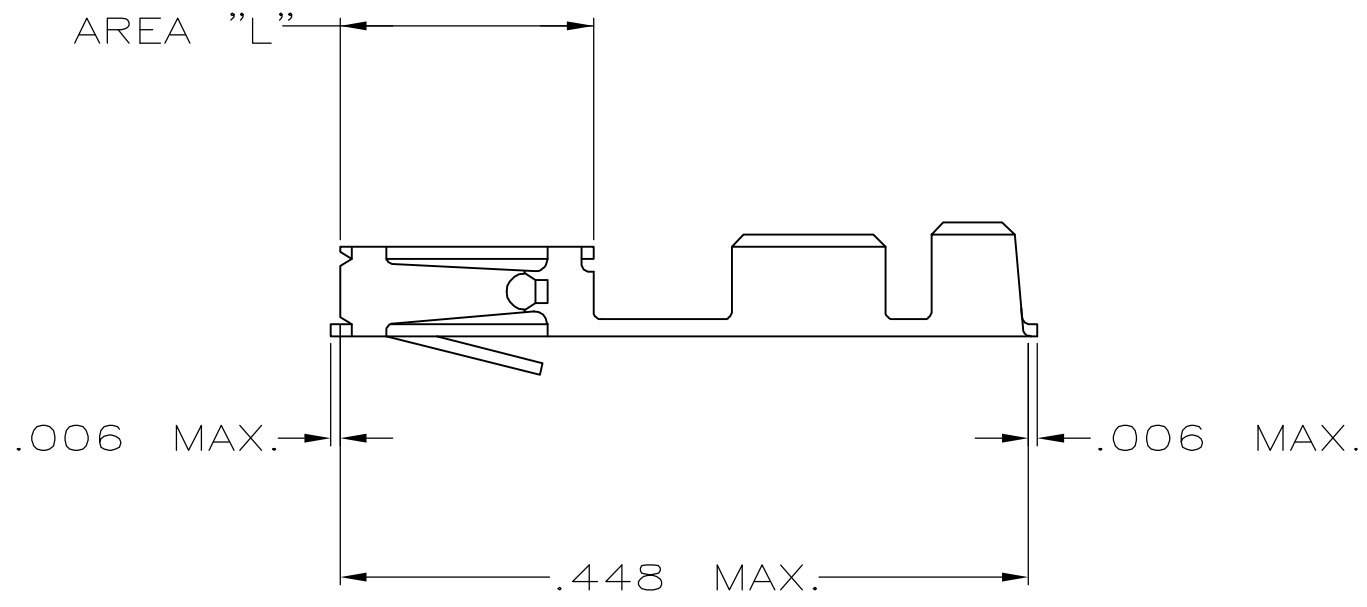


THIS DRAWING IS UNPUBLISHED. RELEASED FOR PUBLICATION
 © COPYRIGHT - BY TYCO ELECTRONICS CORPORATION. ALL RIGHTS RESERVED.

LOC	DIST	REVISIONS					
AD	00	P	LTR	DESCRIPTION	DATE	DWN	APVD
			B	RELEASED	-	-	-



1. LOOSE PIECE TERMINAL MUST MEET ALL APPLICABLE STRIP SPECIFICATIONS IN ADDITION TO THOSE SHOWN.
2. .000030 MIN. GOLD OVER .000050-.000100 NICKEL.
3. GOLD FLASH OVER .000050-.000100 NICKEL
.000030 GOLD ON CONTACT AREA.
4. PREPLATING: .000078-.000158 BRIGHT TIN (HALT)
PER 112-20-6
5. .000050 GOLD OVER .000050-.000100 NICKEL.
6. GOLD FLASH OVER .000050-.000100 NICKEL
.000015 GOLD ON CONTACT AREA.
7. GOLD FLASH ON AREA "L"
.000050 GOLD ON CONTACT AREA.
ALL OVER .000050-.000100 NICKEL ENTIRE CONTACT.



		-	-
OBSOLETE	7	1-87666-6	87667-6
	6	87666-5	87667-5
	5	87666-4	87667-4
	4	87666-3	87667-3
	3	87666-2	87667-2
	2	87666-1	87667-1
	FINISH	MAKE FROM STRIP PART NO.	PART NUMBER

THIS DRAWING IS A CONTROLLED DOCUMENT.		DWN M.BINNER 27JUN06	Tyco Electronics Corporation Harrisburg, PA 17105-3608			
DIMENSIONS: INCHES		CHK D.ROHDE 27JUN06				
TOLERANCES UNLESS OTHERWISE SPECIFIED:		APVD D.ROHDE 27JUN06	NAME CONTACT, FEMALE, MOD IV, CRIMP SNAP-IN (LOOSE PIECE)			
0 PLC ± - 1 PLC ± - 2 PLC ± .02 3 PLC ± .005 4 PLC ± .0005 ANGLES ± 0'30"		PRODUCT SPEC -	APPLICATION SPEC -			
MATERIAL SEE TABLE	FINISH SEE TABLE	WEIGHT -	SIZE A3	CAGE CODE 00779	DRAWING NO C-87667	RESTRICTED TO -
CUSTOMER DRAWING			SCALE 8:1	SHEET 1 OF 1	REV B	