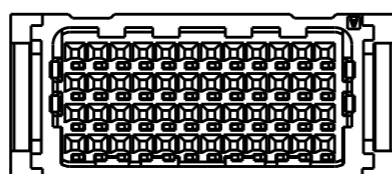
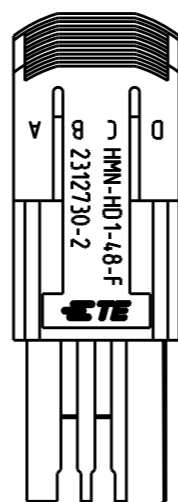
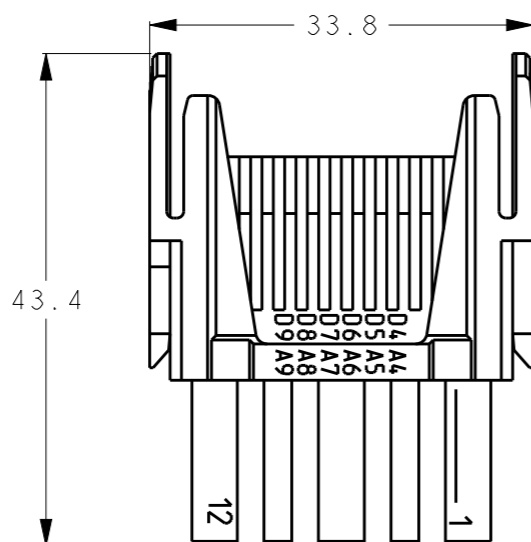
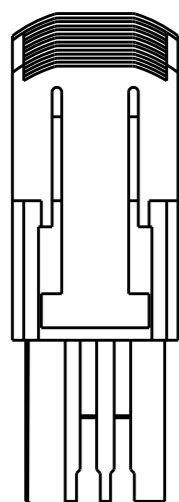
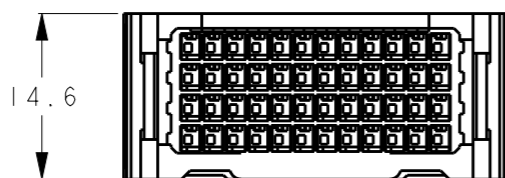
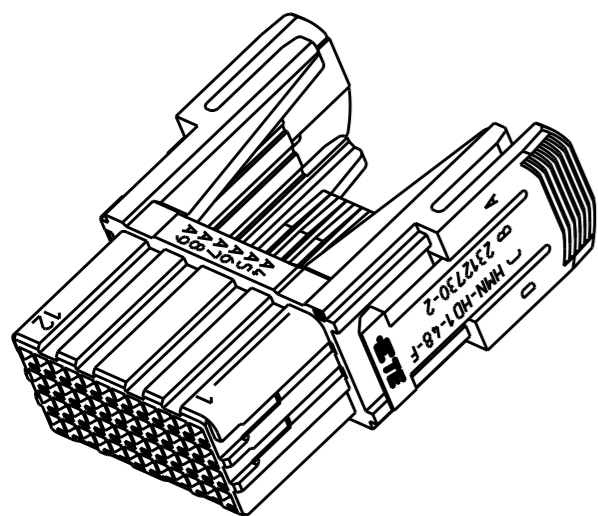


REVISIONS

P	LTR	DESCRIPTION	DATE	DWN	APVD
	A	RELEASED	13DEC2017	RI	EI
	A1	REVISED PER ECR-18-004154	04APR2018	RI	EI
	A2	REVISED PER ECR-18-009650	21JUN2018	TS	EI



- TECHNICAL CHARACTERISTICS :
 INSULATION MATERIAL : PBT
 RATED VOLTAGE : 32V
 RATED CURRENT : 2.2A
 INSULATION RESISTANCE : $\geq 100M\Omega$
 RATED IMPULSE VOLTAGE : 0.8KV
 POLLUTION DEGREE : 3
 FLAMMABILITY : UL94V-0
 MATING CYCLES : 500 CYCLES
 OPERATION TEMPERATURE : $-40^{\circ}C \sim +125^{\circ}C$
 WIRE RANGE : 0.05SQmm~0.37SQmm
 CONTACT TYPE : CRIMP CONTACT
- CONTACT NEED TO BE ORDERED SEPARATELY.
 (ORDER No. REFER TO DRAWING : SEE TABLE 1)
- FRAMES NEED TO BE ORDERED SEPARATELY.
 (ORDER No. REFER TO DRAWING : SEE TABLE 2)

TABLE 1

INSULATION RANGE	WIRE RANGE	SIZE	REEL	L/P	DESCRIPTION
1.08-1.6	AWG28-22, 0.08-0.37SQmm	M	2316670-2	2316671-2	HDI RECEPTACLE CONTACT
0.6-1.2	AWG30-28, 0.05-0.10SQmm	S	2316670-1	2316671-1	
			PART NUMBER		

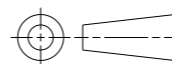
TABLE 2

H24B FEMALE FRAME FOR 6 MODULES	T2070244201-002
H16B FEMALE FRAME FOR 4 MODULES	T2070164201-002
H10B FEMALE FRAME FOR 3 MODULES	T2070104201-002
H6B FEMALE FRAME FOR 2 MODULES	T2070064201-002
H10A FEMALE FRAME FOR 1 MODULE	T2079104201-002
DESCRIPTION	PART NUMBER

2312730-2
PART NUMBER

THIS DRAWING IS A CONTROLLED DOCUMENT.

DIMENSIONS:
mm



TOLERANCES UNLESS OTHERWISE SPECIFIED:

- 0 PLC ± 0.5
- 1 PLC ± 0.5
- 2 PLC ± 0.5
- 3 PLC ± 0.5
- 4 PLC ± 0.5
- ANGLES $\pm 5^{\circ}$

MATERIAL
SEE NOTE

FINISH

DWN R. ITO 13DEC2017

CHK T. SHIMOYASU 13DEC2017

APVD F. IKEMATSU 13DEC2017

PRODUCT SPEC 108-140152

APPLICATION SPEC 114-78022

WEIGHT 9.16g

CUSTOMER DRAWING



NAME
MODULE INSERT HMN-HD1-48-F
HDC DYNAMIC

SIZE A3 CAGE CODE - DRAWING NO C-2312730 RESTRICTED TO -

SCALE 3:2 SHEET 1 OF 1 REV A2