

This Drawing is the property of J.S.T.(U.K.) Ltd.
It must not be copied or used for manufacturing
without written permission from J.S.T.(U.K.) Ltd.

**UNCONTROLLED
CUSTOMER ISSUE**

Page 1 / 2

CS-63N004-G	63N004-G	PA6 (6 MV 14 FR 4 K1681)	UL94V-2* ¹	Natural	130	E172855	--
CS-63N304-G	63N304-G	PA6 (6 MV 14 FR 4 K1681)	UL94V-2* ¹	Red	130	E172855	--
CS-63N004V0	63N004V0	PA68	UL94V-0	Natural	140	E172855	--
CS-63N504STY	63N504STY	PA46	UL94V-2	Black	150	E172855	--
CS-63N004STY	63N004STY	PA46	UL94V-2	Natural	150	E172855	--
CS-63N304V0	63N304V0	PA68	UL94V-0	Red	140	E172855	--
CS-63N504V0	63N504V0	PA68	UL94V-0	Black	140	E172855	--
01022-250 Red	63N304	PA66	UL94V-2	Red	105	E172855	--
01022-250 Green	63N404	PA66	UL94V-2	Green	105	E172855	--
01022-250 Brown	63NMA04	PA66	UL94V-2	Brown	105	E172855	--
01022-250 Blue	63N604	PA66	UL94V-2	Blue	105	E172855	--
01022-250 Black	63N504	PA66	UL94V-2	Black	105	E172855	--
01022-250	63N004	PA66	UL94V-2	Natural	105	E172855	--
JST Part Number	Mfg Number	Material	Flame Class	Colour	Max Operating Temp (°C)	UL Card No.	//

Revision Record	Update dimensional info	10.09.13
	Add DIN 46247 to applicable terminal.	30.09.10
	Change PA66 temp from 130 to 105°C	20.07.10
	Add suffix; 504V0	02.03.10
	Re: Glow wire approved part. Change part suffix; NF to -G.	12.02.09
	Modification Detail	Date

JST

Notes;

*1. Part meets the Glow Wire requirements of; IEC 60695-2-11

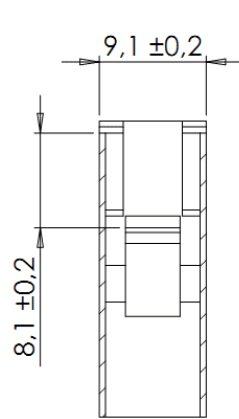
Part Description & General Details:

Housing for 6.3 (.250) receptacle.
Applicable JST terminal;
STO-*.*(*)-250N* (DIN 46247)

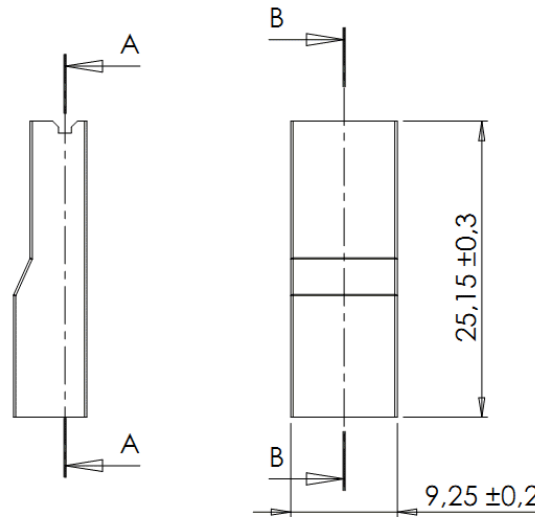
Series:	63 Series	
Drawing Ref:	CS63N004-241194	
Issued by:	ZG	31.10.02
Approved by:	AR	31.10.02

This Drawing is the property of J.S.T.(U.K.) Ltd.
It must not be copied or used for manufacturing
without written permission from J.S.T.(U.K.) Ltd.

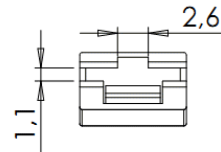
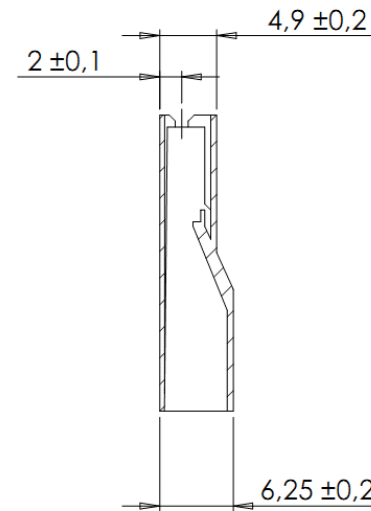
**UNCONTROLLED
CUSTOMER ISSUE**



SEZIONE A-A



SEZIONE B-B



Revision Record	Update dimensional info	10.09.13
	Add DIN 46247 to applicable terminal.	30.09.10
	Change PA66 temp from 130 to 105°C	20.07.10
	Add suffix; 504V0	02.03.10
	Re: Glow wire approved part. Change part suffix; NF to -G.	12.02.09
Modification Detail	Date	

JST

Notes;
*1. Part meets the Glow Wire requirements of; IEC 60695-2-11

Part Description & General Details:		
Housing for 6.3 (.250) receptacle. Applicable JST terminal; STO-*.*(*)-250N* (DIN 46247)		
Series:	63 Series	
Drawing Ref:	CS63N004-241194	
Issued by:	ZG	31.10.02
Approved by:	AR	31.10.02