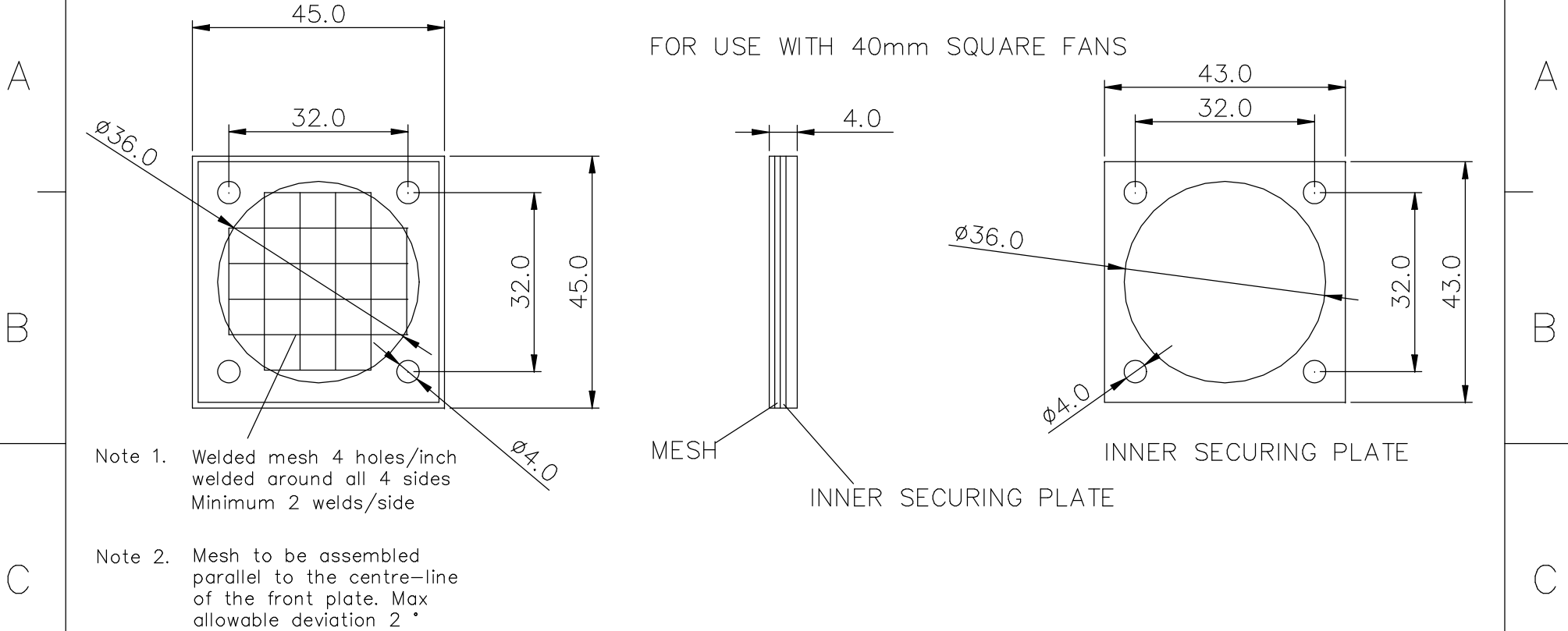


DRAWN TO BS.8888

FOR USE WITH 40mm SQUARE FANS



Note 1. Welded mesh 4 holes/inch welded around all 4 sides Minimum 2 welds/side

Note 2. Mesh to be assembled parallel to the centre-line of the front plate. Max allowable deviation 2°

			DO NOT SCALE REMOVE ALL BURRS AND SHARP EDGES				PAPST plc	
2	25.02.04	1757	MATERIAL		SCALE			
1	20/02/02	1537	MESH 0.75mm DIA STEEL		NTS		TITLE PRF40 (RFI SCREEN)	
REV.	DATE	MOD NO.	PLATE 0.85mm STEEL		CHKD			
DIMENSIONS IN MM U.O.S			FINISH		DRAWN		DATE	
UNTOLERANCED DIMS:			NICKEL PLATED		PY		20/02/02	
NO DEC.PLACE ±0.5 MM					REV.		PLC PART No.	
1 DEC.PLACE ±0.2 MM					2		DRG.NO.	
2 DEC.PLACES ±0.1 MM							ACDR2271	
ANGULAR ±0.5°							SHT OF	