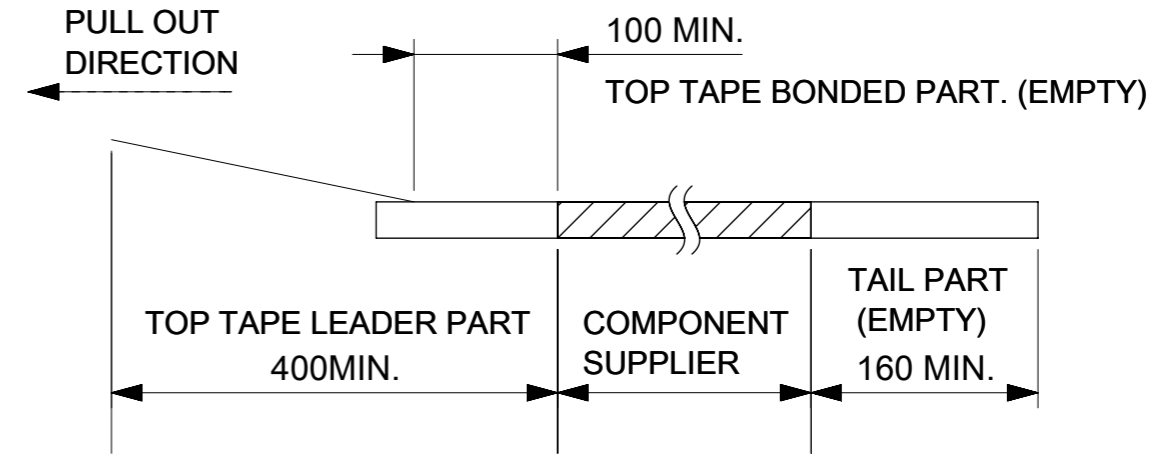
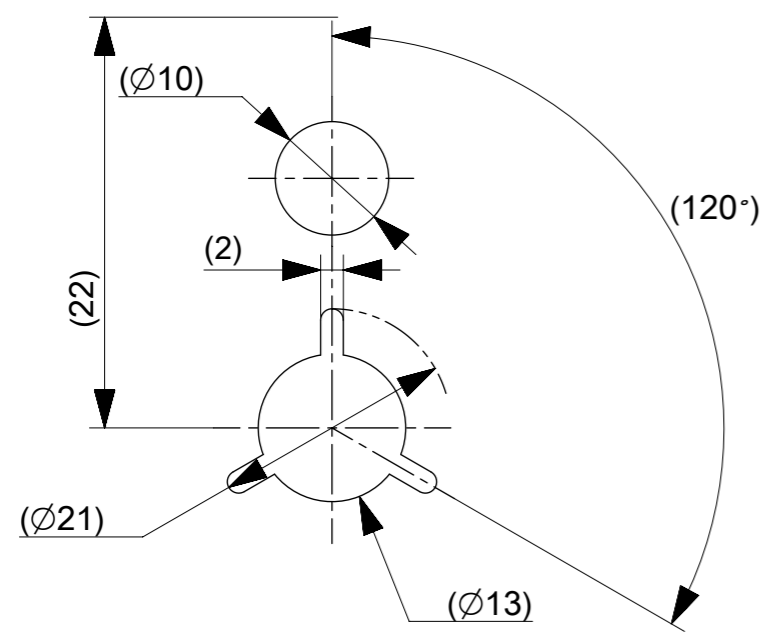


NOTES

- 1. RE DETAILED DIMENSION, SEE PRODUCT DRAWING.
- 2. NUMBER OF CONNECTORS : 15000PCS/REEL
- 3. LEAD TAPE LENGTH.

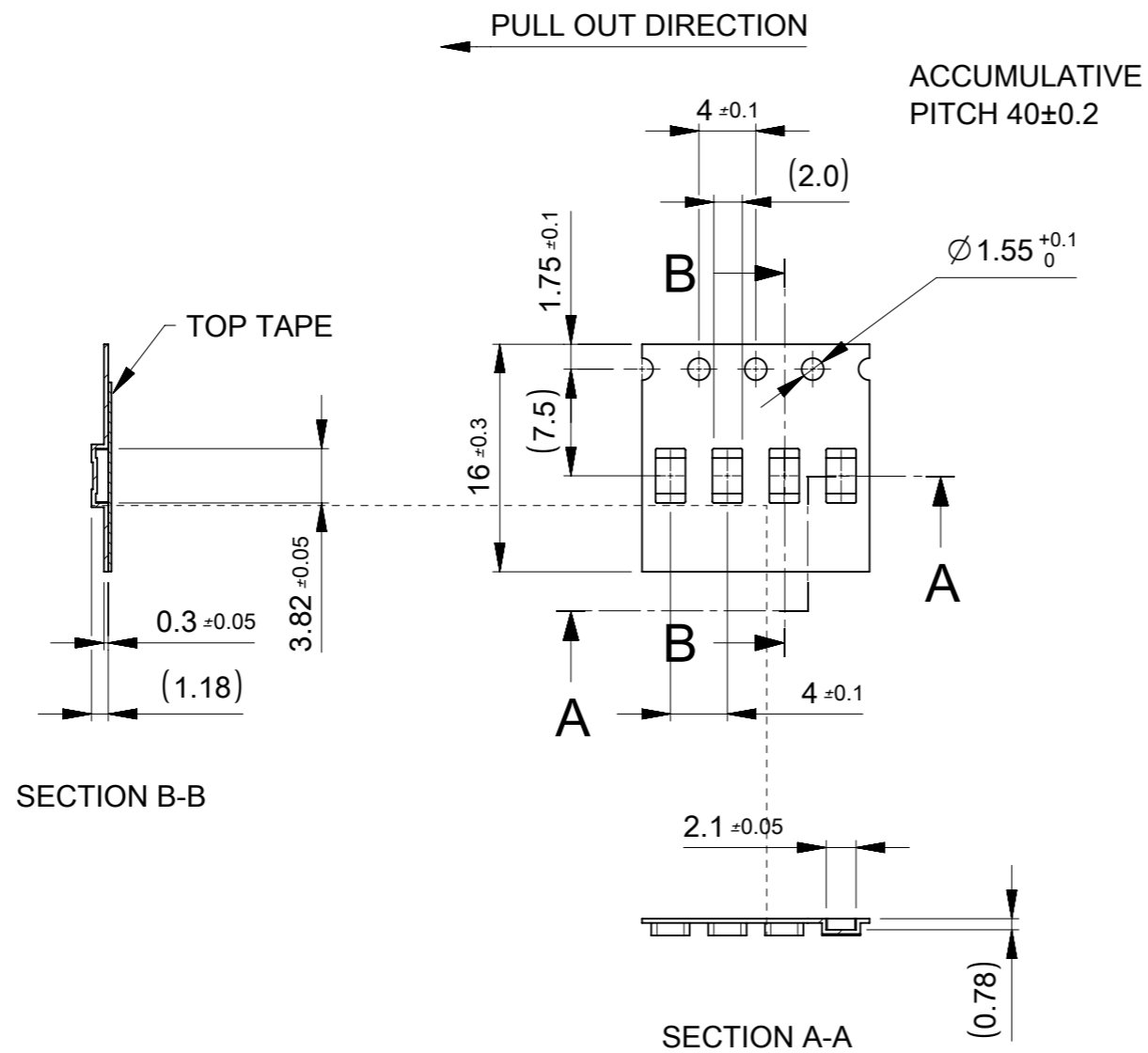


- 4. PEELING OFF FORCE OF THE TOP TAPE IS DEFINED BY IEC60286-3.
- 5. MATERIAL
 CARRIER TAPE : POLYSTYRENE OR PET
 TOP TAPE : PET , OTHER
 REEL : POLYSTYRENE (PS) < RECYCLE MATERIAL CONTAINED >



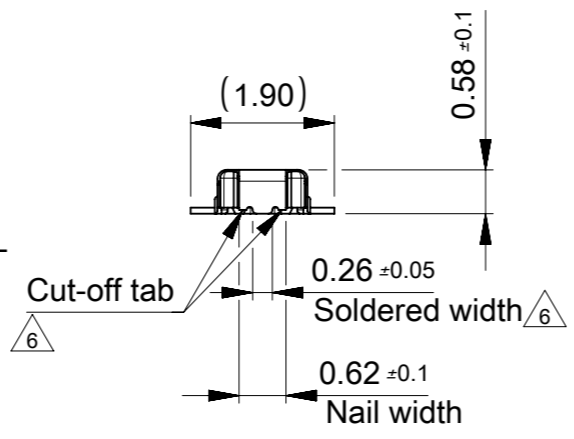
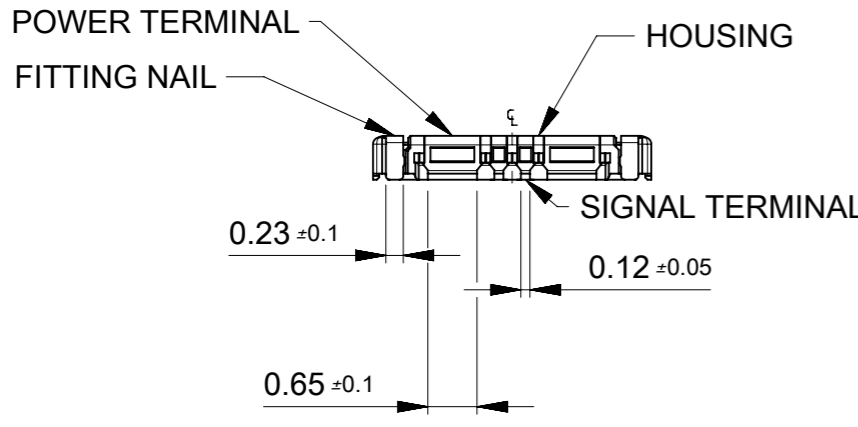
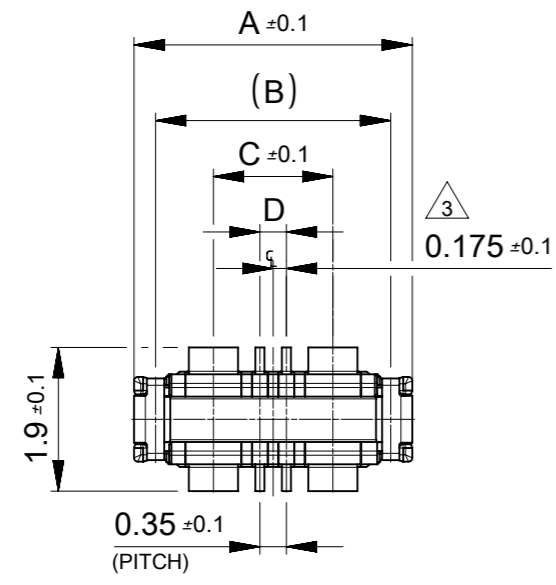
DETAIL "D"

| | | | | | | | | | |
|---|--|-------|---|--------------------|----------------------------|-----------------|--------|---------|--|
| THIS DRAWING CONTAINS INFORMATION THAT IS PROPRIETARY TO MOLEX ELECTRONIC TECHNOLOGIES, LLC AND SHOULD NOT BE USED WITHOUT WRITTEN PERMISSION | | | | | | | | | |
| SYMBOLS | DIMENSION UNITS | SCALE | CURRENT REV DESC: | | | | | | |
| | mm | 1:1 | <p>molex</p> <p>0.35 BB H=0.7 GCB7 PLUG EMBOSS PACKAGE</p> <p>PRODUCT CUSTOMER DRAWING</p> | | | | | | |
| ▽ = 0 | GENERAL TOLERANCES (UNLESS SPECIFIED) | | EC NO: 634655 | DRWN: TTANIGUCHI01 | 2019/12/26 | DOCUMENT NUMBER | | | |
| ▽ = 0 | ANGULAR TOL ± 3.0° | | DRWN: TTANIGUCHI01 | 2020/03/26 | 2111760000-SD | | | | |
| ▽ = 0 | 4 PLACES ± 0.03 | | CHK'D: YNAITO | 2020/03/26 | DOC TYPE DOC PART REVISION | | | | |
| ▽ = 0 | 3 PLACES ± 0.03 | | APPR: RTAKEUCHI | 2020/03/26 | PSD 000 A | | | | |
| ▽ = 0 | 2 PLACES ± 0.05 | | INITIAL REVISION: | | | MATERIAL NUMBER | | | |
| ▽ = 0 | 1 PLACE ± 0.1 | | DRWN: TTANIGUCHI01 | | | 211176 | | | |
| ▽ = 0 | 0 PLACES ± 0.2 | | APPR: RTAKEUCHI | | | CUSTOMER | | | |
| ■ = 0 | DRAFT WHERE APPLICABLE MUST REMAIN WITHIN DIMENSIONS | | THIRD ANGLE PROJECTION | DRAWING | SERIES | SEE CHART | | GENERAL | |
| ▽ = 0 | | | A3-SIZE | 211176 | SHEET NUMBER | | 1 OF 2 | | |



| | | | |
|---------------|--|---------------|------|
| 2111760080 | ○ | --- | 4+4 |
| ORDER NO. | HIGH VOL. TOOL | LOW VOL. TOOL | Ckt. |
| | SAMPLE PREPARATION ○ : TOOLED △ : WORK IN PROCESS --- : TOOLING TO BE CONFIRMED | | |
| CONNECTOR No. | 2111761080 | | |

| | | | |
|---------|---|----------|--|
| SYMBOLS | THIS DRAWING CONTAINS INFORMATION THAT IS PROPRIETARY TO MOLEX ELECTRONIC TECHNOLOGIES, LLC AND SHOULD NOT BE USED WITHOUT WRITTEN PERMISSION | | |
| | DIMENSION UNITS | SCALE | CURRENT REV DESC: |
| ▽ = 0 | mm | 2:1 | EC NO: 634655 DRWN: TTANIGUCHI01 2019/12/26 CHK'D: YNAITO 2020/03/26 APPR: RTAKEUCHI 2020/03/26 INITIAL REVISION: DRWN: TTANIGUCHI01 2019/01/09 APPR: RTAKEUCHI 2020/03/26 |
| ▽ = 0 | GENERAL TOLERANCES (UNLESS SPECIFIED) | | |
| ▽ = 0 | ANGULAR TOL ± 3.0° | | |
| ▽ = 0 | 4 PLACES | ± 0.03 | |
| ▽ = 0 | 3 PLACES | ± 0.03 | |
| ▽ = 0 | 2 PLACES | ± 0.05 | |
| ▽ = 0 | 1 PLACE | ± 0.1 | |
| ▽ = 0 | 0 PLACES | ± 0.2 | |
| □ = 0 | DRAFT WHERE APPLICABLE MUST REMAIN WITHIN DIMENSIONS | | |
| ▽ = 0 | THIRD ANGLE PROJECTION | DRAWING | SERIES |
| | | A3-SIZE | 211176 |
| | MATERIAL NUMBER | CUSTOMER | SHEET NUMBER |
| | 2111760000-SD | GENERAL | 2 OF 2 |

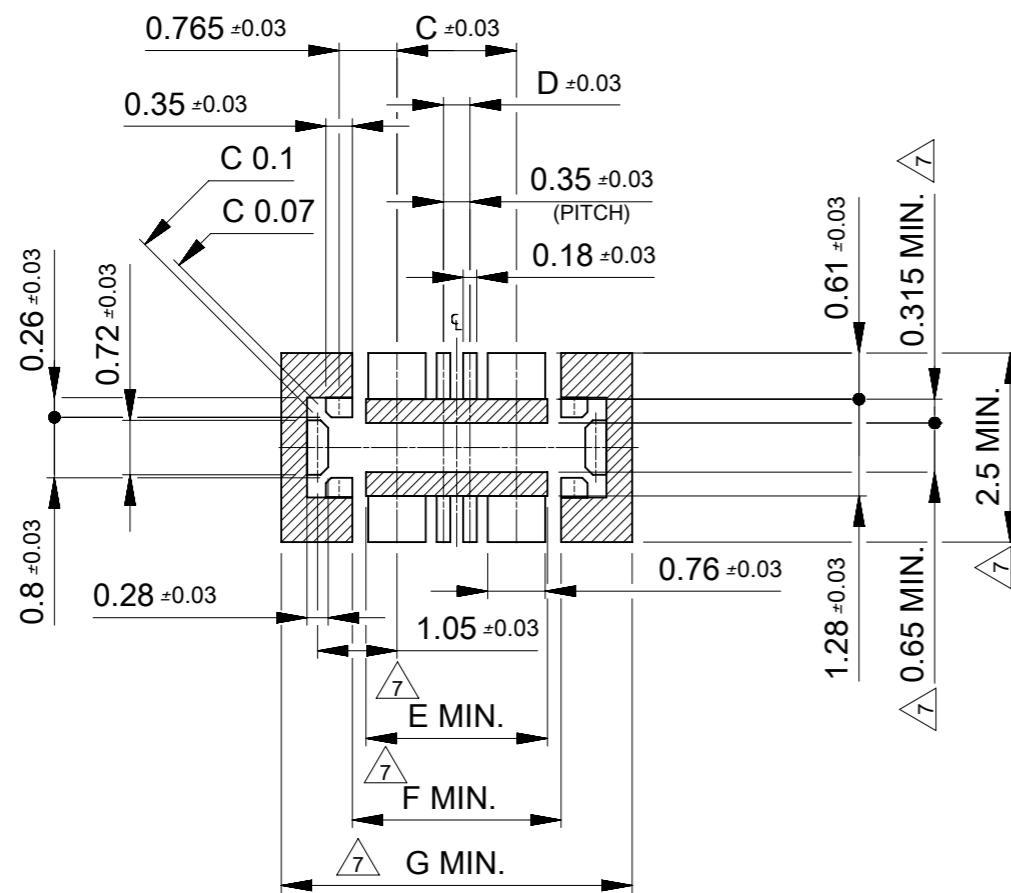


NOTE

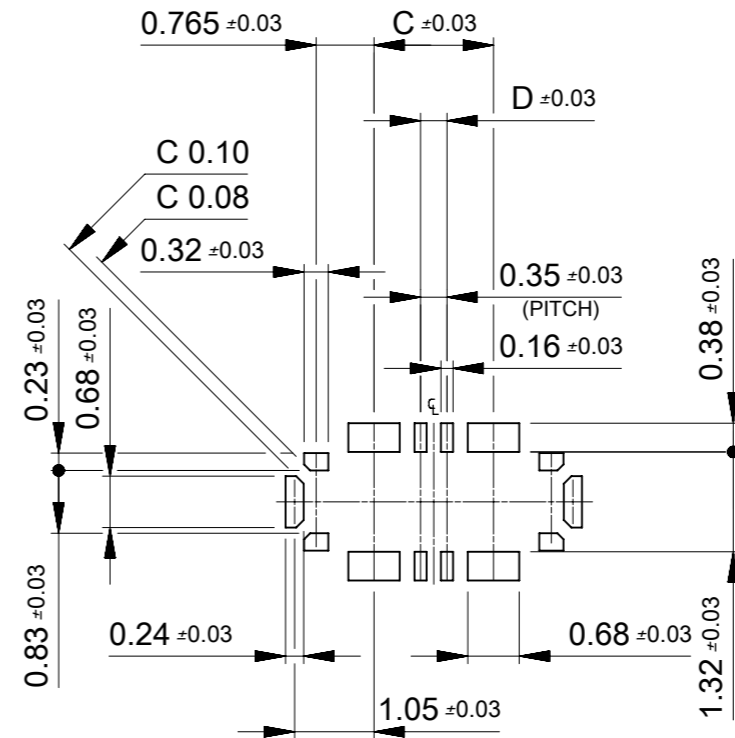
- 1 MATERIAL
HOUSING : LIQUID CRYSTAL POLYMER UL94V-0(COLOR : BLACK)
TERMINAL : COPPER ALLOY
FITTING NAIL : COPPER ALLOY
- 2 PLATING
TERMINAL :
CONTACT AREA : SEPARAED GOLD PLATING (0.1 MICROMETER MINIMUM)
SOLDER TAIL AREA : SEPARATED GOLD PLATING
UNDER PLATING : NICKEL OVERALL
*DIVIED INTO PARTS THE GOLD PLATING OF THE CONTACT AND THE TAIL PART BY THE NICKEL PLATING.
- FITTING NAIL :
CONTACT AREA : SEPARAED GOLD PLATING (0.1 MICROMETER MINIMUM)
SOLDER TAIL AREA : SEPARATED GOLD PLATING
UNDER PLATING : NICKEL OVERALL
*DIVIED INTO PARTS THE GOLD PLATING OF THE CONTACT AND THE TAIL PART BY THE NICKEL PLATING.
- 3 APPLY FOR (CIRCUIT/2)=EVEN
- 4 MATE WITH : 2111750**0
- 5 TAIL AND FITTING NAIL COPLANARITY TO BE 0.08MAXIMUM.
- 6 IF THE PORTION OF 0.26 DIMENSION IS SOLDERED, PERFORMANCE WILL BE OF NO PROBLEM FOR CUT-OFF PORTIONS NOT TO SOLDER.
- 7 PROHIBITED AREA OF PATTERN WIRING AND SOLDER.
(FOR EACH AREA, THE WIRING THAT TOUCHES ON THE SOLDER CAN BE ATTACHED, THEN COVERED WITH A FILM TO KEEP SOLDER OUT.)

| | | | | | | | | | | |
|-----------------------------------|------|-----|------|------|------|------|---------------------|--|---------------|---------|
| 4.64 | 2.76 | 2.4 | 0.35 | 1.58 | 3.11 | 3.68 | 2111760080 | ○ | --- | 4+4P |
| G | F | E | D | C | (B) | A | EMBOSS TAPE PACKAGE | HIGH VOL. TOOL | LOV VOL. TOOL | CIRCUIT |
| | | | | | | | ORDER No. | SAMPLE PREPARATION ○ : TOOLED △ : WORK IN PROCESS --- : TOOLING TO BE CONFIRMED | | |
| CONNECTOR SERIES No. : 2111761**0 | | | | | | | | | | |

| | | | | | | | | | | | |
|---|--|---------|--|---|--|---------------|--|------------|--|-----------------|--|
| THIS DRAWING CONTAINS INFORMATION THAT IS PROPRIETARY TO MOLEX ELECTRONIC TECHNOLOGIES, LLC AND SHOULD NOT BE USED WITHOUT WRITTEN PERMISSION | | | | | | | | | | | |
| DIMENSION UNITS | | SCALE | | CURRENT REV DESC: | | | | | | | |
| mm | | 10:1 | | <p style="text-align: center;">molex</p> <p style="text-align: center;">0.35 B-TO-B H=0.7 GCB7 PLUG ASSY</p> <p style="text-align: center;">PRODUCT CUSTOMER DRAWING</p> | | | | | | | |
| GENERAL TOLERANCES (UNLESS SPECIFIED) | | | | | | | | | | | |
| ANGULAR TOL | | ± 3.0 ° | | | | | | | | | |
| 4 PLACES | | ± 0.03 | | | | | | | | | |
| 3 PLACES | | ± 0.03 | | | | | | | | | |
| 2 PLACES | | ± 0.05 | | | | | | | | | |
| 1 PLACE | | ± 0.1 | | EC NO: 636047 | | | | 2020/04/06 | | | |
| 0 PLACES | | ± 0.2 | | DRWN: ZQWANG13 | | | | 2020/04/17 | | | |
| DRAFT WHERE APPLICABLE MUST REMAIN WITHIN DIMENSIONS | | | | THIRD ANGLE PROJECTION | | DRAWING | | SERIES | | MATERIAL NUMBER | |
| | | A3-SIZE | | 211176 | | 2111761000-SD | | GENERAL | | 1 OF 2 | |



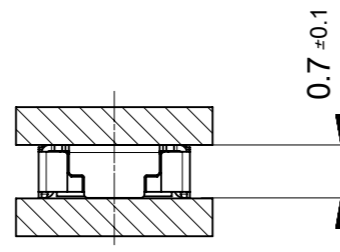
RECOMMENDED P.W. BOARD PATTERN LAYOUT



RECOMMENDED METAL MASK LAYOUT

RECOMMENDED THICKNESS : 0.08MM

RECOMMENDED APERTURE DIMENSION IS JUST SAME AS SHOWN FIGURE ABOVE.
FOR THIS DIMENSION, APERTURE RATIO ARE POWER, SIGNAL TERMINAL 55% AND FITTING NAIL 80%.



MATING CONDITION

This dimension shows a dimension between the tail to tail.

| | | | | | | | | | | |
|---|---------|-------------------------------|--|---------|--------|-----------------|----------------------------------|--------------|--|--|
| THIS DRAWING CONTAINS INFORMATION THAT IS PROPRIETARY TO MOLEX ELECTRONIC TECHNOLOGIES, LLC AND SHOULD NOT BE USED WITHOUT WRITTEN PERMISSION | | | | | | | | | | |
| DIMENSION UNITS | SCALE | CURRENT REV DESC: | | | | | molex | | | |
| mm | 1:1 | | | | | | | | | |
| GENERAL TOLERANCES (UNLESS SPECIFIED) | | EC NO: 636047 | | | | | 0.35 B-TO-B H=0.7 GCB7 PLUG ASSY | | | |
| ANGULAR TOL | ± 3.0 ° | DRWN: ZQWANG13 2020/04/06 | | | | | PRODUCT CUSTOMER DRAWING | | | |
| 4 PLACES | ± 0.03 | CHK'D: MSASAO 2020/04/17 | | | | | DOCUMENT NUMBER | | | |
| 3 PLACES | ± 0.03 | APPR: RTAKEUCHI 2020/04/17 | | | | | 2111761000-SD | | | |
| 2 PLACES | ± 0.05 | INITIAL REVISION: | | | | | DOC TYPE | | | |
| 1 PLACE | ± 0.1 | DRWN: TTANIGUCHI01 2019/01/09 | | | | | PSD | | | |
| 0 PLACES | ± 0.2 | APPR: RTAKEUCHI 2020/03/26 | | | | | DOC PART | | | |
| DRAFT WHERE APPLICABLE MUST REMAIN WITHIN DIMENSIONS | | THIRD ANGLE PROJECTION | | DRAWING | SERIES | MATERIAL NUMBER | CUSTOMER | REVISION | | |
| | | | | A3-SIZE | 211176 | | GENERAL | B | | |
| | | | | | | | | SHEET NUMBER | | |
| | | | | | | | | 2 OF 2 | | |