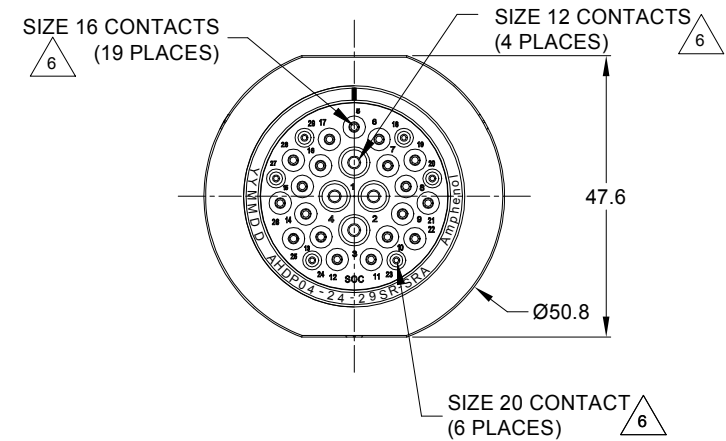
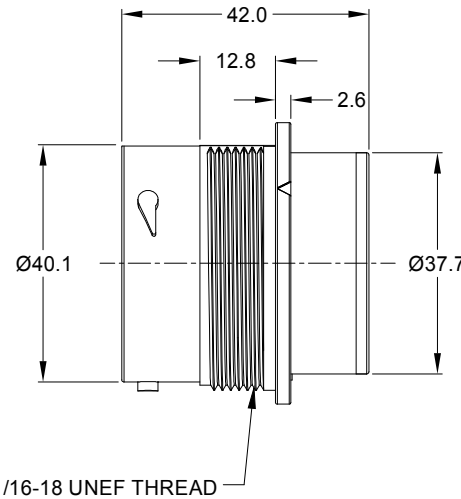
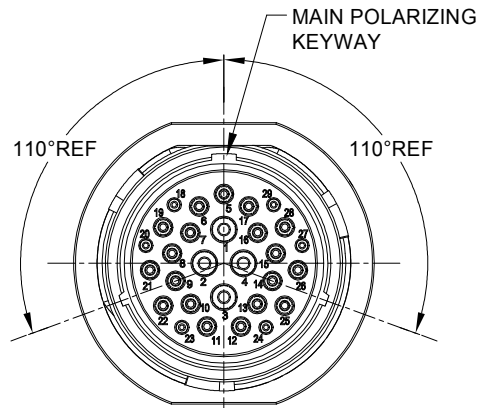


| REVISIONS | | | | | |
|-----------|-----|---------------------|---------|--------|-------|
| REV | ECO | DESCRIPTION | DATE | BY | APPR |
| A1 | - | RELEASE NEW DRAWING | 12MAY20 | SULLEN | TOMMY |
| A2 | - | MODIFY PRODUCT NAME | 11AUG20 | IAN | TOMMY |

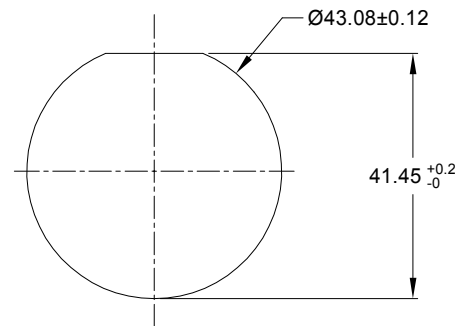


NOTES: UNLESS OTHERWISE SPECIFIED

- MATERIAL:
HOUSING: THERMOPLASTIC; BLACK
SEAL: SILICONE RUBBER
- MODIFICATIONS: SMOOTH RING ADAPTOR (SRA);
REDUCED DIA. WIRE SEAL
- SPECIFICATIONS:
3.1 OPERATING TEMPERATURE: -55°C TO +125°C.
3.2 DIELECTRIC WITHSTANDING VOLTAGE: LESS THAN 2 MILLIAMPS CURRENT LEAKAGE @ 1500 VOLTS AC.
3.3 INSULATION RESISTANCE: 1000 MEGOHM MIN @ 25°C.
3.4 MOISTURE RESISTANCE: IP67&IP69K (MATED CONDITION).
3.5 MATING CYCLE DURABILITY: 100 CYCLES
3.6 RoHS COMPLIANT
- MATING PART: AHDP06-24-29P* (* = SEAL TYPE)
- ALL DIMENSIONS ARE FOR REFERENCE USE ONLY.

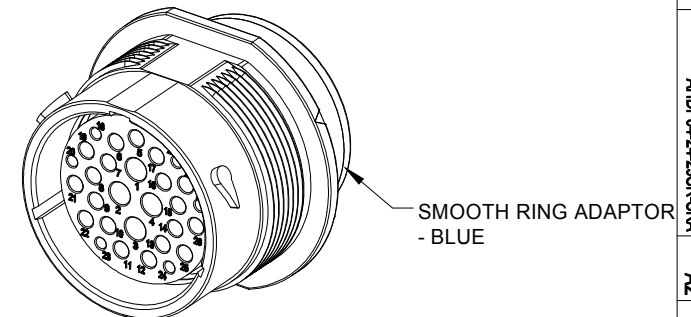
6 CONTACT SIZE AND WIRE RANGE:

| CONTACT SIZE | MIN. INSUL O.D. | MAX. INSUL O.D. | TYPICAL WIRE RANGE | CURRENT RATING |
|--------------|-------------------|-------------------|-------------------------------------|----------------|
| 20 | 1.02 mm (.040 in) | 2.10 mm (.083 in) | 16-22 AWG (1.5-0.5mm ²) | 7.5 AMPS |
| 16 | 1.35 mm (.053in) | 2.62 mm (.103 in) | 14-20 AWG (2.0-0.5mm ²) | 13 AMPS |
| 12 | 2.46 mm (.097 in) | 4.01 mm (.158 in) | 10-14 AWG (6.0-2.0mm ²) | 25 AMPS |



RECOMMENDED PANEL MOUNTING HOLE

RECOMMENDED PANEL THICKNESS: 1.6 TO 4.7MM



| | | | |
|--------------------------------------|----------------|--|--|
| AHPD04-24-29SR-SRA | | REF: HDP24-24-29SE | |
| PART NUMBER | | DESCRIPTION | |
| QUANTITY | MATERIALS LIST | | |
| UNLESS OTHERWISE SPECIFIED | | SIGNATURES | |
| 1) All dimensions are in metric(mm). | | DRAWN: WUXIAO 11AUG20 | |
| 2) Tolerances are as follows: | | CHECKED: ORION 12AUG20 | |
| 1 PL DEC ±0.30 | | ENGINEER: | |
| 2 PL DEC ±0.15 | | APPROVAL: TOMMY 13AUG20 | |
| 3 PL DEC ±0.08 | | CUSTOMER: | |
| 3) Note reference = | | MATERIAL SPECIFICATIONS: | |
| PROCESS SPECIFICATIONS: | | THIS DRAWING IS SUPPLIED FOR INFORMATION ONLY. DESIGN FEATURES, SPECIFICATIONS AND PERFORMANCE DATA SHOWN HEREON ARE THE PROPERTY OF THE AMPHENOL CORPORATION. NO RIGHTS OF REPRODUCTION ARE IMPLIED. ALL DIMENSIONS ARE SUBJECT TO NORMAL MANUFACTURING VARIATIONS. | |
| NEXT ASSY: | | SCALE: NONE | |
| | | DURAMATE | |
| | | SHEET 1 OF 1 | |

Amphenol

Sine Systems - www.amphenol-sine.com
44724 Morley Drive
Clinton Township, MI 48036

RECEP., SIZE 24, 29-SOCKET,
REDUCED DIA. SEAL, SRA, DURAMATE AHPD SERIES

SIZE TYPE DWG NO. REVISION
B C- AHPD04-24-29SR-SRA **A2**

TITLE: RECEPTACLE/REDUCED DIA. SEAL, DURAMATE AHPD SERIES
DWG NO.: AHPD04-24-29SR-SRA
REV: A2
SH: 1
OF: 1

7. RECEPTACLE IS SUPPLIED WITH DUST CAP.