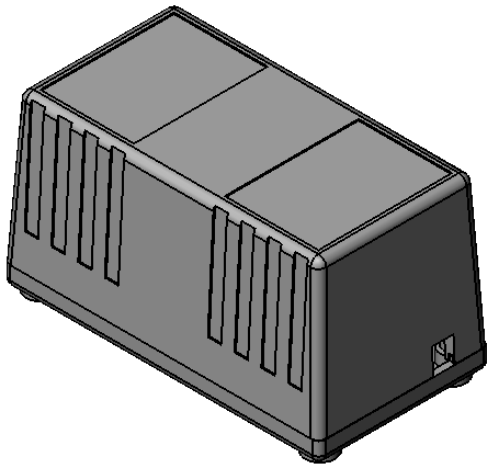
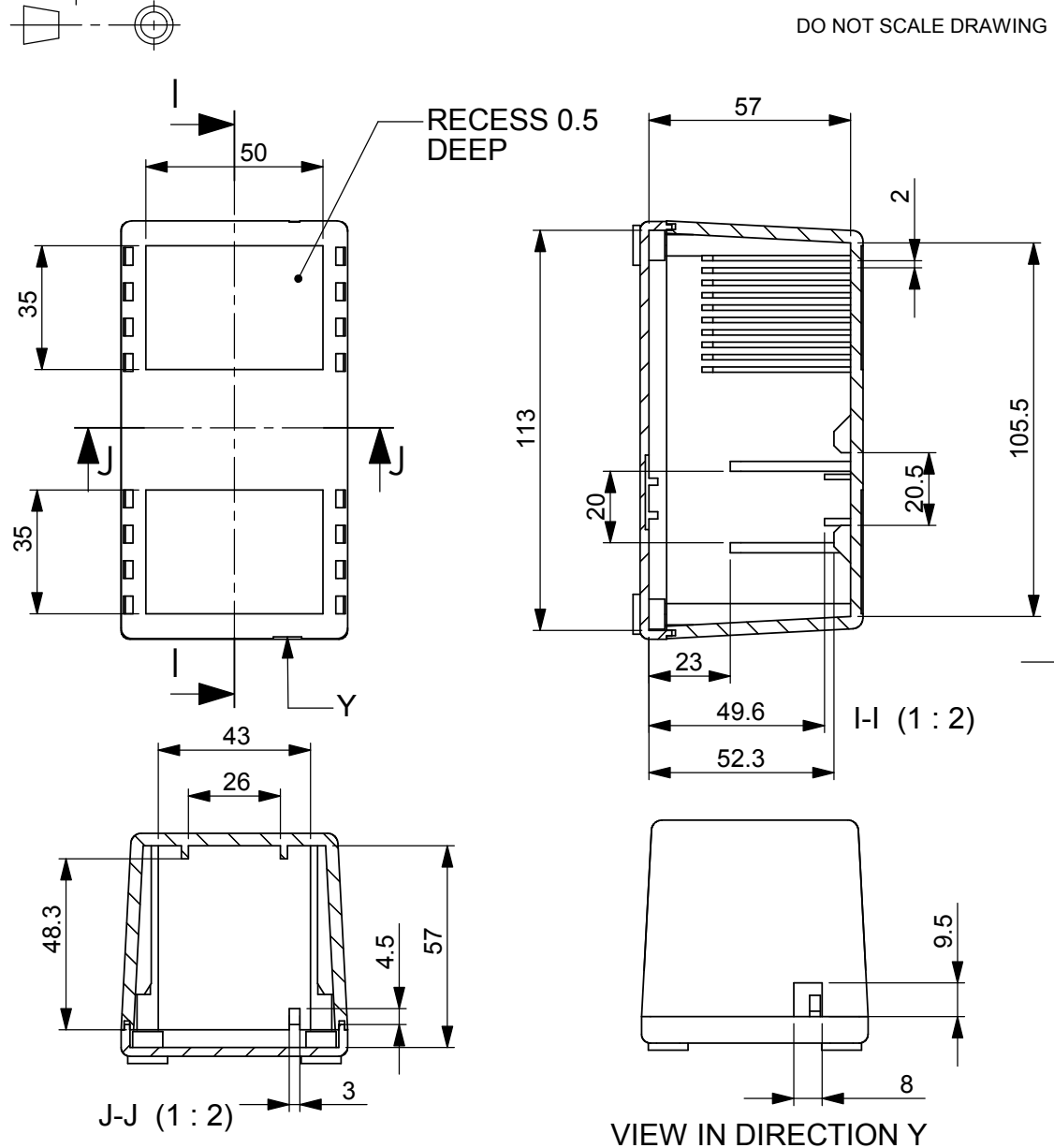
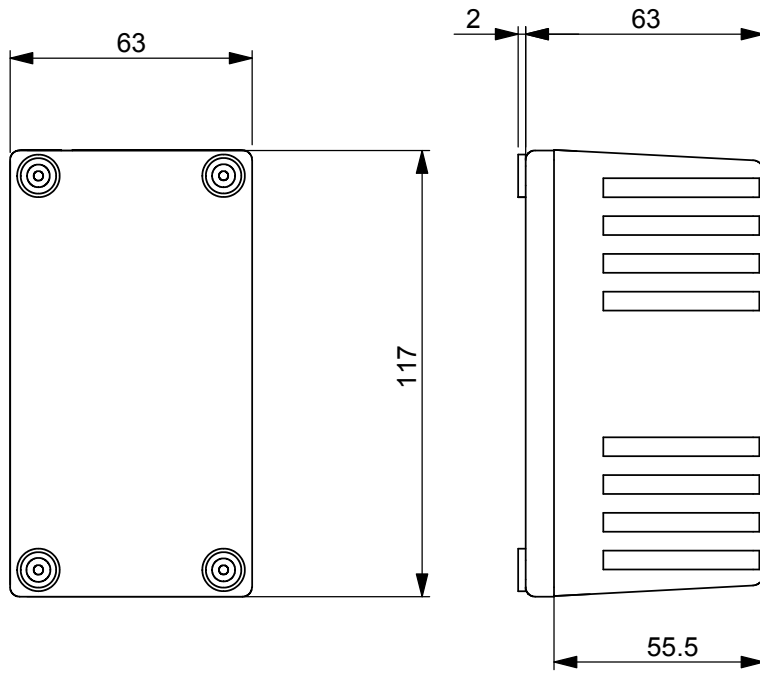


UNLESS OTHERWISE SPECIFIED:  
DIMENSIONS ARE IN MILLIMETERS

DO NOT SCALE DRAWING



VIEW IN DIRECTION Y

ISSUE	CHK'D	DRAWN	DATE	DEBUR AND BREAK SHARP EDGES	GENERAL TOLERANCES UP TO 200 ±0.2	BCL DISTRIBUTION 5th AVENUE, HOOKSTONE ROAD HARROGATE, NORTH YORKSHIRE	
1	PT	KA.	30/07/04			TITLE: POWER SUPPLY CASE	A4
				FINISH:		DWG NO. PS2	
				MATERIAL: ABS GENERAL PURPOSE GRADE 103		SCALE	SHEET 1 OF 1