

REVISIONS				
ZONE	REV.	DESCRIPTION	DATE	APPROVED
	A	RELEASE	JRM 2/17/21	

**ALL DIMENSIONS ARE FOR REFERENCE ONLY**  
 DIMENSIONS ARE IN INCHES [MILLIMETERS]  
 UNLESS OTEHRWISE NOTED

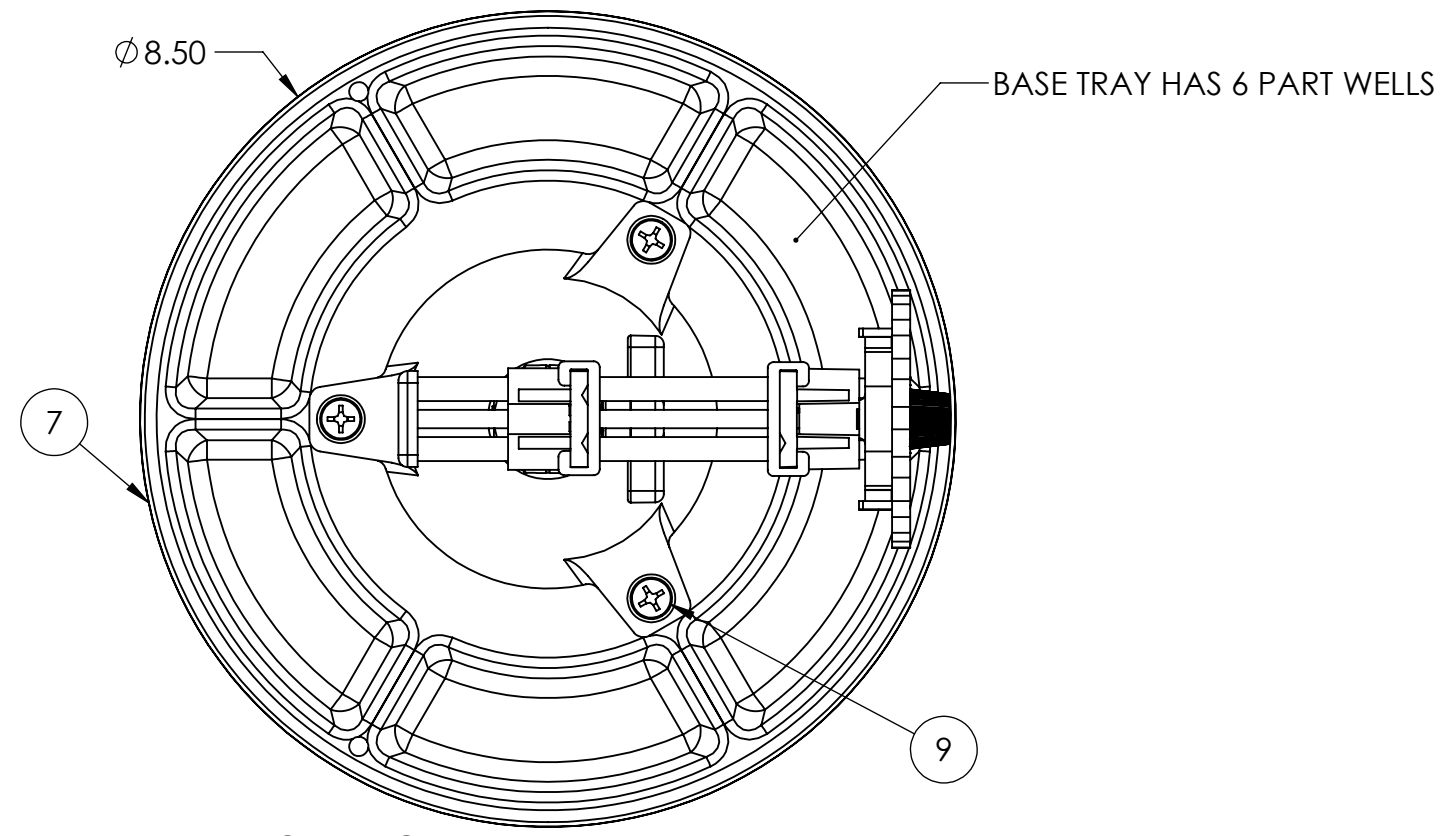
**SPECIFICATIONS**

- OVERALL HEIGHT..... 7.41 [188.14]
- ROTATION..... 360 DEGREES
- TURN..... 360 DEGREES
- TILT..... 210 DEGREES
- SHIPPING WEIGHT..... 2.75 LBS
- WISE OPENING..... 2 7/8 [73.02] MAXIMUM
- JAW WIDTH..... 1 [25.40]
- JAW HEIGHT..... 2 [50.80]

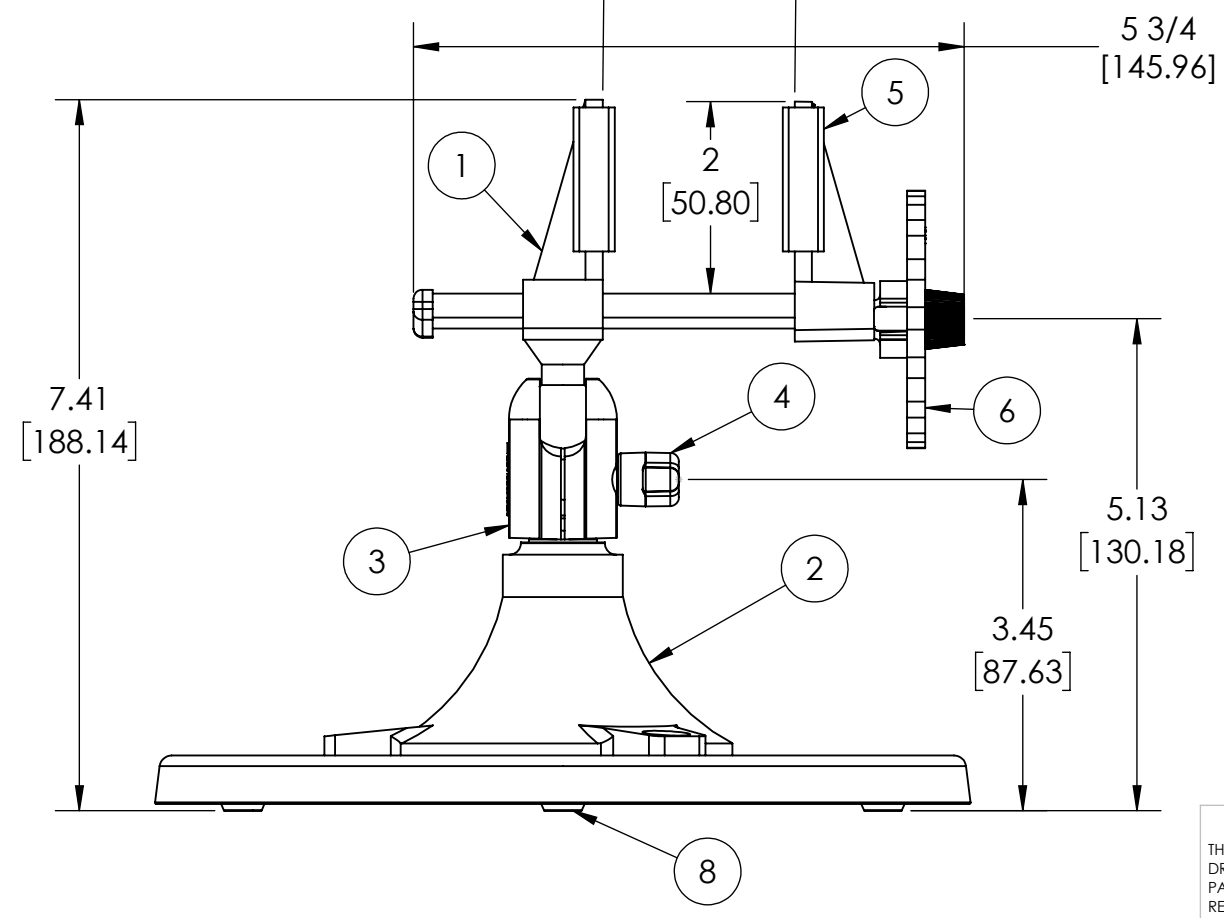
**MATERIAL:**

- 1. VISE HEAD ASSY\*..... BLACK GLASS REINFORCED THERMAL COMPOSITE ALLOY
- 2. BASE..... #3 ZINC DIE CAST SILVER PAINT
- 3. BALL JOINT CLAMPS..... #3 ZINC DIE CAST SILVER PAINT THERMAL COMPOSITE ALLOY
- 4. KNOB..... BLACK GLASS REINFORCED THERMAL COMPOSITE ALLOY
- 5. JAW PADS..... BLACK NEOPRENE
- 6. SPEED HANDLE..... BLACK GLASS REINFORCED THERMAL COMPOSITE ALLOY
- 7. BASE TRAY..... #3 ZINC DIE CAST SILVER PAINT
- 8. BUMPON..... BLACK RUBBER
- 9. SCREW..... 1/4-20 X 1/2 PHILLIPS HEAD, STEEL

\*VISE HEAD ASSEMBLY INCLUDES KNOB, END CAP AND BOTH JAWS.



MAXIMUM JAW OPENING  
 2 7/8 [73.02] W/O JAW PADS  
 2 5/8 [66.68] W/JAW PADS



**PROPRIETARY AND CONFIDENTIAL**  
 THE INFORMATION CONTAINED IN THIS DRAWING IS THE SOLE PROPERTY OF PANAVISE PRODUCTS INC. ANY REPRODUCTION IN PART OR AS A WHOLE WITHOUT THE WRITTEN PERMISSION OF PANAVISE PRODUCTS INC IS PROHIBITED.

UNLESS OTHERWISE SPECIFIED:		NAME	DATE	<p>7540 Colbert Drive, Reno, Nevada 89511-1225                  Phone (775) 850-2900 Fax (775) 850-2929</p> <p>TITLE: <b>PV JR DELUXE WORK CENTER SPEC SHEET</b></p>
DIMENSIONS ARE IN INCHES		DRAWN		
TOLERANCES:		CHECKED		
FRACTIONAL ± 1/64		ENG APPR.		
ANGULAR:		MFG APPR.		
MACH ± 1/2° BEND ±		Q.A.		
TWO PLACE DECIMAL: ±.01		COMMENTS:		
THREE PLACE DECIMAL: ±.005				
INTERPRET GEOMETRIC TOLERANCING PER: ASME 14.5M -2009				
MATERIAL				
NEXT ASSY	USED ON	FINISH		
APPLICATION		DO NOT SCALE DRAWING		

SIZE <b>B</b>	DWG. NO. 250-SP	REV <b>A</b>
SCALE: 1:2	WEIGHT:	SHEET 1 OF 1