

NOTES:

- MATERIALS AND FINISHES:
 - SHELL - ZINC ALLOY, NICKEL PLATING (.000100" MIN. THINCK)
 - FERRULE - BRASS, NICKEL PLATING (.000100" MIN. THINCK)
 - WASHER - BRASS, NICKEL PLATING (.000100" MIN. THINCK)
 - SPRING - BeCu, NICKEL PLATING (.000100" MIN. THINCK)
 - CONTACT - BRASS, GOLD PLATING (.000003" MIN. THINCK)
 - BODY & RETAINING RING - BRASS, NICKEL PLATING (.000100" MIN. THINCK)
 - INSULATOR & SLEEVE - DELRIN, NATURAL
 - GASKET - SILICONE RUBBER, RED

- ELECTRICAL:
 - A. IMPEDANCE: 50 OHM
 - B. FREQUENCY RANGE: DC - 4 GHz
 - C. DIELECTRIC WITHSTANDING VOLTAGE: 1200 VRMS, MIN.

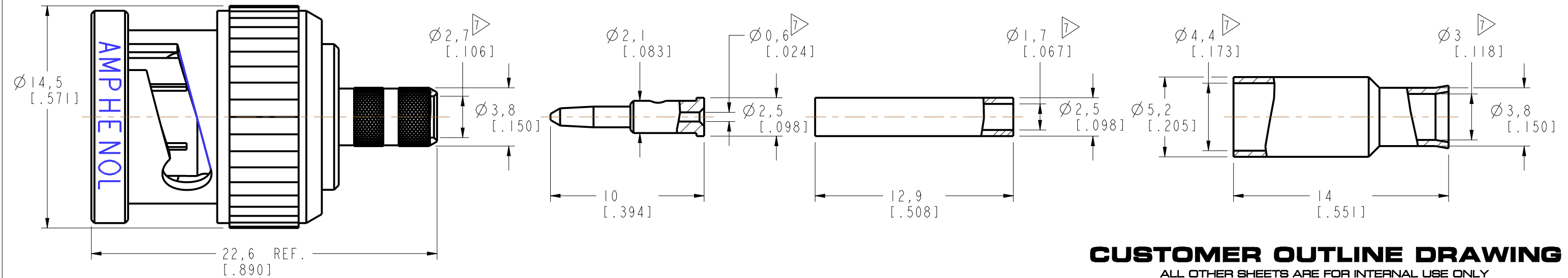
- MECHANICAL:
 - A. DURABILITY: 500 CYCLES MIN.
 - B. TEMPERATURE RANGE: -40° C TO +85° C

4. CRIMPED FERRULE HEX CRIMP SIZE .178"

- CENTER CONTACT ASSEMBLY:
 - OPTION A: CRIMP CENTER CONTACT WITH OPEN FRAME HEX CRIMP TOOL M22520/5-01 (HX4) USING .068" HEX CRIMP DIE SET.
 - OPTION B: CRIMP CENTER CONTACT USING ADJUSTABLE QUICK CRIMP TOOL FOR BNC, CTL-6. TOOL RACHET ADJUST WHEEL NEEDS TO BE SET TO PROPER CHANNEL IN ORDER TO MEET PROPER CABLE RETENTION FORCE.
 - OPTION C: SOLDER THE CENTER CONTACT TO CABLE CENTER CONDUCTOR.

- PACKAGING:
 - A. QUANTITY: SINGLE PACK
 - B. MARKING: BAG TO BE MARKED "AMPHENOL RF, 31-315-RFX, DATE CODE"

7. SHOWS CABLE ENTRY DIMENSIONS.

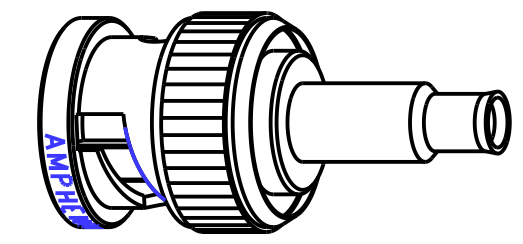
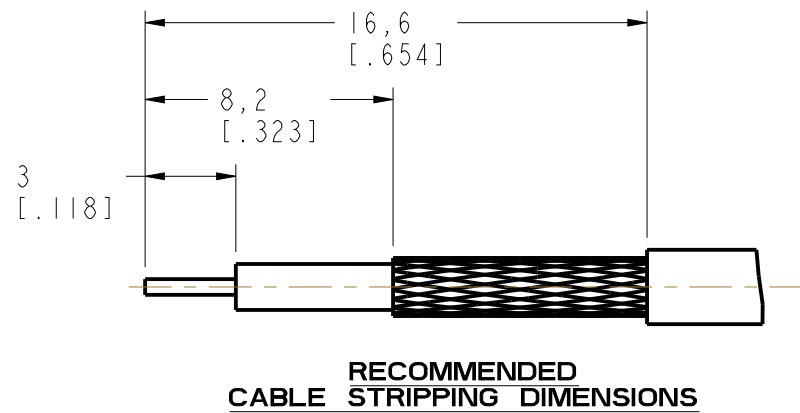


CUSTOMER OUTLINE DRAWING
ALL OTHER SHEETS ARE FOR INTERNAL USE ONLY

THIRD ANGLE PROJ.

REVISIONS

REV	DESCRIPTION	DATE	ECO	APPR
A	RELEASE TO MFG.	--	39618	CPM
D	UPDATED TO KAI JACK DWG	30-Jan-02	43956	CPM
E	SYNC, CHANGE SPRING MATERIAL; ADDED NOTE 5 & REMOVE THE ARFA CROSS	26-Dec-16	02725	MZ



SCALE 2.000

UNLESS OTHERWISE SPECIFIED, DIMENSIONS ARE IN METRIC AND TOLERANCES ARE: <0.5mm ±0.05mm 0.5 - 6mm ±0.1mm 6 - 30mm ±0.2mm 30 - 120mm ±0.3mm ANGLES ±1°	MATERIAL	DRAWN	DATE	TITLE	Amphenol RF www.amphenolrf.com
	-	M.ZHANG	26-Dec-16		
NOTICE - These drawings, specifications, or other data (1) are, and remain the property of Amphenol corp. (2) must be returned upon request; and (3) are confidential and not to be disclosed to any person other than those to whom they are given by Amphenol Corp. the furnishing of these drawings, specifications, or other data by Amphenol Corp., or to any other person to anyone for any purpose is not to be regarded by implication or otherwise in any manner licensing, granting rights to permitting such holder or any other person to manufacture, use or sell any product, process or design, patented or otherwise, that may in any way be related to or disclosed by said drawings, specifications, or other data.	REFERENCE AND CONFIGURATION LEVEL: In Work	ENGINEER	DATE	SCALE: 4.0:1.0	SHEET 2 OF 2
	FINISH	S.HSIEH	26-Dec-16	DWG SIZE B	REV E