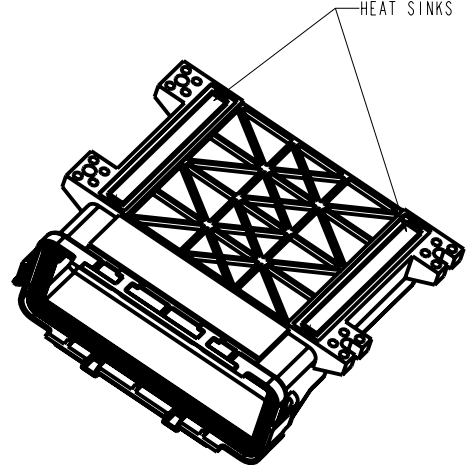
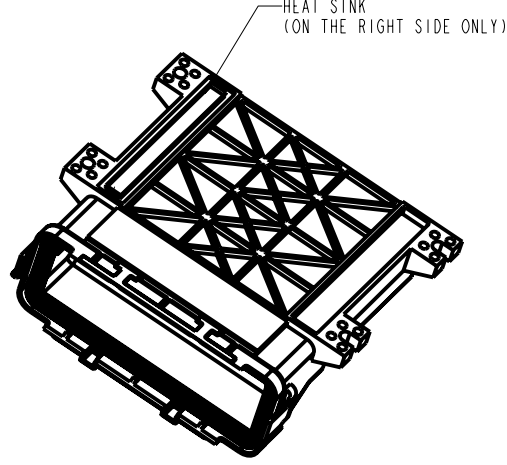
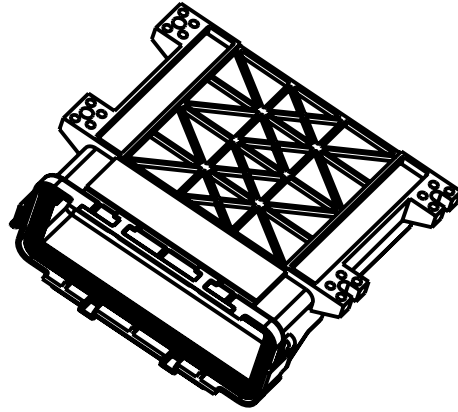


CINCH PART NUMBER MATRIX


DRAWING REVISIONS			
REV	DOCUMENT	APP	DATE
A	REL. FOR PRODUCTION D.O. 05-1157	A.C.	7/21/05
B	ECN: 05A467 SHROUD MODIFIED	A.C.	9/27/05
C	ECN: 06A148 MOD. NOTE 4, A8 MOD. HOLE CALLOUT, A5 ADDED TORQUE PATTERN NOTE ADDED TORQUE SPEC. NOTE B1; RE-DIMENSIONED PART TO 5.295, WAS 5.26		

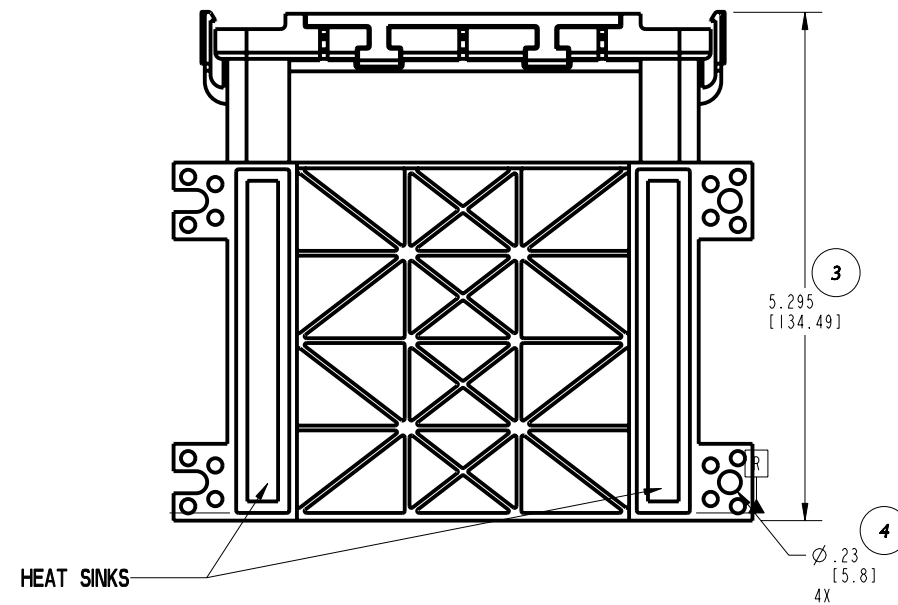
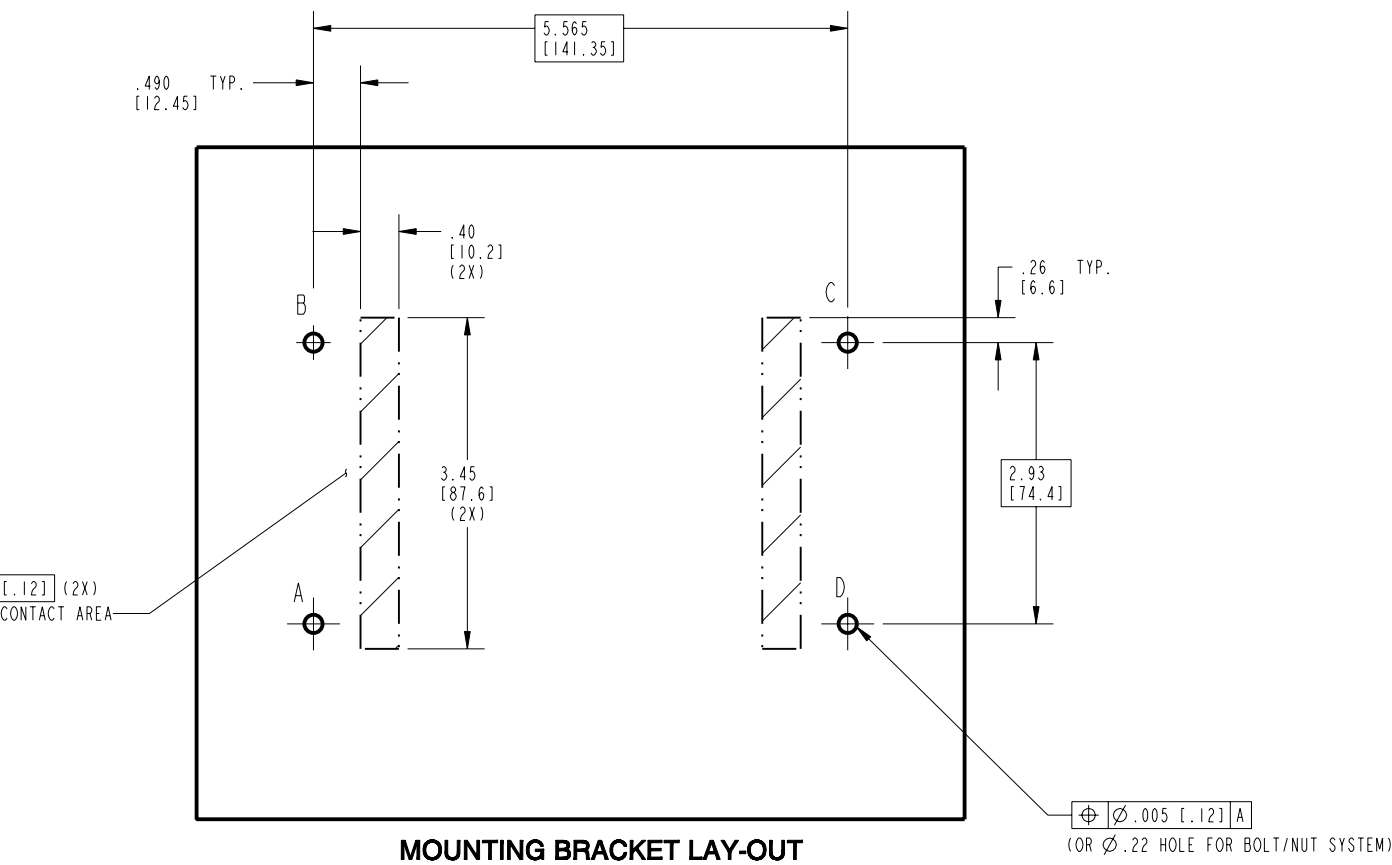
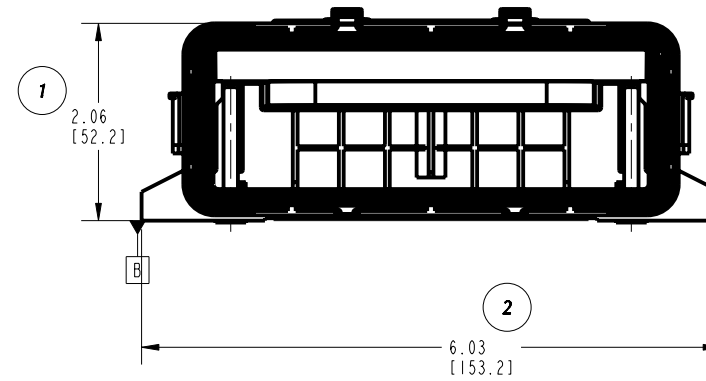
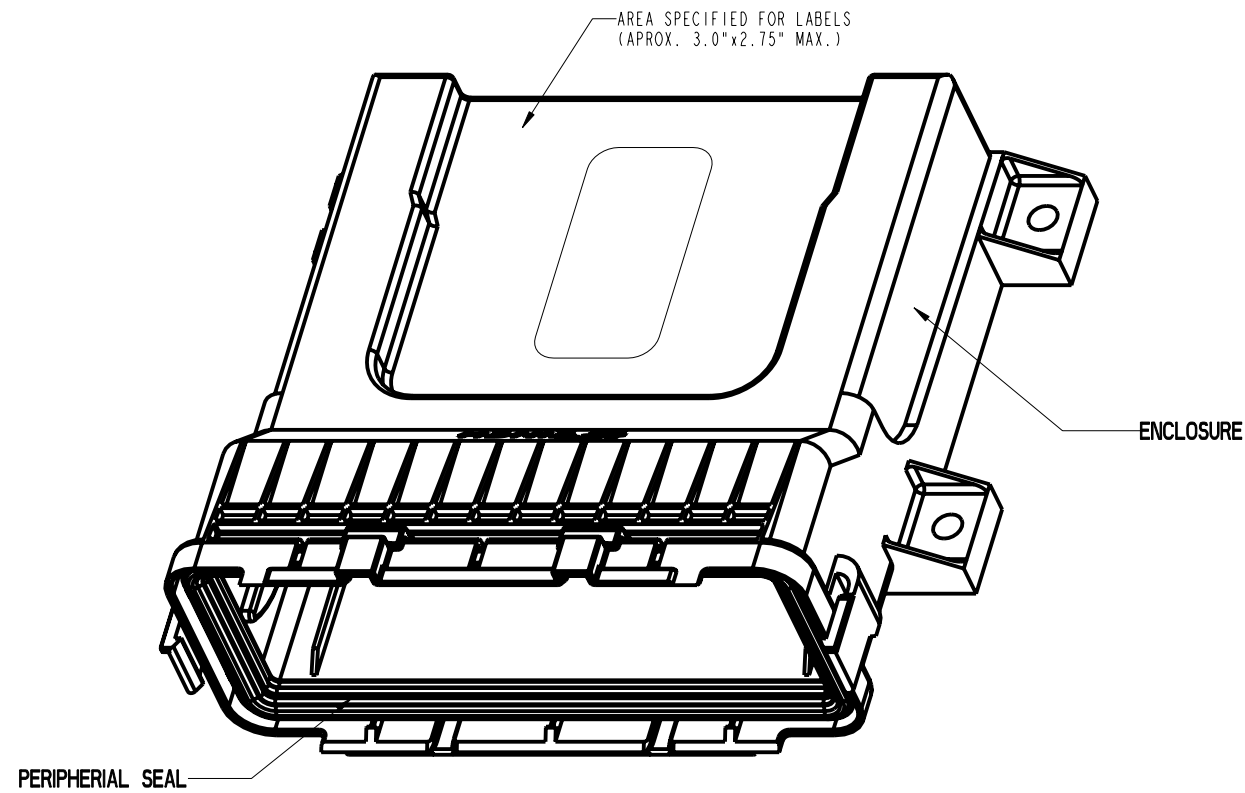
P/N: 581 01 30 041	P/N: 581 01 30 042	P/N: 581 01 30 043
ENCLOSURE WITH TWO HEAT SINKS	ENCLOSURE WITH ONE HEAT SINK	ENCLOSURE WITHOUT HEAT SINKS
		

NOTE:

- ALL DIMENSIONS ARE IN INCHES; DIMENSIONS IN [.XX] ARE IN MM AS REF. ONLY.
- MATERIALS:
ENCLOSURE: 30 % GLASS FILLED POLYMER, COLOR BLACK;
PERIPHERAL SEAL: SILICONE RUBBER, COLOR BLUE.
HEAT SINK: ANODIZED ALUMINUM ALLOY.
- HEADERS ARE SOLD SEPARATELY (CONSULT FACTORY FOR P/N);
FOR PCB SIZE AND REQUIREMENTS REFER TO HEADER DRAWINGS.
- STANDARD PACKAGE SIZE: 21 PARTS / CARTON BOX.

RoHS COMPLIANT

UNITS	ENGLISH		PRO/E	Cinch	MODELED BY: B.K.
DO NOT SCALE DRAWING	DRAWN BY B. KOSTIC	DATE 09/14/04	TITLE ENCLOSURE ASSEMBLY MODICE SE	1700 FINLEY RD LOMBARD, IL. 60148	
UNLESS OTHERWISE SPECIFIED: ALL DIMENSIONS ARE IN INCHES	DESIGN ENGINEER B. KOSTIC	09/14/04	MATERIAL SEE NOTE 2.	CONTROL SPEC NUMBER	
FILLET/RADII .02 MAX	DESIGN ENGINEERING MGR. A. CAINES	10/15/04	MATERIAL SPEC NUMBER	FINISH	PROJECT NUMBER A 14562
TOLERANCES AND LIMITS APPLY OVER ADDITIVE FINISH	MFG. ENGINEERING R. GARZA	10/28/04	CAD FILE NUMBER 5810130041S_ICE30	DRAWING NUMBER 581 01 30 041S	
	QUALITY ASSURANCE R. QUIROZ	10/28/04	CAGE IDENT NO. SIZE 71785 B	SCALE 1:2	SHEET 1 OF 2



CINCH P/N: 581 01 30 041 SHOWN

MOUNTING BRACKET LAY-OUT

⌀.005 [.12] A
(OR ⌀.22 HOLE FOR BOLT/NUT SYSTEM)

TORQUE PATTERN; A, B, C, D
TORQUE TO; 10-15 IN. LB. [1.13-1.70 Nm]

UNITS ENGLISH	Cinch		1700 FINLEY RD LOMBARD, IL. 60148
DO NOT SCALE DRAWING	TITLE ENCLOSURE ASSEMBLY MODICE SE		
UNLESS OTHERWISE SPECIFIED: ALL DIMENSIONS ARE IN INCHES	PRO/E DRAWING		
FILLET/RADII .02 MAX	TOLERANCES X ± .1 .XX ± .01 .XXX ± .005 ANGULAR ± .5°	CAD FILE NUMBER 5810130041S_ICE30	DRAWING NUMBER 581 01 30 041 S
TOLERANCES AND LIMITS APPLY OVER ADDITIVE FINISH	THIS DOCUMENT IS THE PROPERTY OF CINCH. NEITHER THIS DOCUMENT NOR ANY OF THE INFORMATION CONTAINED IN IT MAY BE DUPLICATED OR DISCLOSED WITHOUT PRIOR WRITTEN CONSENT OF CINCH.	CAGE IDENT NO. SIZE 71785 B	SCALE SHEET 2 OF 2 1:2
		REV C	