

PRODUCT NUMBER
10075024-X01-XXXLF

PLATING

S = 0.38µm GOLD/GXT ON CONTACT AREA
2µm MIN MATTE TIN ON TAIL
OVER 1.27µm MIN NICKEL

G = 0.76µm GOLD/GXT ON CONTACT AREA
2µm MIN MATTE TIN ON TAIL
OVER 1.27µm MIN NICKEL

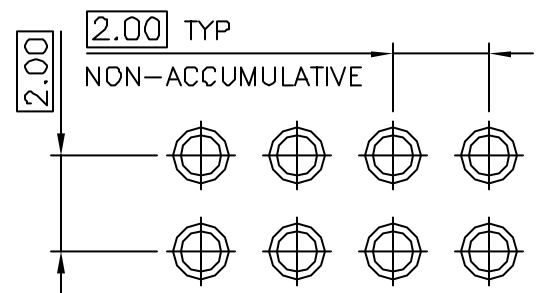
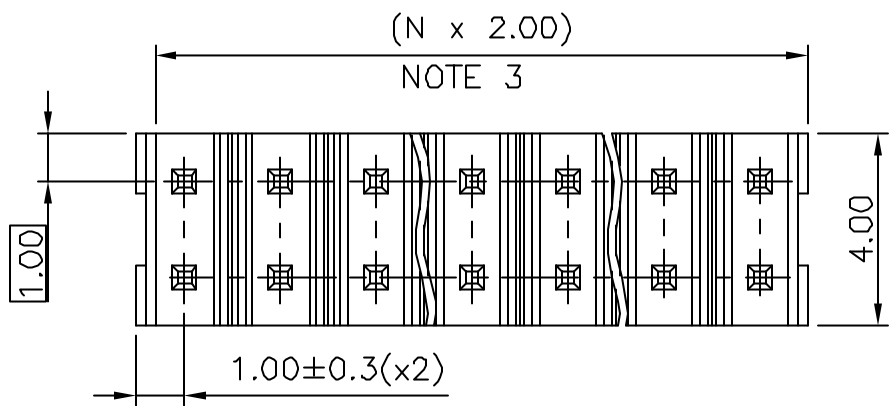
F = GOLD FLASH ON CONTACT AREA
2µm MIN MATTE TIN ON TAIL
OVER 1.27µm MIN NICKEL

LEAD FREE
RoHS COMPATIBLE
NOTE 6

PACKAGING
NOTE 5

POSITIONS PER ROW
02 TO 25

VIEW WITHOUT PICK UP CAP

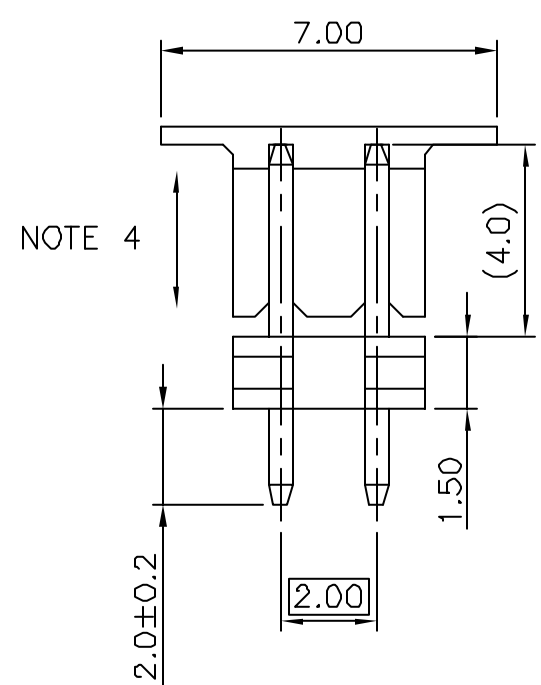
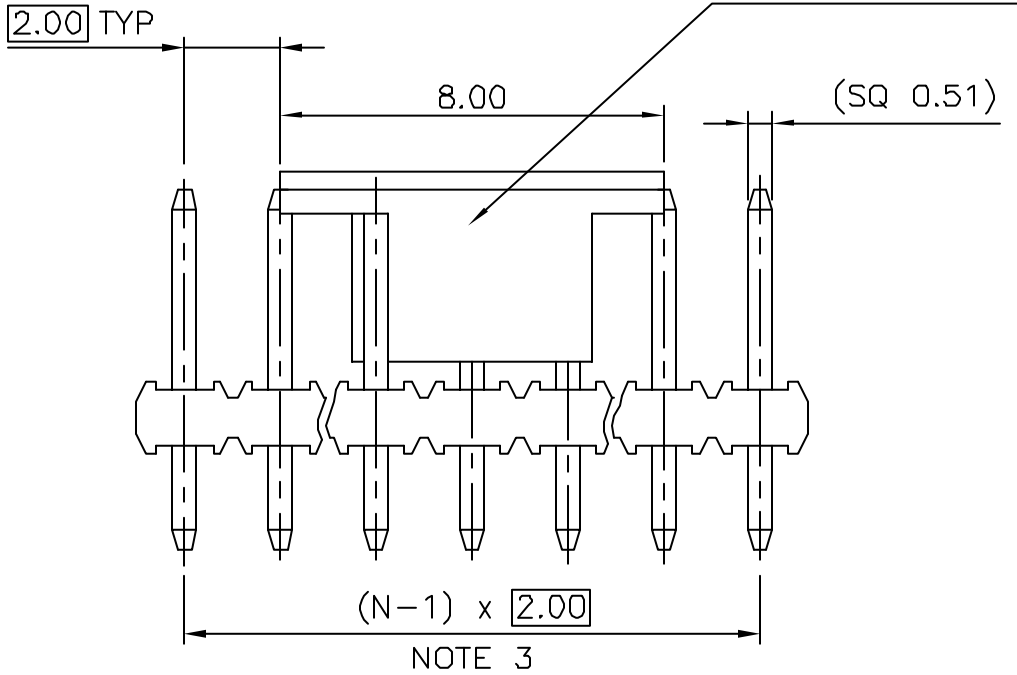


RECOMMENDED 1.6mm THICK PCB LAYOUT
STENCIL DESIGN RECOMMENDATIONS
AS PER TA-896

NOTES:

1. MATERIAL HOUSING: HIGH TEMP. THERMOPLASTIC
UL 94V-0, COLOR BLACK
2. MATERIAL TERMINAL: COPPER ALLOY
3. TO DETERMINE DIMENSIONS:
N = NUMBER OF POSITIONS PER ROW
4. 7N MIN. PIN RETENTION IN EITHER DIRECTION.
5. PACKAGING:
= PLASTIC BOX
U = TUBE AVAILABLE FROM 03 TO 25 POS PER ROW
6. RoHS COMPATIBLE PRODUCT SPECIFICATIONS
 - a - PLATING:
- "LF" MEANS THE PRODUCT IS LEAD-FREE,
2µm MINIMUM MATTE TIN OVER 1.27µm
MINIMUM NICKEL UNDERPLATE.
 - b - MANUFACTURING PROCESS COMPATIBILITY
- THE HOUSING WILL WITHSTAND EXPOSURE TO
260°C PEAK TEMPERATURE FOR 30 SECONDS MAX
IN A CONVECTION, INFRA-RED, OR VAPOR PHASE
OR REFLOW OVEN
 - c - LABELLING:
- MEETS PACKAGING SPECS AS PER GS-14-920
 - d - LEGAL STATEMENT: SEE GS-22-008

OPTIONAL PICK UP CAP



mat'l. code				surface ISO 1302	tolerance ISO 406 ISO 1101	projection	product family MINITEK
ltr	ecn no	dr	date	tolerances unless otherwise specified			title
A	F06-0326	LMU	07.01.04	angles	.X ±0.3	mm	UNSH HEADER 2.00 mm VERTICAL PIP
B	F08-0168	LMU	08.05.08	linear	.XX ±0.13		
C	F08-0145	ELA	08.05.19		.XXX ±0.05		
				dr	L.MULIN	07.01.04	dwg no
				enr	J.COMPAGNON	07.01.04	sheet 1 of 1
				chr			size
				appd	JM.C	07.01.04	A3
sheet index	revision sheet						type
							CUSTOMER Drawing

FCI CONFIDENTIAL



This document is the property of and embodies CONFIDENTIAL and PROPRIETARY information of FCI. No part of the information shown on this document may be used in any way or disclosed to others without the written consent of FCI. Copyright FCI