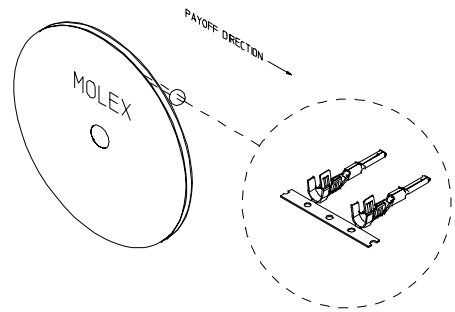
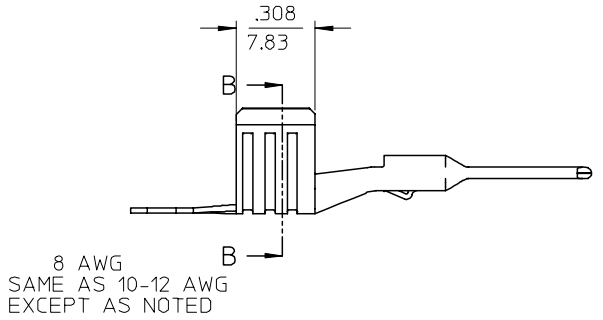
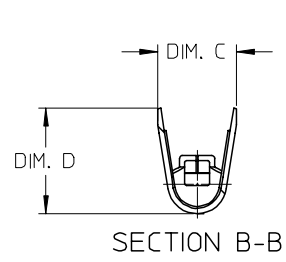
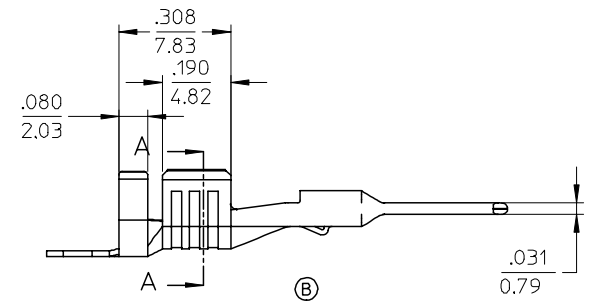
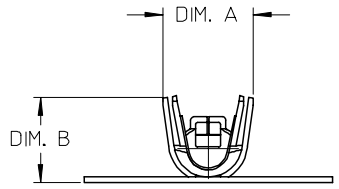
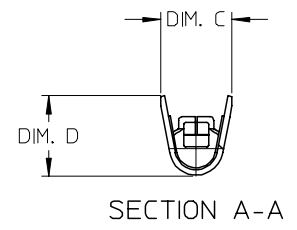
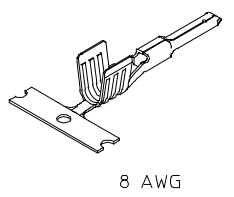
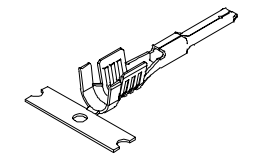
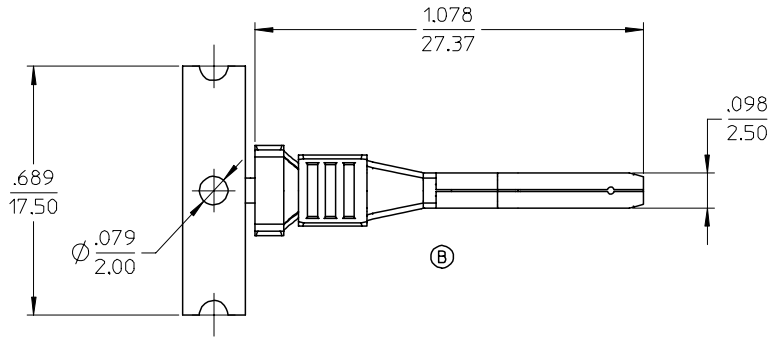


STRIP MATERIAL NUMBER	LOOSE PIECE MATERIAL NUMBER	AWG SIZE	DIM. "A"	DIM. "B"	DIM. "C"	DIM. "D"
194310001	194310016	10-12	.250/6.35	.236/6.00	.197/5.00	.226/5.74
194310015	194310017	8	N/A	N/A	.240/6.10	.276/7.00

ⓑ



- ⓑ
- NOTES:
1. MATERIAL: COPPER ALLOY.
 2. FINISH: PREPLATED AND REFLOWED OVERALL, 100μ TIN OVER 50μ NICKEL, MINIMUM.
 3. TERMINAL FOR USE WITH 19433-**** PLUG HOUSING ASSEMBLY.
 4. PRODUCT SPECIFICATION: PS-19431-001.
 5. PACKAGING SPECIFICATION: PK-19431-001.
 6. APPLICATION TOOLING AND CRIMP SPECIFICATIONS: CONSULT FACTORY.

EC NO: ETC2003-0338 DRWN: BRUPERT 2005/10/05 CHKD: JPAWLICK 2005/10/05 APPR: JPAWLICK 2005/10/05	DESCRIPTION	QUALITY SYMBOLS	GENERAL TOLERANCES (UNLESS SPECIFIED)	SCALE	DESIGN UNITS	THIRD ANGLE PROJECTION	REVISE ON CAD ONLY
		<p>▽=0</p> <p>∇=0</p>		4:1	INCH		
REV	REV	DRAFT WHERE APPLICABLE	MUST REMAIN WITHIN DIMENSIONS	DIMENSION STYLE		TITLE	
				IN/MM	MALE PIN TERMINAL MX150L 12-10 & 8 AWG, .098/2.50 X .031/0.79		
				DRAWN BY	DATE	MOLEX INCORPORATED	
				BRUPERT	01/25/05	SEE CHART	DOCUMENT NO. SD-19431-002
				CHECKED BY	DATE	SHEET NO.	1 OF 1
				JPAWLICK	01/25/05		
				APPROVED BY	DATE		
				RDEROSS	01/25/05		
THIS DRAWING CONTAINS INFORMATION THAT IS PROPRIETARY TO MOLEX INCORPORATED AND SHOULD NOT BE USED WITHOUT WRITTEN PERMISSION							