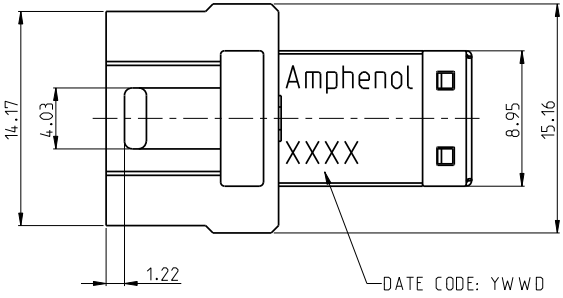
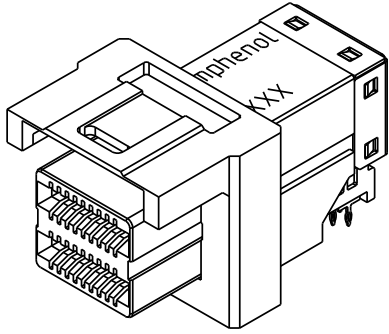


ORIGINAL

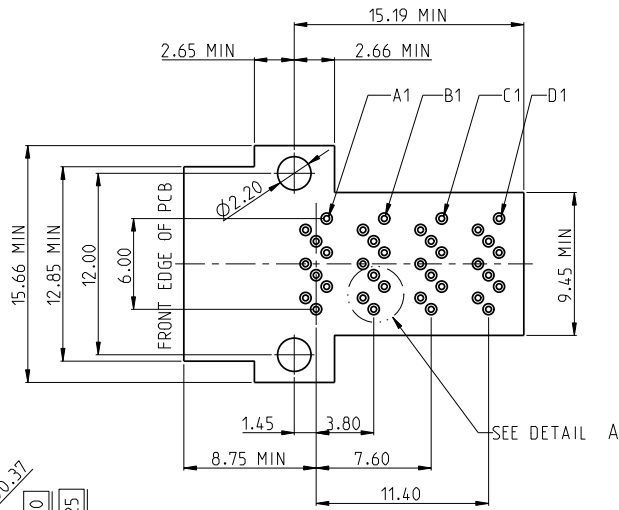
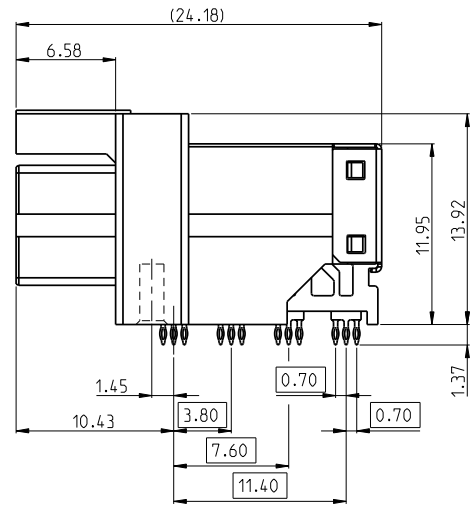
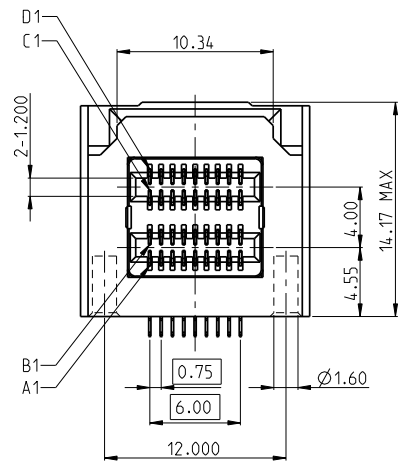
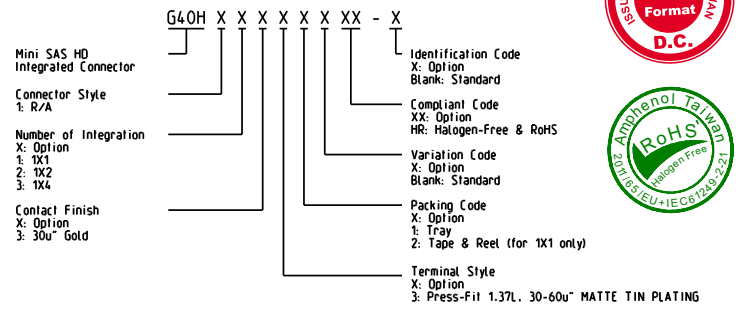
REVISIONS					
SYM	ECN No.	DESCRIPTION	DATE	BY	
A	NA	RELEASE	04/03/2013	HANK HSU	
B	NE-13092	DRAWING UPDATE	06/26/2013	HANK HSU	

This document is the property of Amphenol Corporation and is delivered on the express condition that is not to be disclosed, reproduced or used, in whole or in part, for manufacture or sale by anyone other than Amphenol Corporation without its prior consent, and that no right is granted to disclose or to use any information in this document.

The marking on this product doesn't contain environmental hazardous materials per Material Specification SS-00259 for Sony GP compliant or per directive 2011/65/EU for RoHS compliant or per IEC 61249-2-21 for Halogen-Free compliant.



PART NUMBER SYSTEM



RECOMMENDED PCB LAYOUT
ALL TOLERANCES ARE ±0.05

NOTES:

- INSULATOR: HIGH TEMPERATURE THERMOPLASTIC UL94V-0. COLOR: BLACK
- TERMINAL: COPPER ALLOY
CONTACT AREA: OPTION
TAIL AREA: 30-60u" MATTE TIN PLATING
UNDER PLATING: NICKEL 100u" MIN.
- BACK-SHELL: STAINLESS STEEL
- MOUNTING HARDWARE: M2X0.4 SELF THREADING SCREW
MOUNTING SCREW LENGTH: PCB THICKNESS + 2.5MM MAX.
- THIS PRODUCT DOESN'T CONTAIN ENVIRONMENTAL HAZARDOUS PER DIRECTIVE 2011/65/EU FOR ROHS COMPLIANT AND PER IEC 61249-2-21 FOR HALOGEN-FREE COMPLIANT.

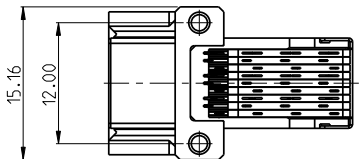
TOLERANCE	DRAWN	APPROVALS	DATE	TITLE		Amphenol®			
X.	DESIGNED	Hank Hsu	06/26/2013	MINI SAS HD INTEGRATED CONNECTOR		Amphenol Corporation			
X.X ±0.30	CHECKED	Sondra Sang	06/26/2013	0.75 PITCH, R/A, PRESS FIT TYPE		Amphenol Taiwan Corporation			
X.XX ±0.20	APPROVED	Hank Hsu	06/26/2013	UNIT mm SIZE A3		PART No.	G40H1XXXXHR		
X.XXX ±0.10	DWG TYPE	CUST DWG	PROJECT CODE 1514	SCALE NA SHEET 1 OF 2		DWG No.	G40H1XXXXHR		
ANGULAR ±2°	UNLESS OTHERWISE SPECIFIED			REV. B					

ORIGINAL

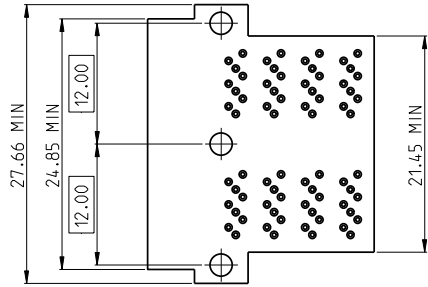
REVISIONS				
SYM	ECN No.	DESCRIPTION	DATE	BY
A	NA	RELEASE	04/03/2013	HANK HSU
B	NE-13092	DRAWING UPDATE	06/26/2013	HANK HSU

This document is the property of Amphenol Corporation and is delivered on the express condition that it is not to be disclosed, reproduced or used, in whole or in part, for manufacture or sale by anyone other than Amphenol Corporation without its prior consent, and that no right is granted to disclose or to use any information in this document.

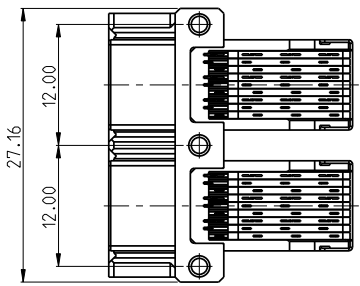
The marking on this product doesn't contain environmental hazardous materials per Material Specification SS-00259 for Sony GP compliant or per directive 2011/65/EU for RoHS compliant or per IEC 61249-2-21 for Halogen-Free compliant.



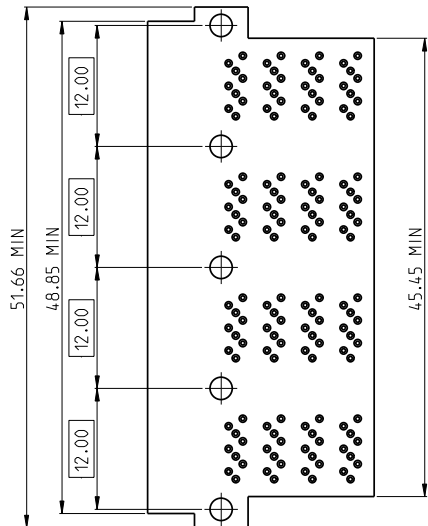
1x1 INTEGRATED CONNECTOR



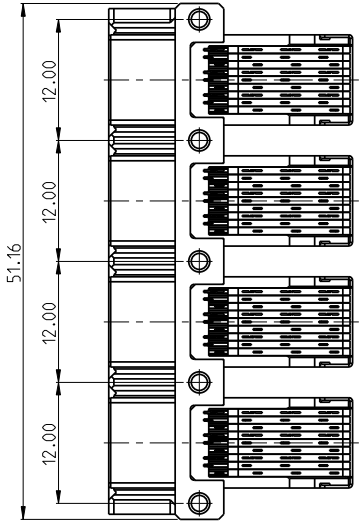
1x2 RIGHT ANGLE INTEGRATED HD CONNECTOR FOOTPRINT



1x2 INTEGRATED CONNECTOR



1x4 RIGHT ANGLE INTEGRATED HD CONNECTOR FOOTPRINT

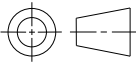


1x4 INTEGRATED CONNECTOR



NOTES:

1. RECOMMENDED DRILL SIZE FOR $\varnothing 0.37$ FINISHED PTH IS $\varnothing 0.457$ (#77 DRILL)
2. RECOMMENDED ANNULAR RING AROUND $\varnothing 0.37$ FINISHED PTH IS $\varnothing 0.73$
3. MINIMUM PCB THICKNESS: 1.57MM
4. PIN ASSIGNMENTS PLEASE REFER TO SERIAL ATTACHED SCSI-3 (SAS-3) STANDARD.

TOLERANCE	DRAWN	APPROVALS	DATE	TITLE	Amphenol® Amphenol Corporation Amphenol Taiwan Corporation					
X. X.X ±0.30 X.XX ±0.20 X.XXX ±0.10	DESIGNED	Hank Hsu	06/26/2013	MINI SAS HD INTEGRATED CONNECTOR 0.75 PITCH, R/A, PRESS FIT TYPE	UNIT	mm	SIZE	A3	PART No.	G40H1XXXXHR
ANGULAR ±2°	CHECKED	Sondra Sang	06/26/2013		SCALE	NA	SHEET	2 OF 2	DWG No.	G40H1XXXXHR
UNLESS OTHERWISE SPECIFIED	DWG TYPE	CUST DWG	PROJECT CODE		1514	REV.	B			